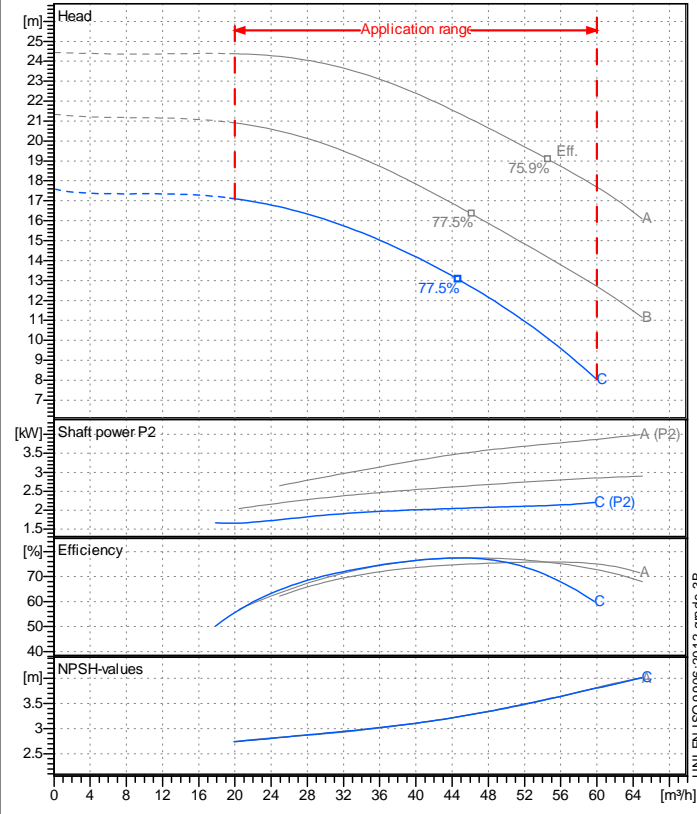


Company name  
 Respons. Department  
 Person in charge  
 Phone number  
 Fax no  
 E-mail address

Receiver	From
	SAER ELETROPOMPE SPA



### Operating data specification

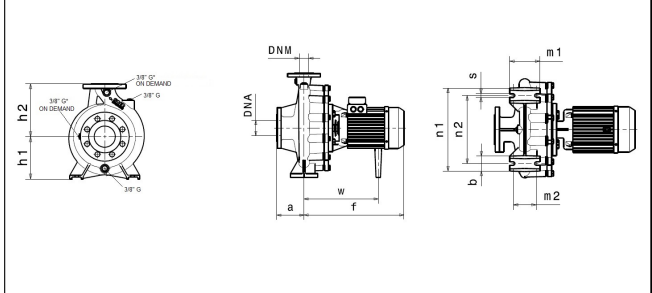
Nominal flow	m³/h 0
Nominal head	m 0
Static head	m 0
NPSH - v value of plant	m 0
Inlet pressure	bar 0.09793
Fluid	Water, pure
Operating temperature t A	°C 20
Density at t A	kg/dm³ 0.9983
Kin. viscosity at t A	mm²/s 1.005

Pump		
Pump name	IR50-125C	
Size	65/50/125	
MEI (Reg. 547/2002 EU) >	0,6	
Speed 1/min	2900	
No of stages	1	
Impeller type		
Flow	Nominal	m³/h
	Max-	m³/h 60
	Min-	m³/h 20
Head	Nominal	m
	Max-	m 17.1
	Min-	m 8.03
Head H(Q=0)	m 17.6	
NPSH 3%	m	
Max. working pressure	bar 1.72	
Shaft power	kW	
Efficiency	%	
Max absorbed power	kW 2.204	

Materials Pump	
Shaft	Stainless steel AISI 431 (1.4057)
Impeller	Cast iron EN-GJL-250
Pump body	Cast iron EN-GJL-250
Seal disc	Cast iron EN-GJL-250
Gasket	Natural fiber
Mechanical seal	BVEG (Grafite/Ossido Allumina/EPDM)

Dimensions in mm			
a	100	DNM	DNA
b	50	C	102
f	372	D	165
h1	132	DN	50
h2	160	K	125
m1	100	n°	4 x 19 mm
m2	70		4 x 19 mm
n1	240		
n2	190		
s	14		
w	273		

Motor		Manufacturer / Type		SAER 90-2P-3	
Efficiency	IEC 60034-30	IE2		Efficiency 4/4	83.2 %
Rated power	kW 2.2			Frame size	90
Number of poles	2			Speed	1/min 2867
Electric current	A 4.4 A			3~	Hz 50
Electric voltage	V 400 V				
Starting mode	Star-delta				
Degree of protection	IP 55	Insulation class		F	



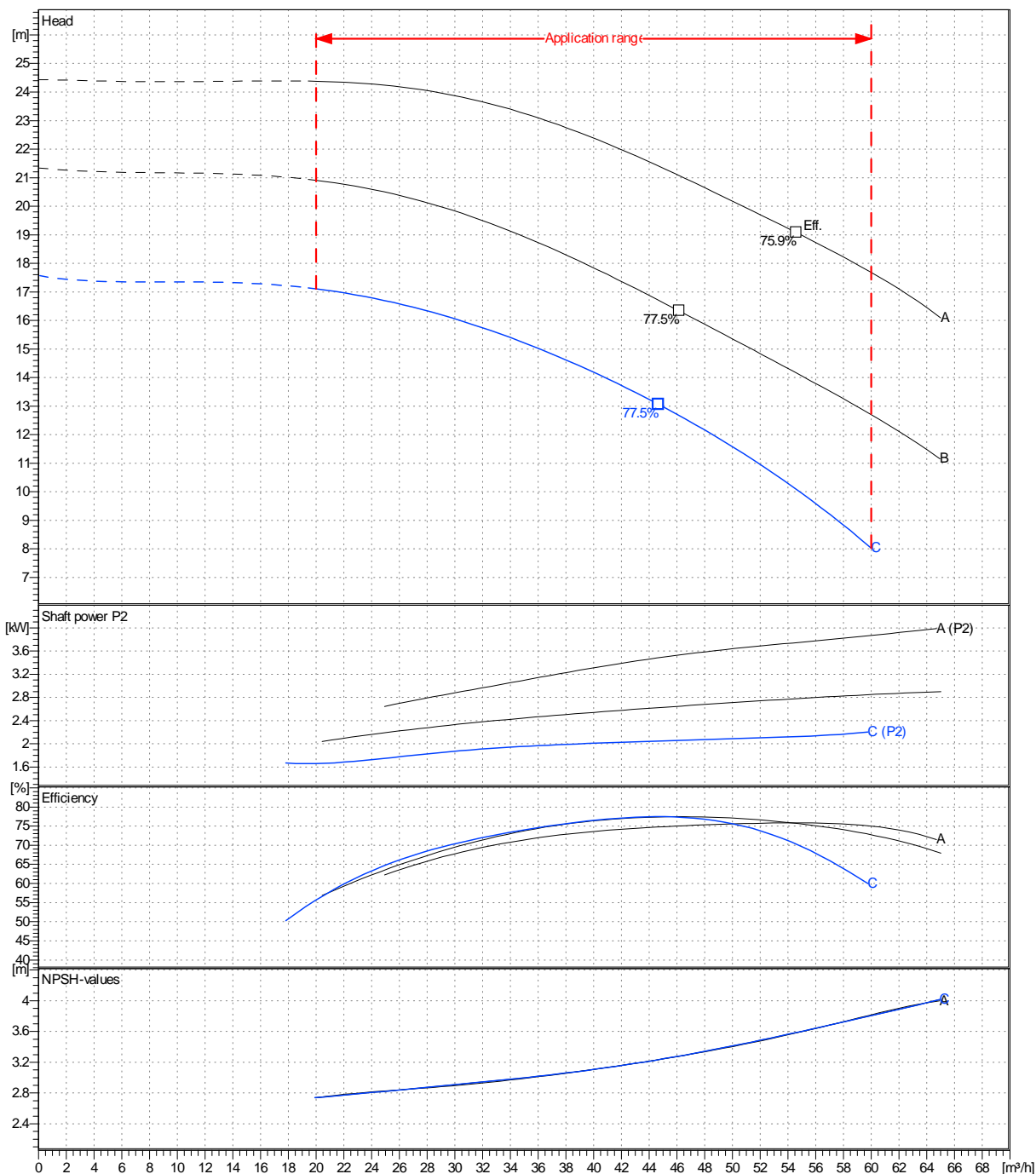
Remarks:					
Project	Project ID	Created by	Created on	Last update	
			<b>2020-07-08</b>		

<b>Receiver</b>	<b>From</b>
Company name	SAER ELETTROPOMPE SPA
Respons. Department	
Person in charge	
Phone number	
Fax no	
E-mail address	

Operating area	Flow	Head	Impeller type
Operating data specification	0 m <sup>3</sup> /h	0 m	Impeller construction: Closed
Pump data	m <sup>3</sup> /h	m	Sense of rotation: Clockwise from the drive end
			Outlet width: DN50
	Flow	Head	Shaft power P2
	Min. Max. $\eta$ Max.	H(Q=0) $\eta$ Max.	P2(Q=0) Max. $\eta$ Max.
	m <sup>3</sup> /h m <sup>3</sup> /h m <sup>3</sup> /h	m m	kW kW kW
	20 60 44.7	17.6 13.1	2.2 2.05
			Speed: 1/min 2900
			Frequency: Hz 50 Hz

Performance data based to: Water, pure [100%] ; 20°C; 0.998kg/dm<sup>3</sup>; 1mm<sup>2</sup>/s

UNI EN ISO 9906:2012 - Grade 3B



Project	Project ID	Created by	Created on	Last update
			2020-07-08	

Revision no

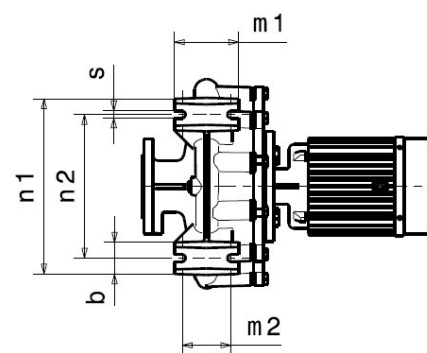
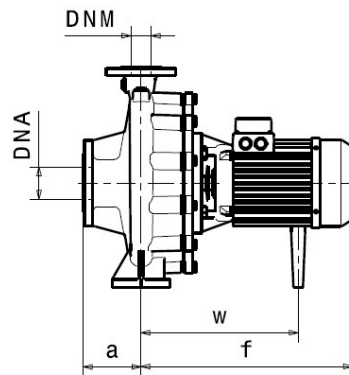
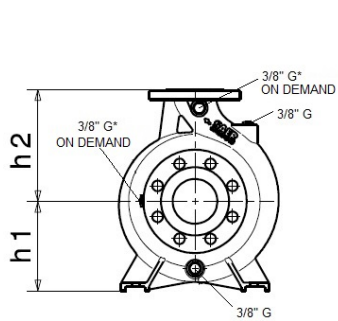
SAER ELETTROPOMPE SPA

Pump dimensions

Connections

Suction side	Discharge port
DN65	DN50
PN10 / PN16	PN10 / PN16

Dimensions in mm



Disegni dimensionali e immagini non vincolanti. Saer si riserva il diritto di effettuare cambiamenti senza alcun preavviso. Dimensional drawing and picture are not binding. Saer reserves the right to make changes without prior notice.

100
50
372
132
160
100
70
240
190
14
273

Project

Project ID

Created by

Created on  
2020-07-08

Last update