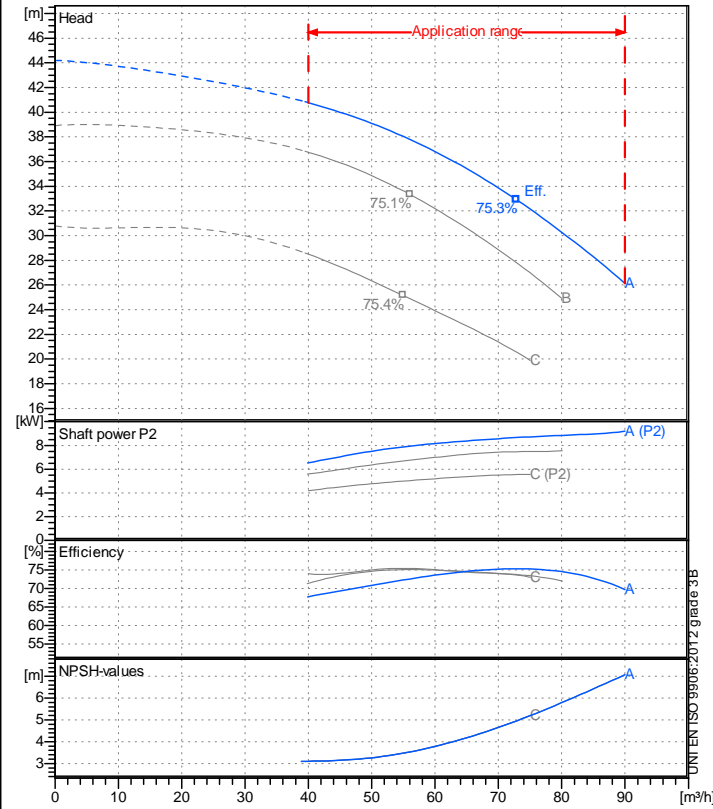


Receiver

From

 Company name
 Respons. Department
 Person in charge
 Phone number
 Fax no
 E-mail address

Operating data specification

Nominal flow	m ³ /h 0
Nominal head	m 0
Static head	m 0
NPSH - v alue of plant	m 0
Inlet pressure	bar 0.09793
Fluid	Water, pure
Operating temperature t A	°C 20
Density at t A	kg/dm ³ 0.9983
Kin. viscosity at t A	mm ² /s 1.005

Pump

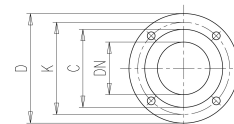
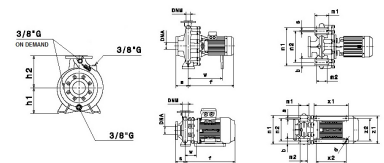
Pump name	IR50-160NA		
Size	65/50/160		
Design	0,4		
Speed 1/min	2900	No of stages	1
Impeller type			
Flow	Nominal	m ³ /h	
	Max-	m ³ /h	90
	Min-	m ³ /h	40
Head	Nominal	m	
	Max-	m	40.8
	Min-	m	26.1
Head H(Q=0)	m	44.2	
NPSH 3%	m		
Max. working pressure	bar	4.33	
Shaft power	kW		
Efficiency	%		
Max absorbed power	kW	9.1906	

Materials Pump

Shaft	Stainless steel AISI 431 (1.4057)
Impeller	Cast iron EN-GJL-250
Pump body	Cast iron EN-GJL-250
Seal disc	Cast iron EN-GJL-250
Gasket	Natural fiber
Mechanical seal	BVEG (Grafite/Ossido Allumina/EPDM)

Dimensions in mm

a	100
b	50
d	12
f	504
h1	160
h2	180
m1	100
m2	71
n1	265
n2	212
s	13
w	108
x1	320
x2	280
z1	261
z2	216



C	102	C	122
D	165	D	185
DN	50	DN	65
K	125	K	145
n°	4 x 19 mm	n°	4 x 19 mm

Motor	Frame size	132		
Manufacturer / Type	SAER	132-2P-12,5		
Rated power	kW	9.2	Efficiency 4/4	91.3 %
Electric current	A	17.3 A	Speed	1/min 2949
Electric voltage	V	400 V	3~	Hz 50
Starting mode	Unknown			
Degree of protection	IP 55	Insulation class	F	

Remarks:

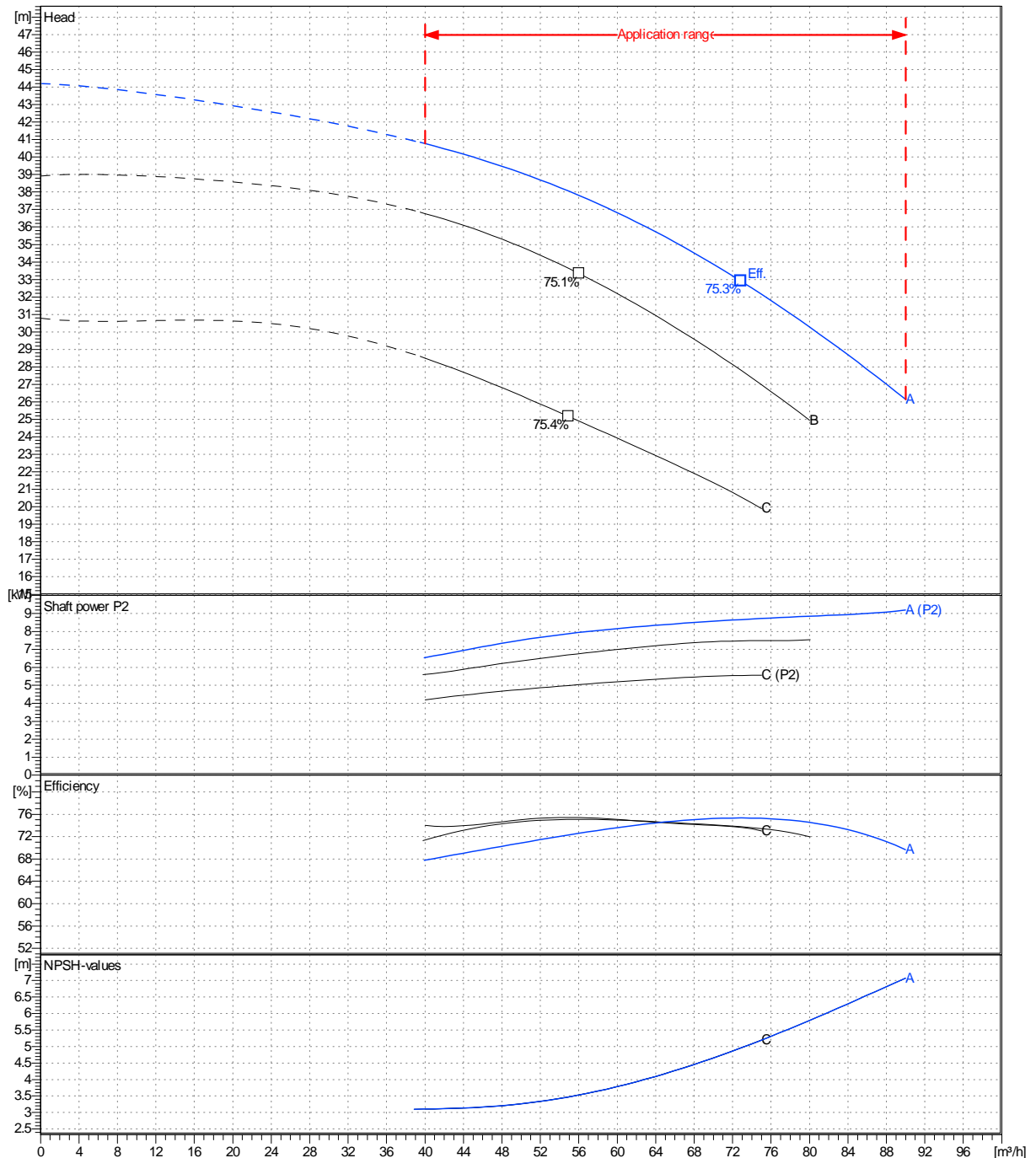
Project	Project ID	Created by	Created on	Last update
			2021-08-05	

Receiver	From
Company name	
Respons. Department	
Person in charge	
Phone number	
Fax no	
E-mail address	

Operating area	Flow	Head	Impeller type
Operating data specification	0 m ³ /h	0 m	Impeller construction
Pump data	m ³ /h	m	Sense of rotation
			Clockwise from the drive end
			Outlet width
			DN50
	Flow	Head	Shaft power P2
	Min. Max. η Max.	H(Q=0) η Max.	P2(Q=0) Max. η Max.
	m ³ /h m ³ /h m ³ /h	m m	kW kW kW
	40 90 72.9	44.2 32.9	9.19 8.66
			Speed
			1/min 2900
			Frequency
			Hz 50 Hz

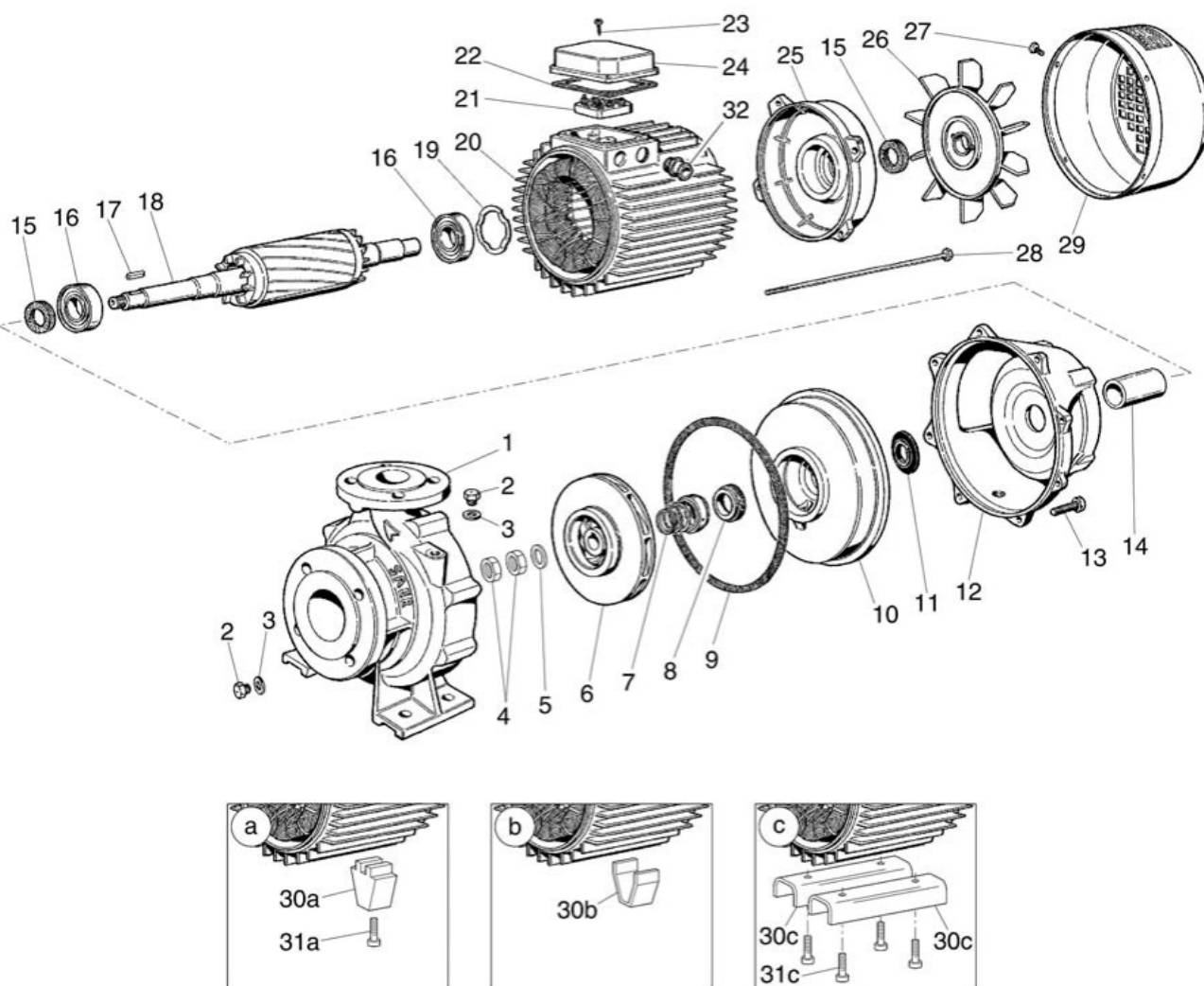
 Performance data based to: Water, pure [100%]; 20°C; 0.998kg/dm³; 1mm²/s

UNI EN ISO 9906:2012 - Grade 3B



Project	Project ID	Created by	Created on	Last update
			2021-08-05	

Company name
Respons. Department
Person in charge
Phone number
Fax no
E-mail address



Project

Project ID

Created by

Created on
2021-08-05

Last update