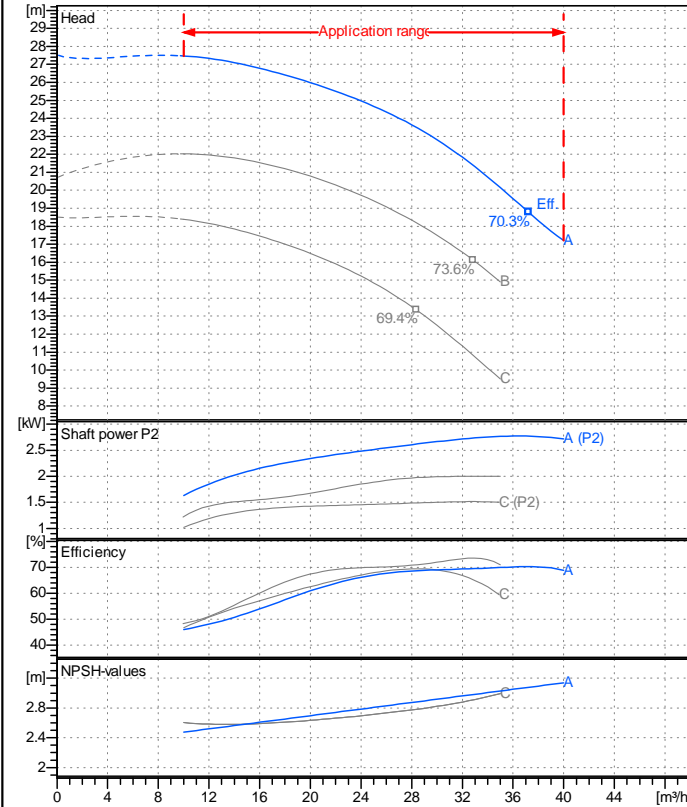


Receiver

From

 Company name
 Respons. Department
 Person in charge
 Phone number
 Fax no
 E-mail address

SAER ELETTROPOMPE SPA



Operating data specification

Nominal flow	m ³ /h 0
Nominal head	m 0
Static head	m 0
NPSH - v value of plant	m 0
Inlet pressure	bar 0.09793
Fluid	Water, pure
Operating temperature t A	°C 20
Density at t A	kg/dm ³ 0.9983
Kin. viscosity at t A	mm ² /s 1.005

Pump

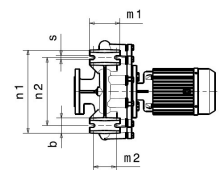
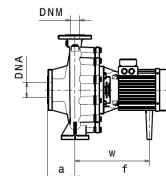
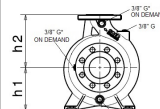
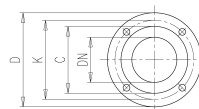
Pump name	IRX40-125A		
Size	65/40/125		
MEI (Reg. 547/2002 EU) >	0,1		
Speed 1/min	2900	No of stages	1
Impeller type			
Flow	Nominal	m ³ /h	
	Max-	m ³ /h 40	
	Min-	m ³ /h 10	
Head	Nominal	m	
	Max-	m 27.5	
	Min-	m 17.2	
Head H(Q=0)	m 27.5		
NPSH 3%	m		
Max. working pressure	bar 2.69		
Shaft power	kW		
Efficiency	%		
Max absorbed power	kW 2.7725		

Materials Pump

Shaft	Duplex Stainless steel (1.4362)
Impeller	Precision cast Stainless steel AISI 316 (1.4408)
Pump body	Cast Stainless steel AISI 316 (1.4408)
Seal disc	Cast Stainless steel AISI 316 (1.4408)
Gasket	Natural fiber
Mechanical seal	Q1Q1VG (SiC/SiC/FPM rubber)

Dimensions in mm

a	80	DNM		DNA	
b	50	C	88	C	122
h1	112	D	150	D	185
h2	140	DN	40	DN	65
m1	100	K	110	K	145
m2	70	n°	4 x 19 mm	n°	8 x 19 mm
n1	210				
n2	160				
s	14				



Motor	Manufacturer / Type	SAER	100-2P-4	
Efficiency	IEC 60034-30	IE2		
Rated power	kW 3	Efficiency 4/4	85 %	
Number of poles	2	Frame size	100	
Electric current	A 6.6 A	Speed	1/min	2860
Electric voltage	V 380 V	3~	Hz	50
Starting mode	Unknown			
Degree of protection	IP 55	Insulation class	F	

Remarks:

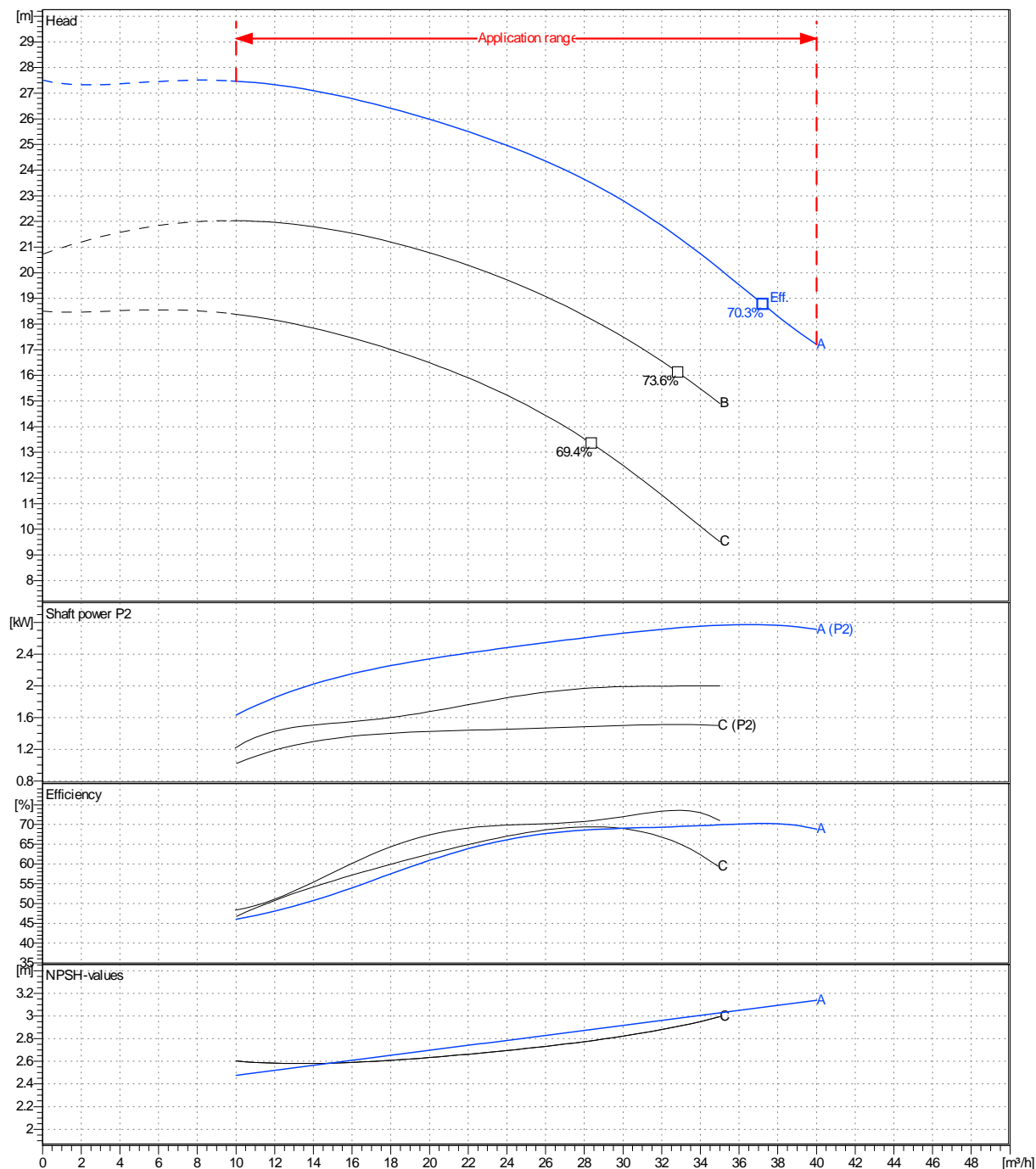
Project	Project ID	Created by	Created on	Last update
			2020-07-08	

Receiver	From
Company name	SAER ELETTROPOMPE SPA
Respons. Department	
Person in charge	
Phone number	
Fax no	
E-mail address	

Operating area	Flow	Head	Impeller type
Operating data specification	0 m ³ /h	0 m	Impeller construction
Pump data	m ³ /h	m	Sense of rotation
			Clockwise from the drive end
			Outlet width
			DN40
	Flow	Head	Shaft power P2
	Min. Max. η Max.	H(Q=0) η Max.	P2(Q=0) Max. η Max.
	m ³ /h m ³ /h m ³ /h	m m	kW kW kW
	10 40 37.2	27.5 18.8	2.77 2.77
			Speed
			1/min 2900
			Frequency
			Hz 50 Hz

Performance data based to: Water, pure [100%]; 20°C; 0.998kg/dm³; 1mm²/s

UNI EN ISO 9906:2012 - Grade 3B



Project	Project ID	Created by	Created on	Last update
			2020-07-08	

Revision no

SAER ELETTROPOMPE SPA

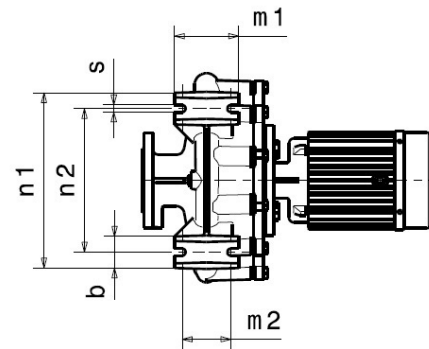
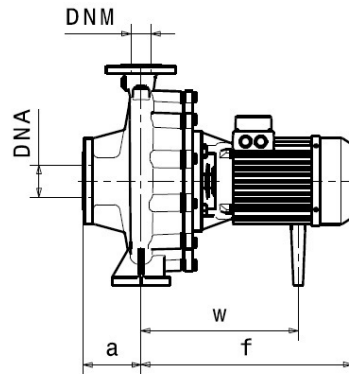
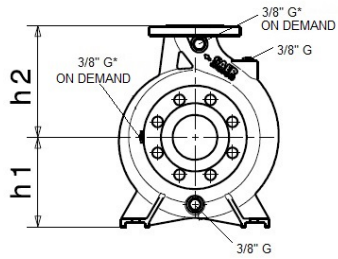
Pump dimensions

Connections

Suction side	Discharge port
DN65	DN40
PN10/PN16	PN10/PN16

Dimensions in mm

Disegni dimensionali e immagini non vincolanti. Saer si riserva il diritto di effettuare cambiamenti senza alcun preavviso.
Dimensional drawing and pictures are not binding. Saer reserves the right to make changes without prior notice.



h1	80		
h2	50		
m1	112		
m2	140		
n1	100		
n2	70		
b	210		
s	160		
m1	14		
m2			

Project

Project ID

Created by

Created on
2020-07-08

Last update