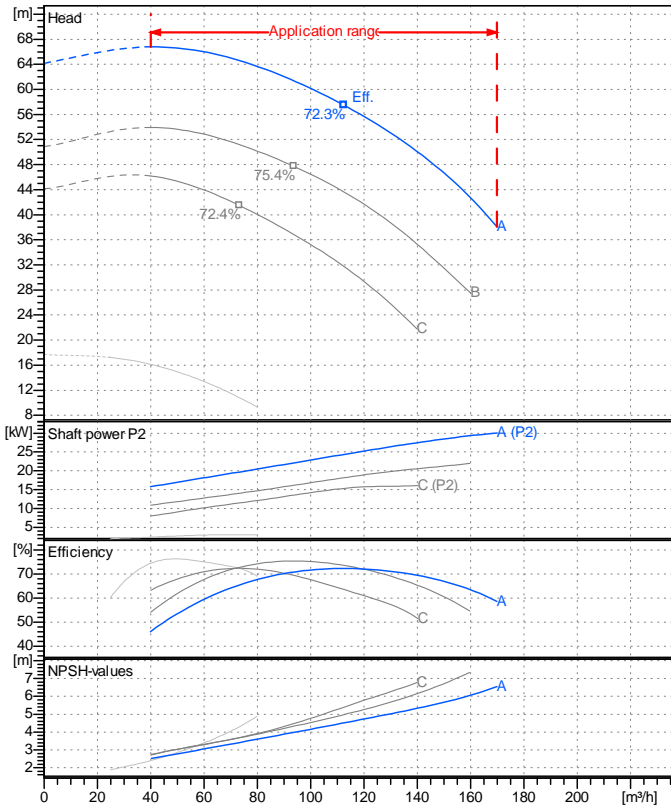


Receiver

From

 Company name
 Respons. Department
 Person in charge
 Phone number
 Fax no
 E-mail address

SAER ELETTROPOMPE SPA



UNI EN ISO 9906:2012 - Grade 3B

Operating data specification

Nominal flow	m ³ /h 0
Nominal head	m 0
Static head	m 0
NPSH - v value of plant	m 0
Inlet pressure	bar 0.09793
Fluid	Water, pure
Operating temperature t A	°C 20
Density at t A	kg/dm ³ 0.9983
Kin. viscosity at t A	mm ² /s 1.005

Pump

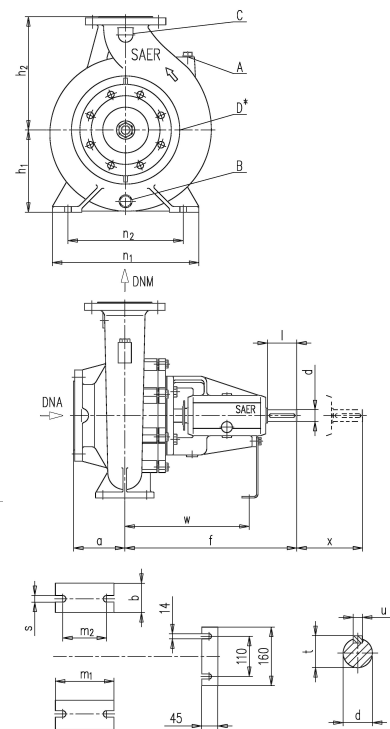
Pump name	NCB 65-200N A		
Size	80/65/200		
Design			
Speed 1/min	2900	No of stages	1
Impeller type			
Flow	Nominal	m ³ /h	
	Max-	m ³ /h	170
	Min-	m ³ /h	40
Head	Nominal	m	
	Max-	m	66.8
	Min-	m	38.1
Head H(Q=0)	m		64.2
NPSH 3%	m		
Max. working pressure	bar		6.28
Shaft power	kW		
Efficiency	%		
Max absorbed power	kW		30.054

Materials Pump

Shaft	Stainless steel AISI 431 (1.4057)		
Impeller	Cast iron EN-GJL-250		
Pump body	Cast iron EN-GJL-250		
Seal disc	Cast iron EN-GJL-250		
Gasket	Natural fiber		
Mech. seal EN 12756			
Seal face	Tungsten carbide (Widia)		
Seat	Tungsten carbide (Widia)		
Rubber elements	FPM rubber		
Spring and metal bellows	Stainless steel AISI 316		
Motor	Frame size		
Manufacturer / Type			
Rated power	kW	Efficiency	4/4
Electric current	A	Speed	1/min
Electric voltage	V		Hz
Starting mode			
Degree of protection			Insulation class

Dimensions in mm

a	100	n2	250
A	3/8"	s	14
B	3/8"	t	26.9
b	65	u	8
C	1/4"	w	260
d k6	24	x	140
D	3/8"		
DNA	DN 80		
DNM	DN 65		
f	360		
h1	180		
h2	225		
l	50		
m1	125		
m2	95		
n1	320		



C	122	C	138
D	185	D	200
DN	65	DN	80
K	145	K	160
n°	4	n°	4
on	19	on	19

Remarks:

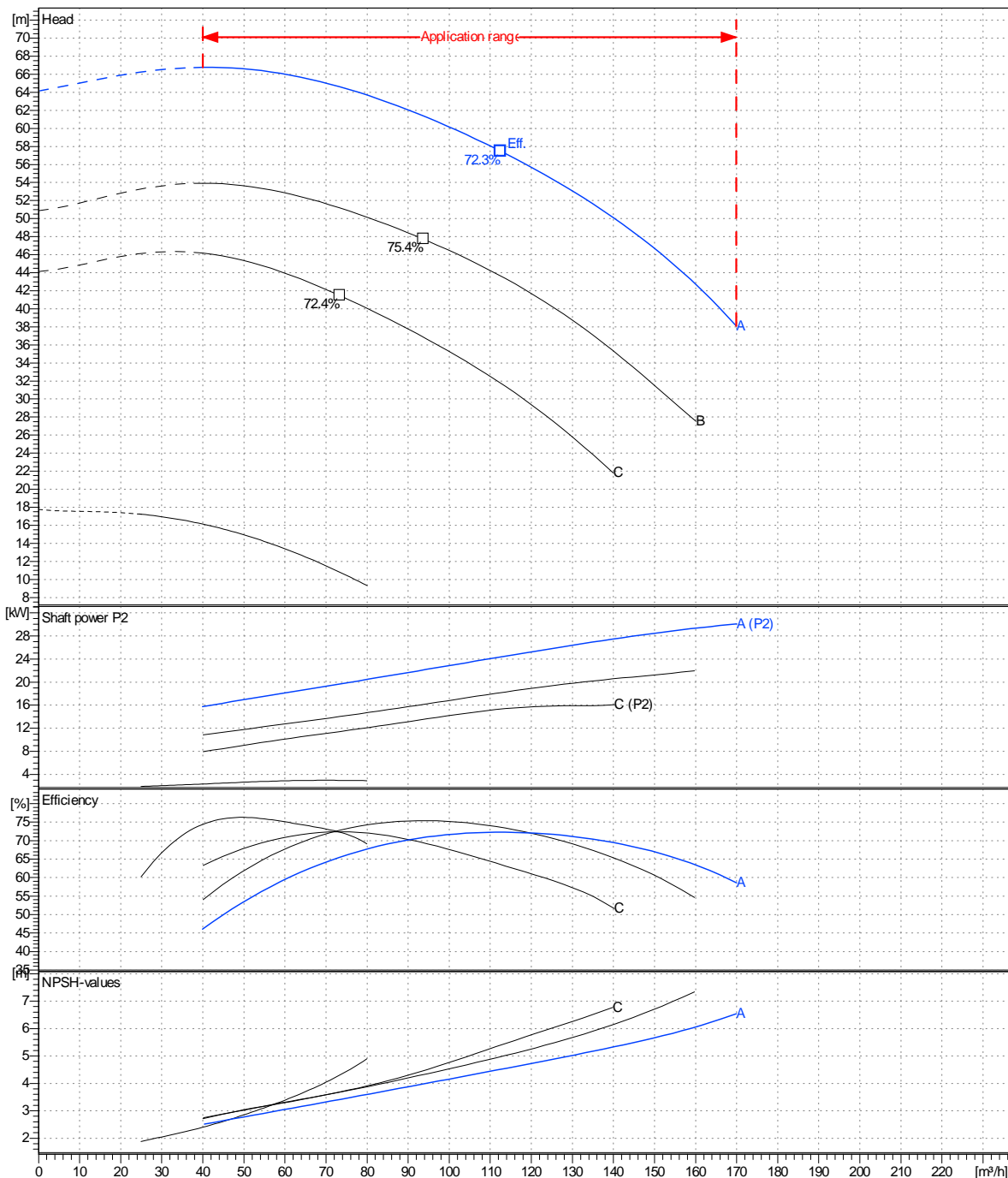
Project	Project ID	Created by	Created on	Last update
			2020-07-08	

Receiver	From
Company name	SAER ELETTROPOMPE SPA
Respons. Department	
Person in charge	
Phone number	
Fax no	
E-mail address	

Operating area	Flow	Head	Impeller type
Operating data specification	0 m ³ /h	0 m	Impeller construction
Pump data	m ³ /h	m	Sense of rotation
			Clockwise from the drive end
			Outlet width
			DN 65
	Flow	Head	Shaft power P2
	Min. Max. η Max.	H(Q=0) η Max.	P2(Q=0) Max. η Max.
	m ³ /h m ³ /h m ³ /h	m m	kW kW kW
	40 170 113	64.2 57.5	30.1 24.4
			Speed
			1/min 2900
			Frequency
			Hz

Performance data based to: Water, pure [100%]; 20°C; 0.998kg/dm³; 1mm²/s

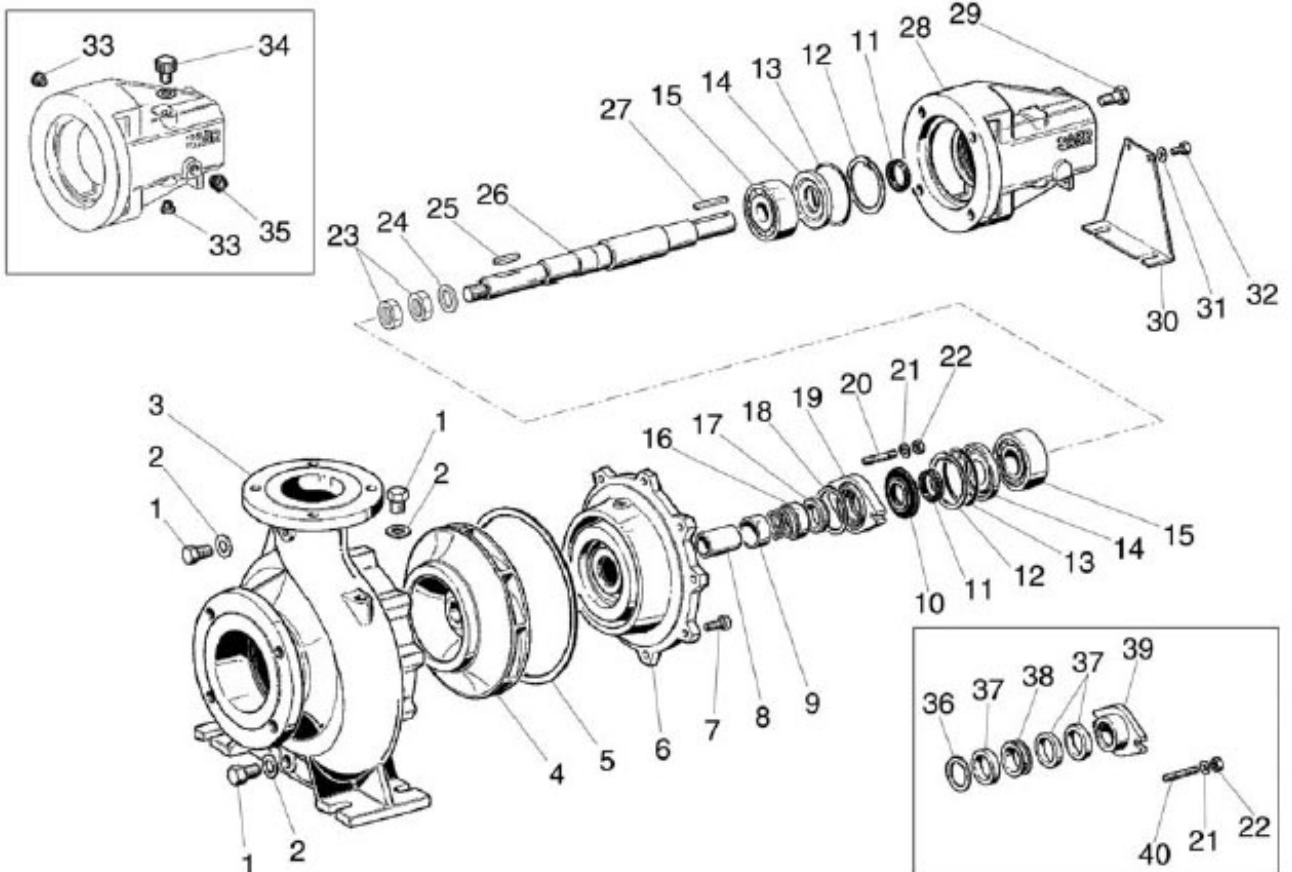
UNI EN ISO 9906:2012 - Grade 3B



Project	Project ID	Created by	Created on	Last update
			2020-07-08	

Company name
Respons. Department
Person in charge
Phone number
Fax no
E-mail address

SAER ELETTROPOMPE SPA



Project

Project ID

Created by

Created on
2020-07-08

Last update