

Receiver

From

Society
Reference
Address
Phone
Fax
E-mail

Item n° :

60196308

Model :

FEKA 600 T-NA 40th - 10m

Pump data

Free passage : 25 mm
Aspiration level minimum : 38 mm
Max. immersion depth : 7 m
Min. fluid temperature : 0 °C
Max. fluid temperature : 35 °C

Requested data

Flow :
Head :
Fluid : Water
Fluid Temperature : 20 °C
Density : 998,3 kg/m³
Kinematic viscosity : 1,005 mm²/s
Vapor pressure : 2,34 kPa

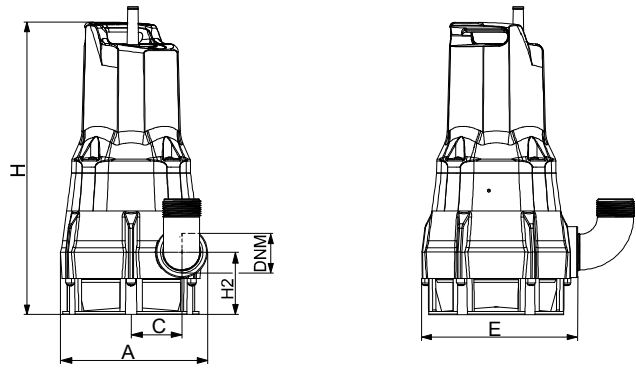
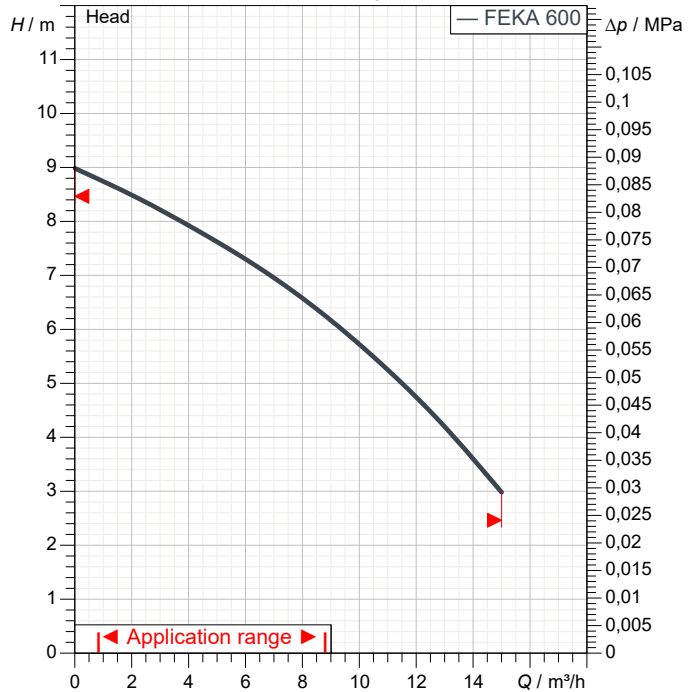
Hydraulic data (duty point)

Flow :
Head :

Materials

Pump body : Technopolymer
Impeller : Technopolymer
OR ring : NBR Rubber
Rotor shaft : Stainless Steel AISI 431
Suction strainer : Technopolymer
Motor top body : AISI 304 X5 Cr Ni 1810 UNI 6900/71

Curve tolerance according to ISO 9906



Motor data

Motor brand : DAB
Nominal power P2 : 0,5 kW
Rated voltage : 3~ 400 V 50 Hz
Nominal current : 1,8 A
Degree of protection : IP 68
Cable length m : 10

Weight : 4,6 kg

Dimensions in mm

Dimension	Value (mm)				
A	163				
C	56				
DNM	1"1/4 G				
E	174				
H	349				
H2	71				

Pump connection

Suction side : /
Discharge side : 1" 1/4 G / --



PERFORMANCE CURVES

2020-08-2€

Page 2 / 3

DAB PUMPS S.p.A.
Via Marco Polo, 14 - 35035 Mestrino (PD), Italy
Tel. +39 049 5125000 - Fax +39 049 5125950
www.dabpumps.com

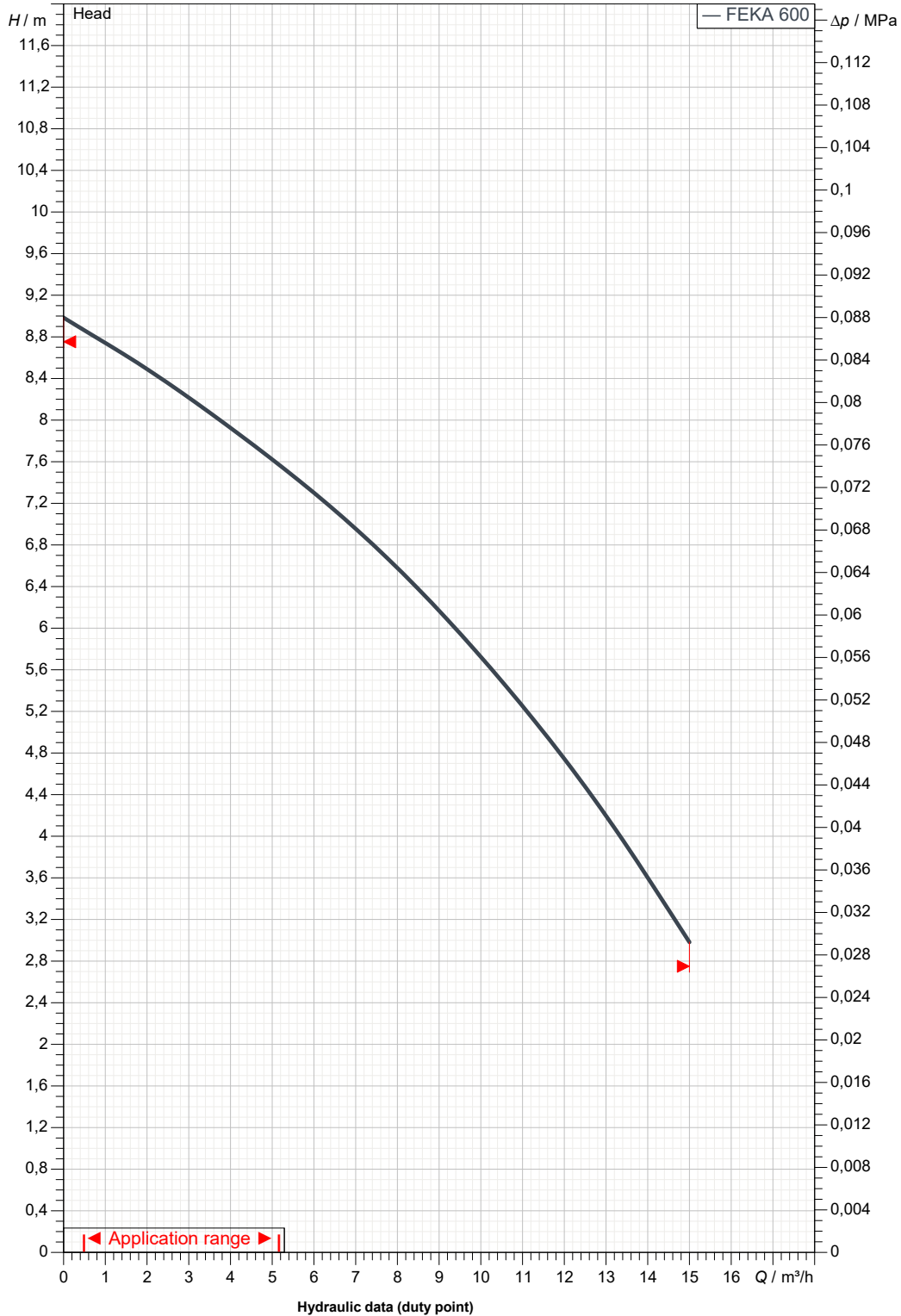
Receiver

From

Society
Reference
Address
Phone
Fax
E-mail

FEKA 600 T-NA 40th - 10m

Curve tolerance according to ISO 9906



Suction side :

Discharge side :
1" 1/4 G
--

Flow :

Head :

Rated speed :
2.900 1/min

MAIN_PROJECT_TITLE

BUSINESS_PROCESS_IT

OWNER_

ISSUE_DATE



DIMENSIONAL DRAWING

2020-08-2€

Page 3 / 3

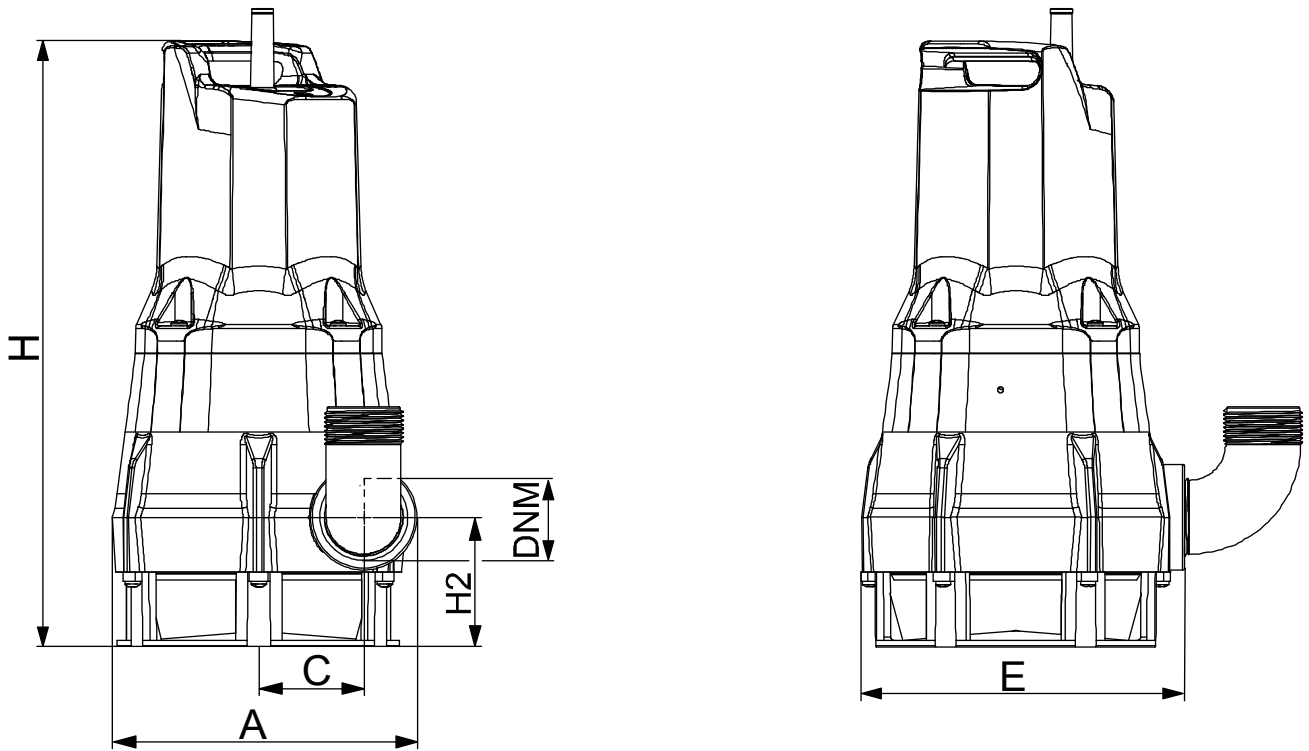
DAB PUMPS S.p.A.
Via Marco Polo, 14 - 35035 Mestrino (PD), Italy
Tel. +39 049 5125000 - Fax +39 049 5125950
www.dabpumps.com

Receiver

From

Society
Reference
Address
Phone
Fax
E-mail

FEKA 600 T-NA 40th - 10m



Dimensions in mm

Pump connection

1	A	163							
2	C	56							Suction
3	DNM	1"1/4 G							
4	E	174							
5	H	349							Discharge
6	H2	71							1" 1/4 G
7									--
8									
9									
10									
11									
12									

MAIN_PROJECT_TITLE

BUSINESS_PROCESS_ID

OWNER_

ISSUE_DATE