

# Max™ & UltraMax™ SERIES



## SPECIFICATIONS Max™ Series Models (16 bar)

| BSP                            | NPT       | Connec-tion | Nominal Volume |      | Shipping (box) Volume |      | Shipping (box) Weight |       | Dimensions |        |       |        |       |        |
|--------------------------------|-----------|-------------|----------------|------|-----------------------|------|-----------------------|-------|------------|--------|-------|--------|-------|--------|
|                                |           |             | liter          | gal  | m³                    | ft³  | kg                    | lbs   | A          |        | B     |        | C     |        |
|                                |           | BSP / NPT   |                |      |                       |      |                       |       | cm         | inches | cm    | inches | cm    | inches |
| <b>Inline Models</b>           |           |             |                |      |                       |      |                       |       |            |        |       |        |       |        |
| MXB-2LX*                       | MXN-2LX*  | 1"          | 2              | 0.5  | 0.06                  | 2.12 | 13.51                 | 29.78 | 20.90      | 8.23   | 12.60 | 4.96   |       |        |
| MXB-8LX                        | MXN-8LX   | 1"          | 8              | 2.1  | 0.014                 | 0.49 | 2.96                  | 6.53  | 31.30      | 12.32  | 20.20 | 7.95   |       |        |
| MXB-12LX                       | MXN-12LX  | 1"          | 12             | 3.2  | 0.023                 | 0.81 | 3.20                  | 7.05  | 36.81      | 14.49  | 23.00 | 9.06   |       |        |
| MXB-18LX                       | MXN-18LX  | 1"          | 18             | 4.7  | 0.03                  | 1.06 | 4.85                  | 10.69 | 36.81      | 14.49  | 27.90 | 10.98  |       |        |
| MXB-24LX                       | MXN-24LX  | 1"          | 24             | 6.3  | 0.042                 | 1.48 | 6.27                  | 13.82 | 44.70      | 17.60  | 29.00 | 11.42  |       |        |
| MXB-35LX                       | MXN-35LX  | 1"          | 35             | 9.2  | 0.06                  | 1.95 | 8.73                  | 19.25 | 48.10      | 18.90  | 31.80 | 12.52  |       |        |
| <b>Vertical Models w/ base</b> |           |             |                |      |                       |      |                       |       |            |        |       |        |       |        |
| MXB-60LV                       | MXN-60LV  | 1"          | 60             | 15.8 | 0.098                 | 3.46 | 14.84                 | 32.72 | 62.00      | 24.41  | 39.00 | 15.35  | 12.70 | 5.00   |
| MXB-80LV                       | MXN-80LV  | 1"          | 80             | 21.0 | 0.13                  | 4.59 | 20.32                 | 44.80 | 81.50      | 32.09  | 39.00 | 15.35  | 12.70 | 5.00   |
| MXB-100LV                      | MXN-100LV | 1"          | 100            | 26.3 | 0.16                  | 5.65 | 26.30                 | 57.98 | 80.40      | 31.65  | 43.10 | 16.97  | 12.90 | 5.08   |

\* Volume and weight for MXB-2LX and MXN-2LX mentioned for a box with 12 pieces.

All connections are made of stainless steel. Tank precharge: 4.0 bar / 58 psi

Maximum working pressure: 16 bar / 232 psi. Maximum working temperature: 90°C / 194°F

Note: Minor dimensional variation may occur

## FEATURES

- Suitable for many high-pressure applications
- Super thick steel construction
- Patented stainless steel water connection
- Virgin polypropylene liner
- Two part polyurethane, epoxy primed paint finish
- Leak free, o-ring sealed air valve cap
- Comprehensive testing
- No maintenance
- Single diaphragm design
- Available in 16 bar and 25 bar maximum pressure

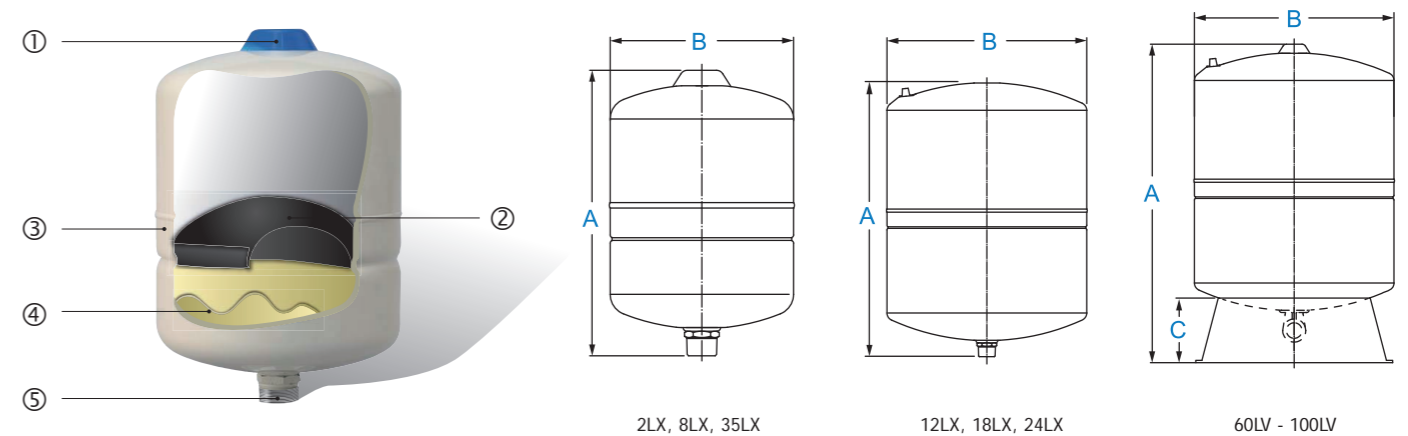
## SPECIFICATIONS UltraMax™ Series Models (25 bar)

| BSP                            | NPT       | Connection | Nominal Volume |      | Shipping (box) Volume |      | Shipping (box) Weight |       | Dimensions |        |       |        |      |        |
|--------------------------------|-----------|------------|----------------|------|-----------------------|------|-----------------------|-------|------------|--------|-------|--------|------|--------|
|                                |           |            | liter          | gal  | m³                    | ft³  | kg                    | lbs   | A          |        | B     |        | C    |        |
|                                |           |            |                |      |                       |      |                       |       | cm         | inches | cm    | inches | cm   | inches |
| <b>Inline Models</b>           |           |            |                |      |                       |      |                       |       |            |        |       |        |      |        |
| UMB-8LX                        | UMN-8LX   | 1"         | 8              | 2.1  | 0.014                 | 0.49 | 3.16                  | 6.97  | 31.30      | 12.32  | 20.30 | 7.99   |      |        |
| UMB-24LX                       | UMN-24LX  | 1"         | 24             | 6.3  | 0.042                 | 1.48 | 8.04                  | 17.72 | 44.70      | 17.60  | 29.30 | 11.54  |      |        |
| <b>Vertical Models w/ base</b> |           |            |                |      |                       |      |                       |       |            |        |       |        |      |        |
| UMB-100LV                      | UMN-100LV | 1"         | 100            | 26.3 | 0.16                  | 5.69 | 36.81                 | 81.15 | 81.3       | 32.24  | 43.5  | 17.13  | 12.9 | 5.08   |

All connections are made of stainless steel. Tank precharge: 4.0 bar / 58 psi

Maximum working pressure: 25 bar / 362 psi. Maximum working temperature: 90°C / 194°F

Note: Minor dimensional variation may occur



- ① Leak free, o-ring sealed air valve cap
- ② Single diaphragm design
- ③ Two part polyurethane, epoxy primed paint finish
- ④ Virgin polypropylene liner
- ⑤ Patented stainless steel water connection

ISO:9001

CE

ACS Approved

WRAS APPROVED PRODUCT

NSF Certified to ANS/NSF 61

CCC