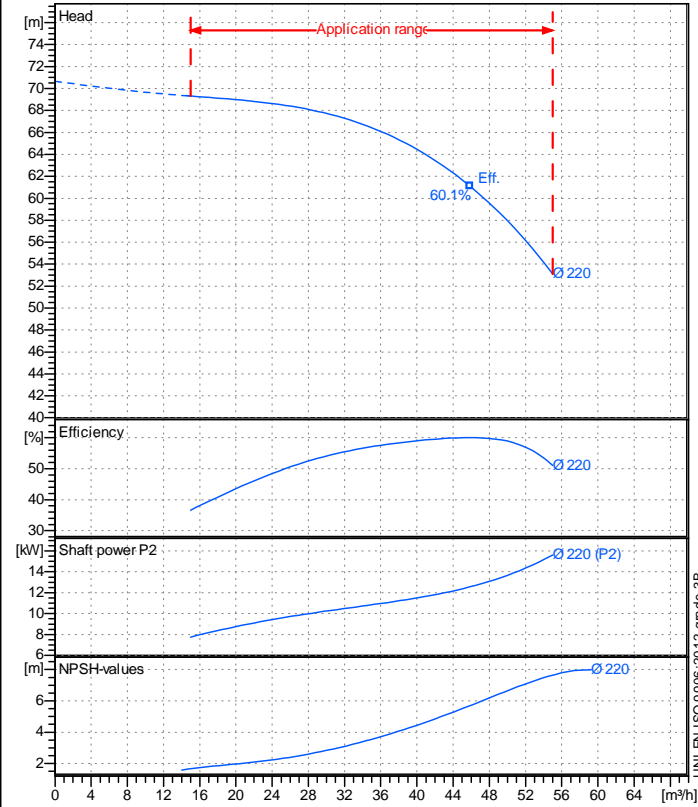


Receiver

From

 Company name  
 Respons. Department  
 Person in charge  
 Phone number  
 Fax no  
 E-mail address

**Operating data specification**

Nominal flow	m <sup>3</sup> /h 0
Nominal head	m 0
Static head	m 0
NPSH - v alue of plant	m 0
Inlet pressure	bar 0.09793
Fluid	Water, pure
Operating temperature t A	°C 20
Density at t A	kg/dm <sup>3</sup> 0.9983
Kin. viscosity at t A	mm <sup>2</sup> /s 1.005

**Pump**

Pump name		L-IVE2P-50-250NØ 220	
Size		440 mm	
Design		0,7	
Speed 1/min	2900	No of stages	1
Impeller type		Radial impeller	
Flow	Nominal	m <sup>3</sup> /h	
	Max-	m <sup>3</sup> /h	55
	Min-	m <sup>3</sup> /h	15
Head	Nominal	m	
	Max-	m	69.3
	Min-	m	53.1
Head H(Q=0)		m 70.6	
NPSH 3%		m	
Max. working pressure		bar 6.92	
Shaft power		kW	
Efficiency		%	
Max absorbed power		kW 15.623	

**Materials Pump**

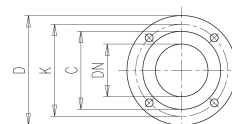
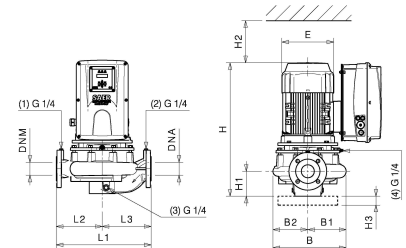
Shaft end	Stainless steel AISI 431 (1.4057)
Impeller	Cast iron EN-GJL-250
Pump body	Spheroidal Cast iron EN-GJS-500
Seal disc	Spheroidal Cast iron EN-GJS-500
Gasket	Aramidic fiber
Mechanical seal	AQ1EG(Gra+antimony /Sic/EPDM)

<b>Motor</b>	Manufacturer / Type	SAER	132-2P-20	
Efficiency	IEC 60034-30	IE2		
Rated power	kW 15	Efficiency 4/4	91.2 %	
Number of poles	2	Frame size	132	
Electric current	A 27.1 A	Speed	1/min	2936
Electric voltage	V 400 V	3~	Hz	50
Starting mode	Star-delta			
Degree of protection	IP 55	Insulation class	F	

Remarks:

**Dimensions in mm**

B	339
B1	173
B2	166
B4	370
E	260
F	290
G	M12
H	680
H1	115
H2	140
H3	40
L1	440
L2	215
L3	225



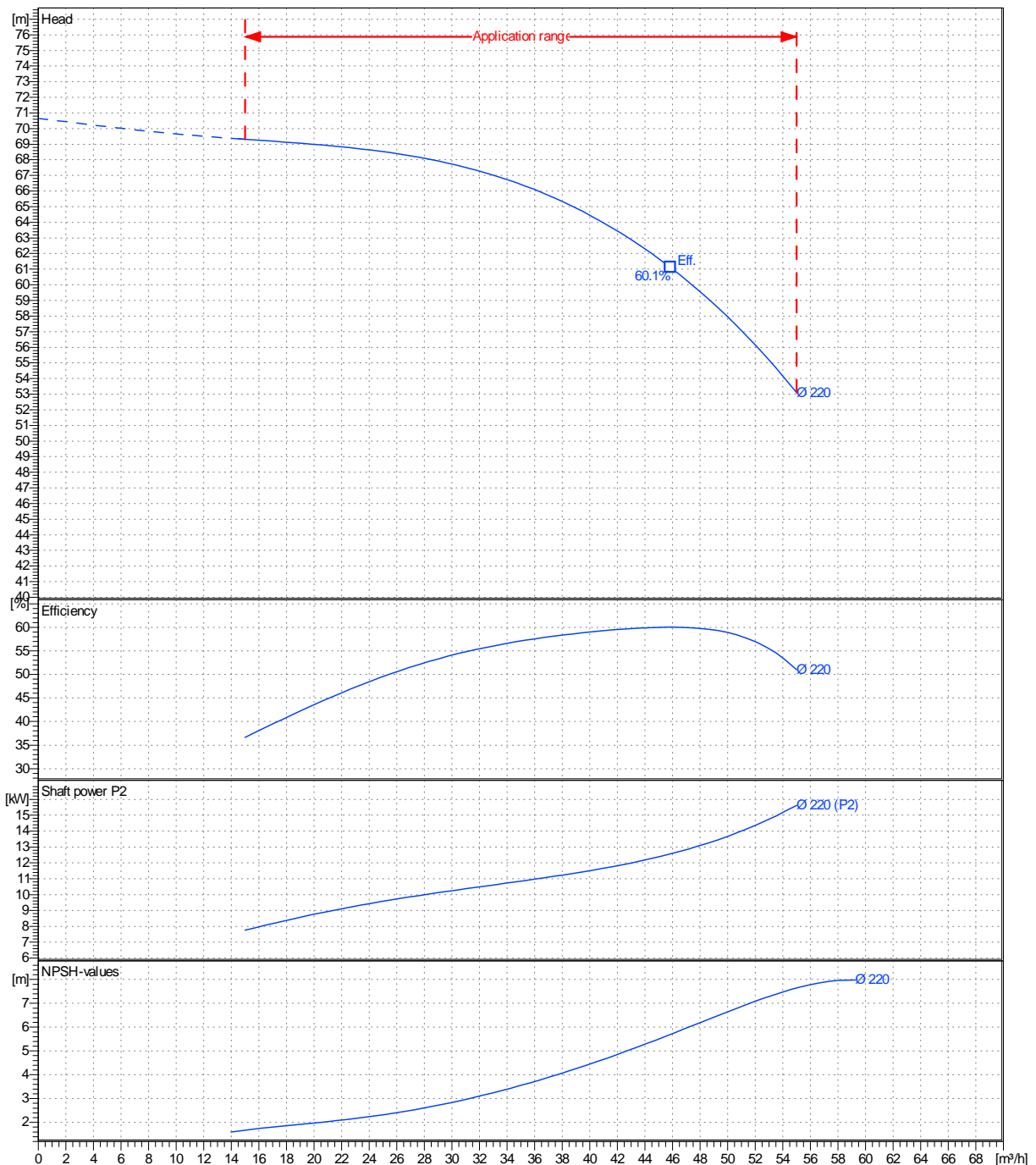
C	102	C	102
D	165	D	165
DN	50	DN	50
K	125	K	125
n°	4 x 19 mm	n°	4 x 19 mm

<b>Receiver</b>	<b>From</b>
Company name	
Respons. Department	
Person in charge	
Phone number	
Fax no	
E-mail address	

Operating area	Flow	Head	Impeller type	Radial impeller
Operating data specification	0 m <sup>3</sup> /h	0 m	Impeller construction	Closed
Pump data	m <sup>3</sup> /h	m	Sense of rotation	Clockwise from the drive end
			Outlet width	DN50
	Flow		Head	
	Min.	Max.	η <sub>Max.</sub>	H(Q=0)
	m <sup>3</sup> /h	m <sup>3</sup> /h	m <sup>3</sup> /h	m
	15	55	45.9	70.6
	Shaft power P2		Speed	
	Min.	Max.	η <sub>Max.</sub>	P2(Q=0)
	kW	kW	kW	kW
	15.6	12.6		
	Frequency			1/min
	50 Hz			2900

Performance data based to: Water, pure [100%] ; 20°C; 0.998kg/dm<sup>3</sup>; 1mm<sup>2</sup>/s

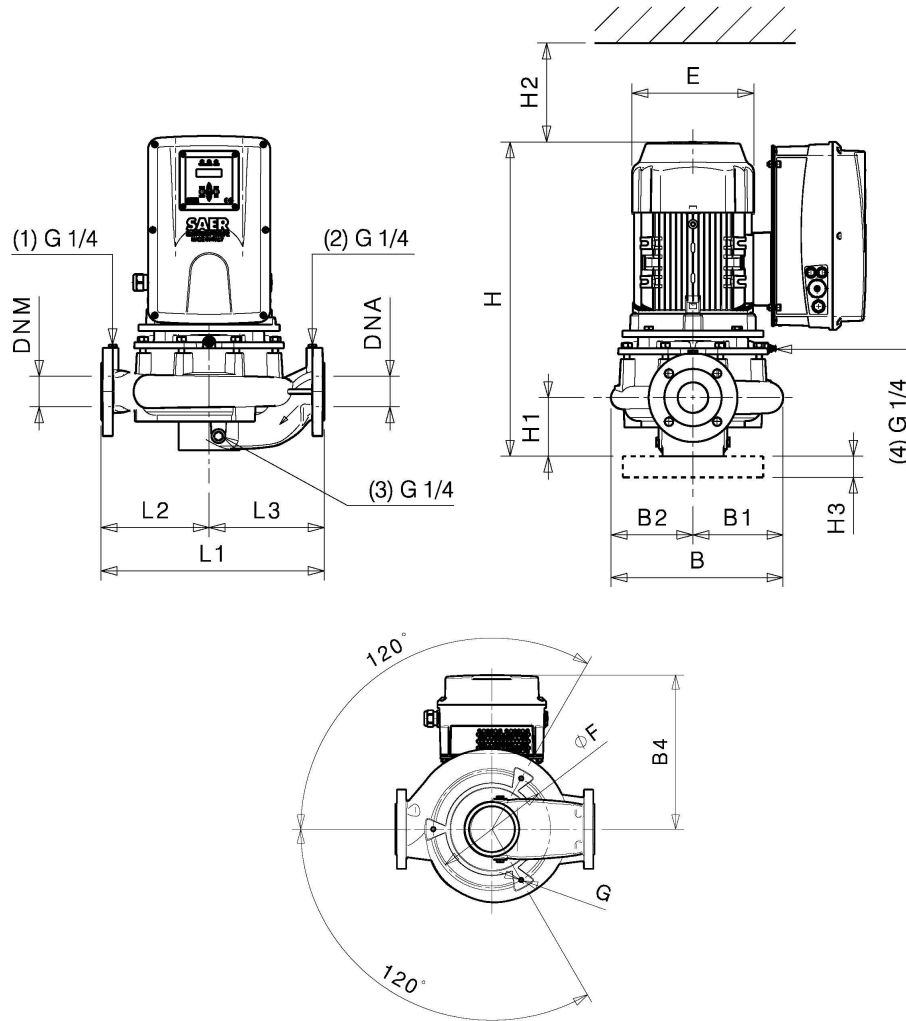
UNI EN ISO 9906:2012 - Grade 3B



Project	Project ID	Created by	Created on <b>2020-09-08</b>	Last update
---------	------------	------------	---------------------------------	-------------

Revision no

Pump dimensions



Connections

Suction side	Discharge port
DN50	DN50
PN10 / PN16	PN10 / PN16

Dimensions in mm

Disegni dimensionali e immagini non vincolanti. Saer si riserva il diritto di effettuare cambiamenti senza alcun preavviso. Dimensional drawing and picture are not binding. Saer reserves the right to make changes without prior notice.

B	339		
B1	173		
B2	166		
B3	370		
B4	260		
B5	290		
B6	M12		
B7	680		
B8	115		
B9	140		
B10	40		
B11	440		
B12	215		
B13	225		

Project

Project ID

Created by

Created on  
2020-09-08

Last update