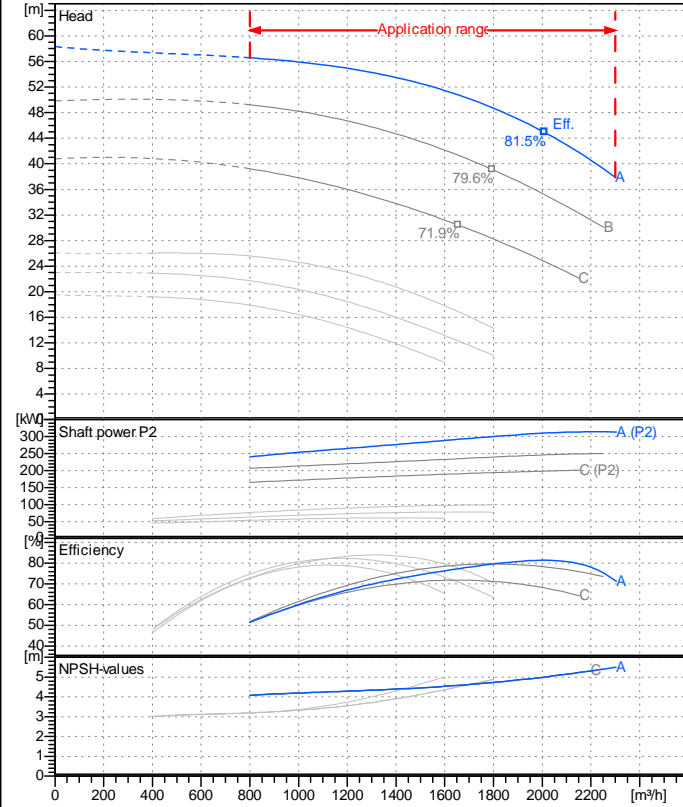


Receiver

From

 Company name
 Respons. Department
 Person in charge
 Phone number
 Fax no
 E-mail address


UNI EN ISO 9906:2012 - Classe 3B

Operating data specification

Nominal flow	m³/h	0
Nominal head	m	0
Static head	m	0
NPSH - v value of plant	m	0
Inlet pressure	bar	0.09793
Fluid		Water, pure
Operating temperature t A	°C	20
Density at t A	kg/dm³	0.9983
Kin. viscosity at t A	mm²/s	1.005

Pump

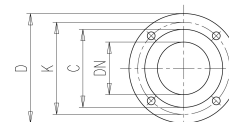
Pump name	NCBK300-400A		
Size			
Design			
Speed 1/min	1450	No of stages	1
Impeller type			
Flow	Nominal	m³/h	
	Max-	m³/h	2300
	Min-	m³/h	800
Head	Nominal	m	
	Max-	m	56.6
	Min-	m	37.9
Head H(Q=0)	m		58.3
NPSH 3%	m		
Max. working pressure	bar		5.71
Shaft power	kW		
Efficiency	%		
Max absorbed power	kW		314.35

Materials Pump

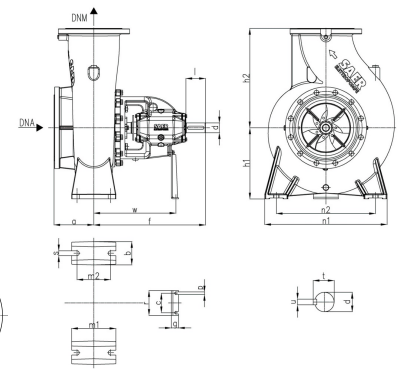
Shaft	Stainless steel AISI 431 (1.4057)		
Impeller	Cast iron EN-GJL-250		
Pump body	Cast iron EN-GJL-250		
Seal disc	Cast iron EN-GJL-250		
Wear rings	Steel		
Soft packing			
Packing	PTFE Fiber		
Motor			
Manufacturer / Type	Frame size		
Rated power	kW	Efficiency	4/4
Electric current	A	Speed	1/min
Electric voltage	V		Hz
Starting mode			
Degree of protection	Insulation class		

Dimensions in mm

a	300	r	160
b	140	s	32
c	120	t	74.9
d	70	u	20
DNA	350	w	550
DNM	300		
f	720		
g	60		
h1	450		
h2	670		
l	140		
m1	315		
m2	250		
n1	810		
n2	670		
p	14		



C	370	C	429
D	460	D	520
DN	300	DN	350
K	410	K	470
n°	12		
O	28		



Remarks:

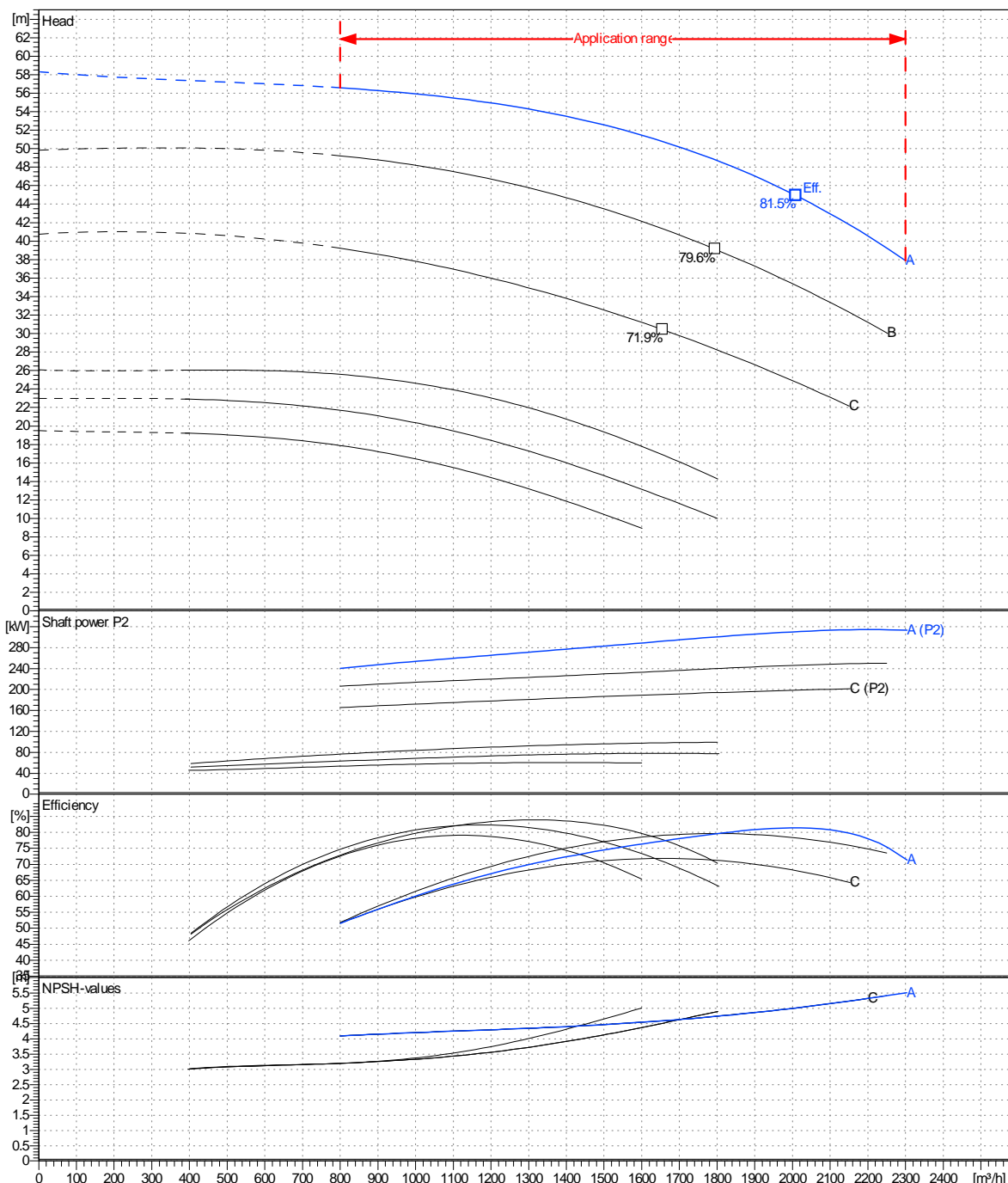
Project	Project ID	Created by	Created on	Last update
			2020-09-11	

Receiver	From
Company name	
Respons. Department	
Person in charge	
Phone number	
Fax no	
E-mail address	

Operating area	Flow	Head	Impeller type
Operating data specification	0 m ³ /h	0 m	Impeller construction: Closed
Pump data	m ³ /h	m	Sense of rotation: Clockwise from the drive end
			Outlet width: DN300
	Flow	Head	Shaft power P2
	Min. Max. η Max.	H(Q=0) η Max.	P2(Q=0) Max. η Max.
	m ³ /h m ³ /h m ³ /h	m m	kW kW kW
	800 2300 2010	58.3 44.9	314 310
			Speed: 1/min 1450
			Frequency: Hz

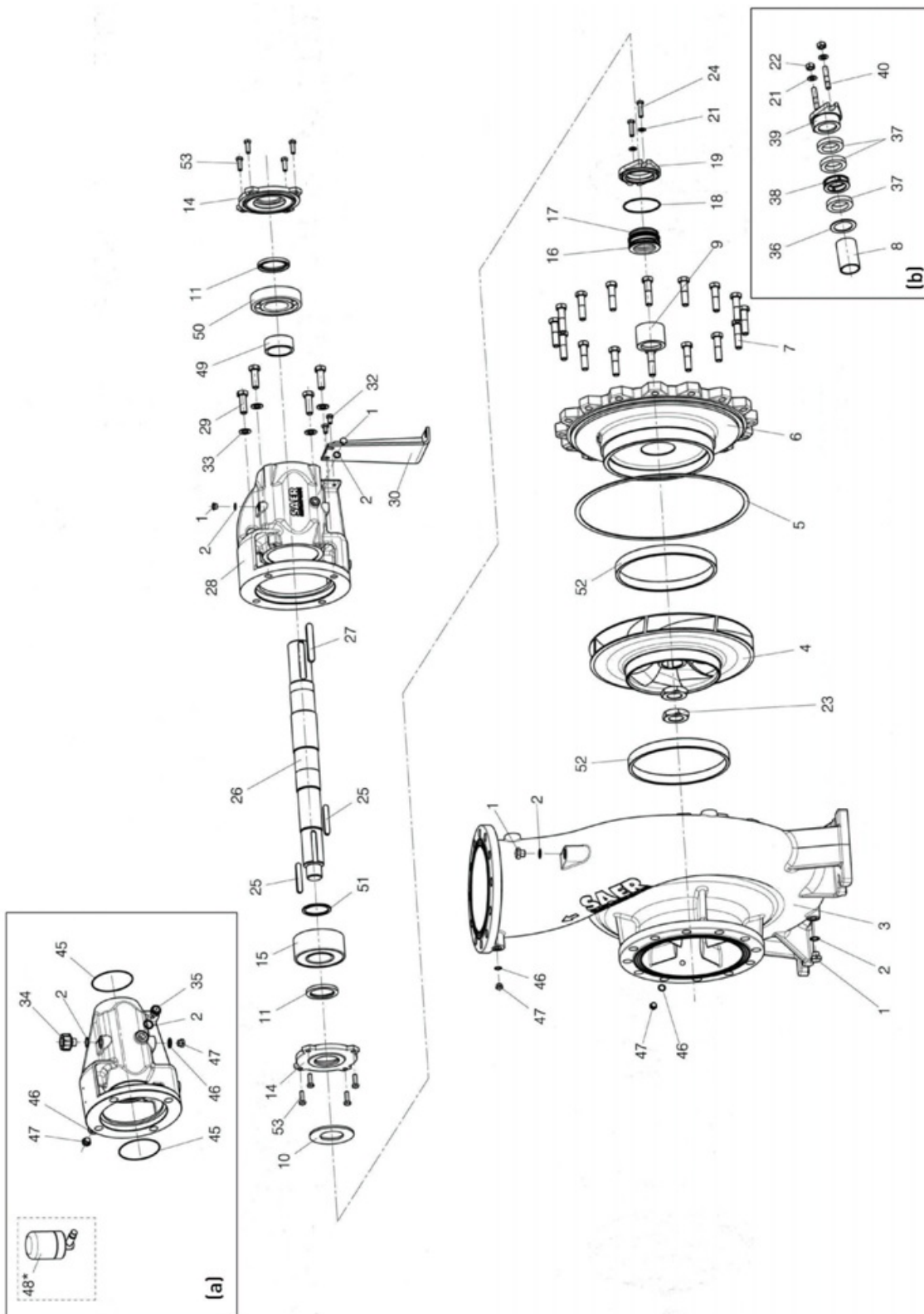
 Performance data based to: Water, pure [100%] ; 20°C; 0.998kg/dm³; 1mm²/s

UNI EN ISO 9906:2012 - Grade 3B



Project	Project ID	Created by	Created on 2020-09-11	Last update
---------	------------	------------	---------------------------------	-------------

Company name
Respons. Department
Person in charge
Phone number
Fax no
E-mail address



Project

Project ID

Created by

Created on
2020-09-11

Last update