

RSL/FV-2L

RIGID SUCTION LANCE
FOOT VALVE WITH LEVEL
INDICATION



Installation and
operating instructions



net.grundfos.com/qr/i/98131771

be
think
innovate

GRUNDFOS 

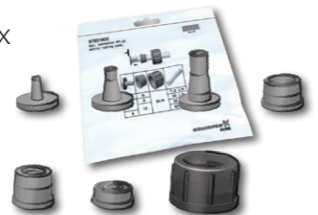


RSL - G 5/8

1x FKM +
1x EPDM/
1x PTFE



1x

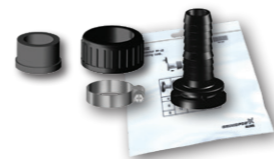


RSL - G 5/4

1x FKM +
1x EPDM/
1x PTFE



1x

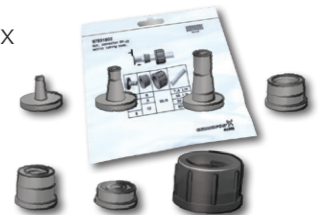


FV-2L

1x FKM +
1x EPDM/
1x PTFE



1x

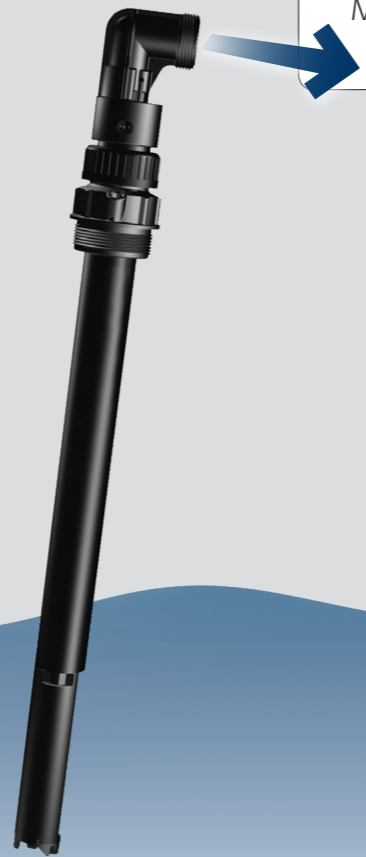




i



i



Max. 460 l/h
(121.5 gph)



Max. 60 l/h
(15.9 gph)



Max. 60 l/h
(15.9 gph)

-10 °C – +45 °C
(-14 °F – +113 °F)

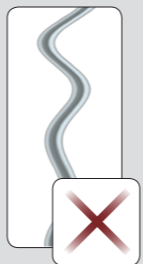
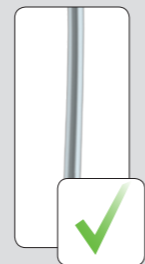
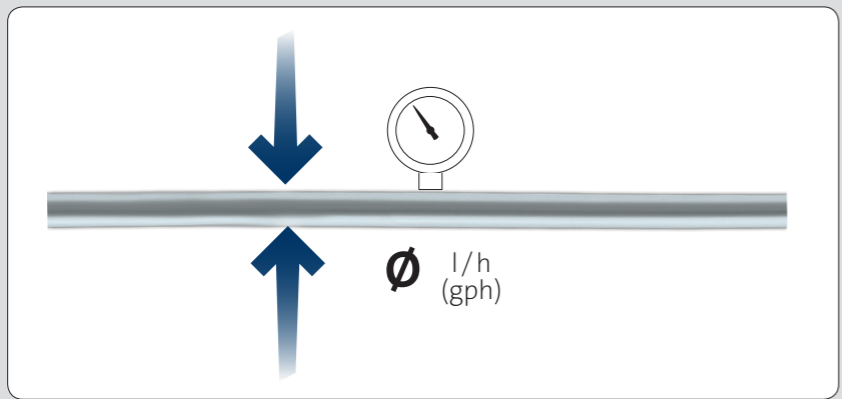
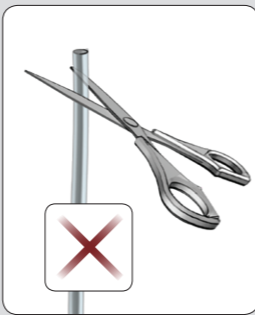
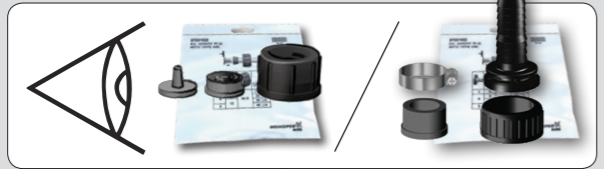


-10 °C – +45 °C
(-14 °F – +113 °F)



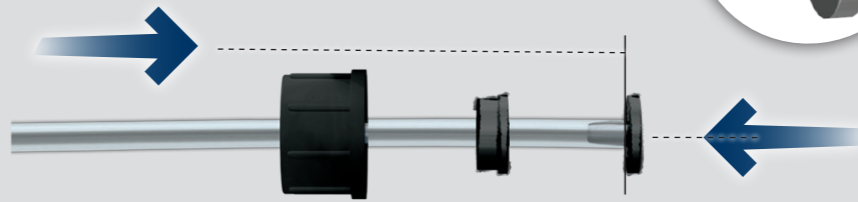
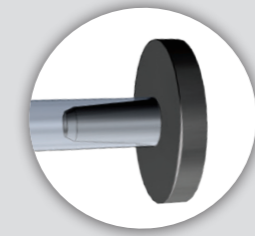
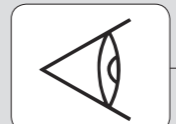


1



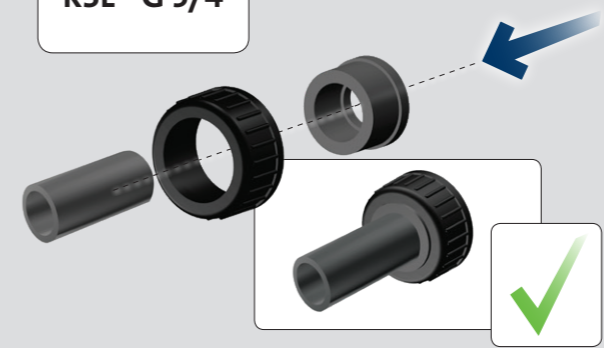
2a

RSL - G 5/8
FV-2L



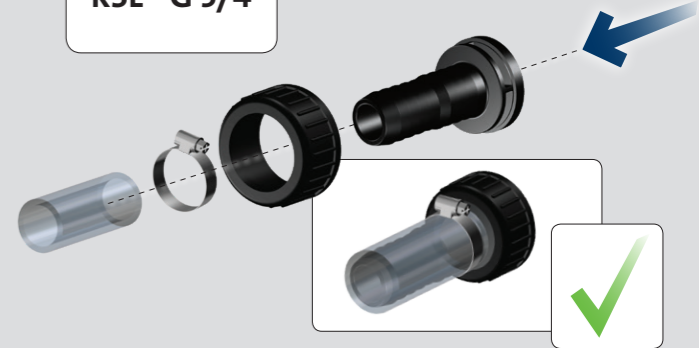
2b

RSL - G 5/4



2c

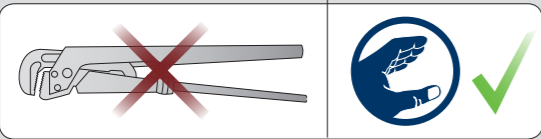
RSL - G 5/4





3a

RSL

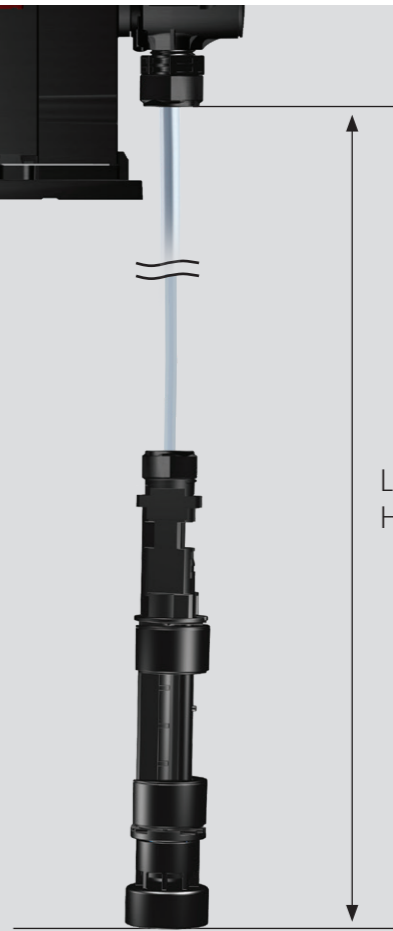
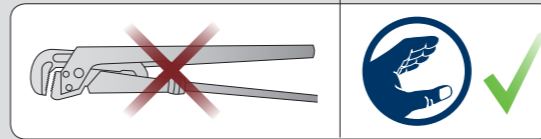


L max. /
H max. =



3b

FV-2L



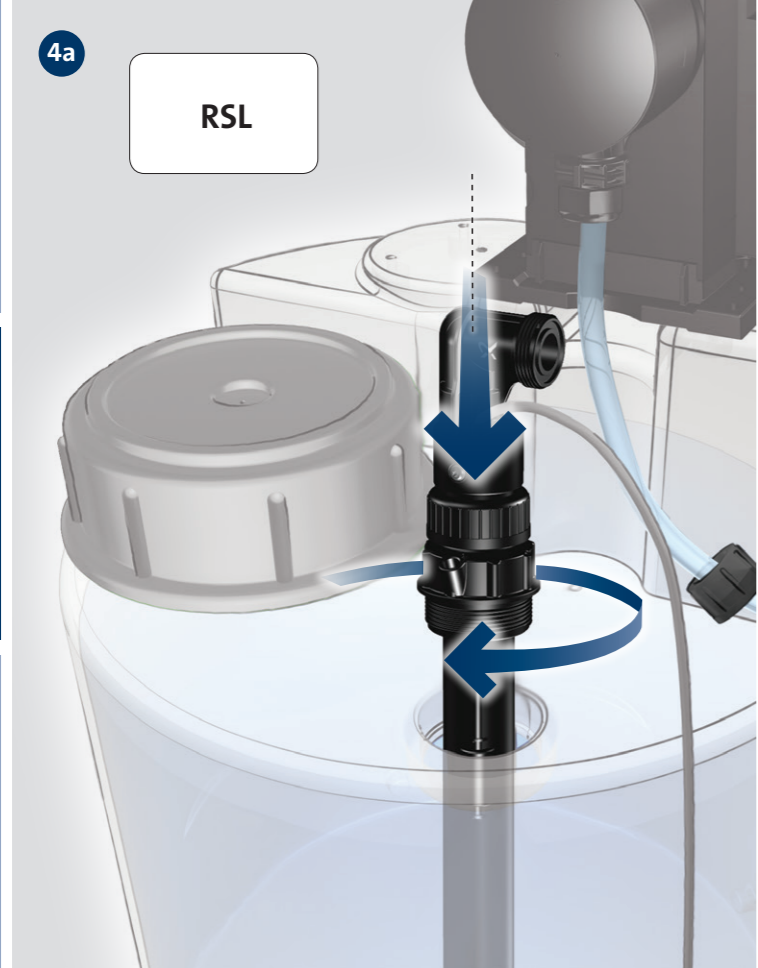
L max. /
H max. =



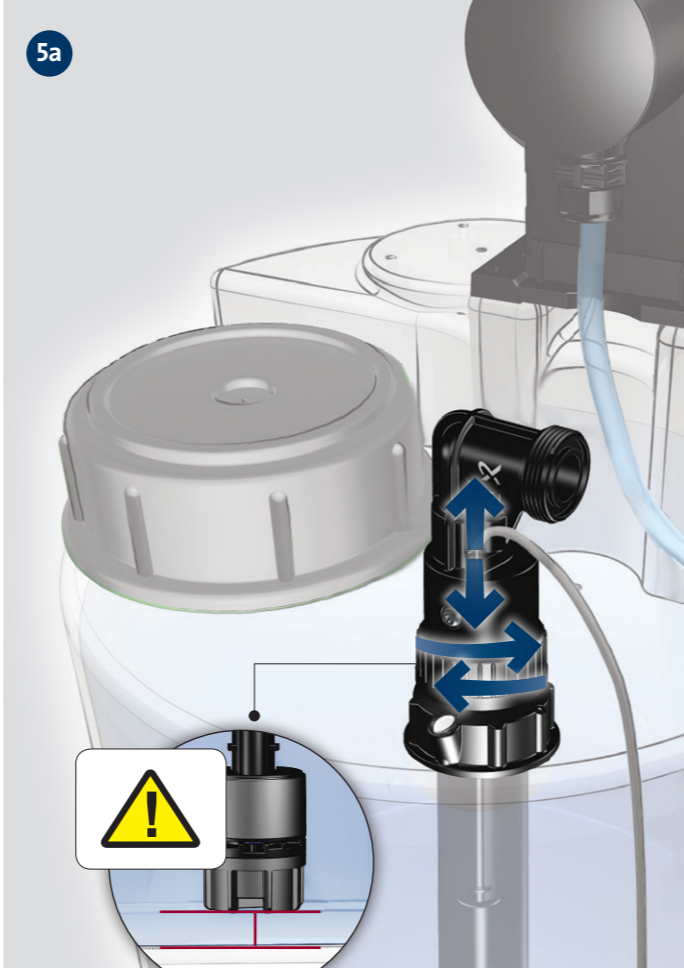


4a

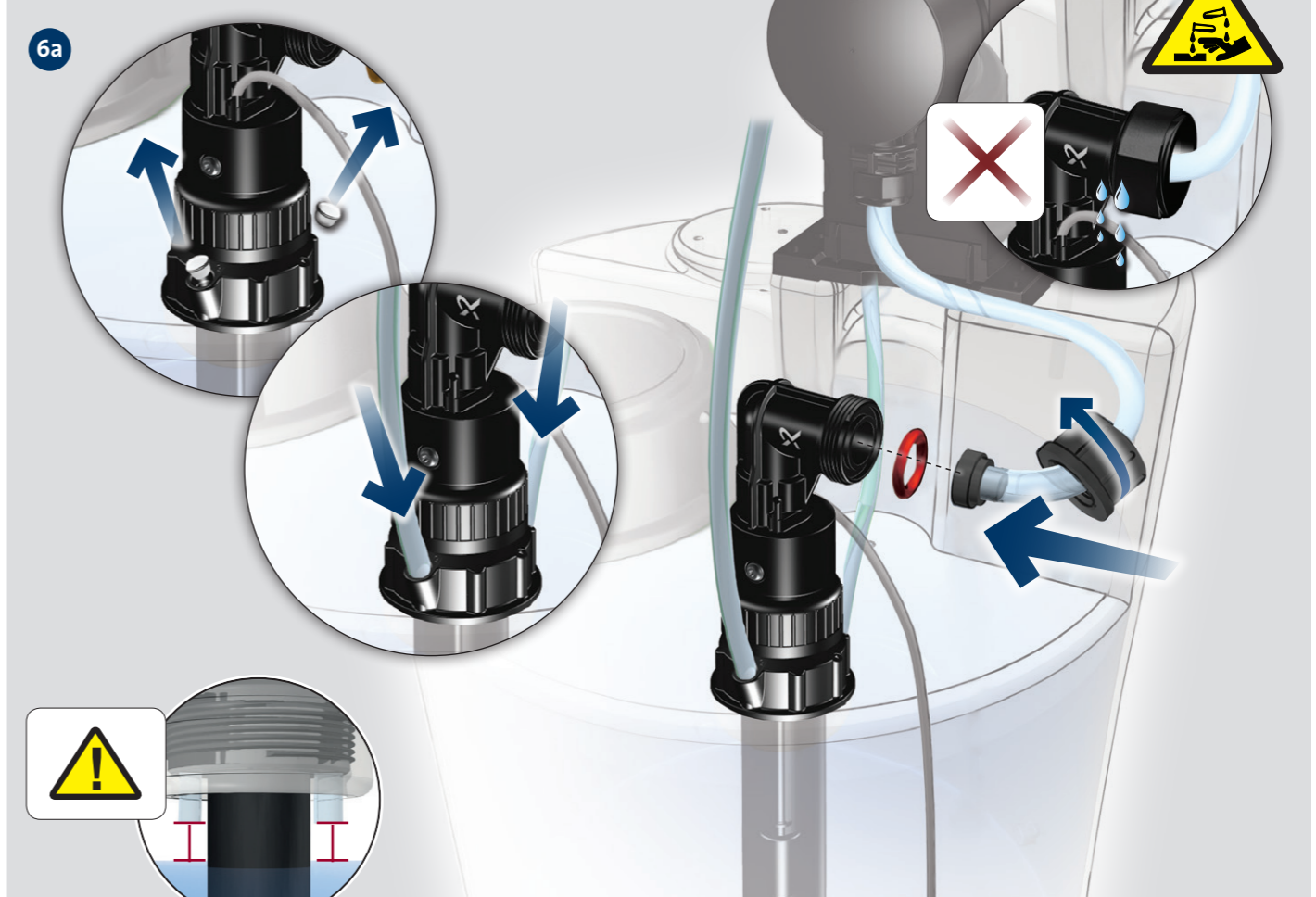
RSL



5a



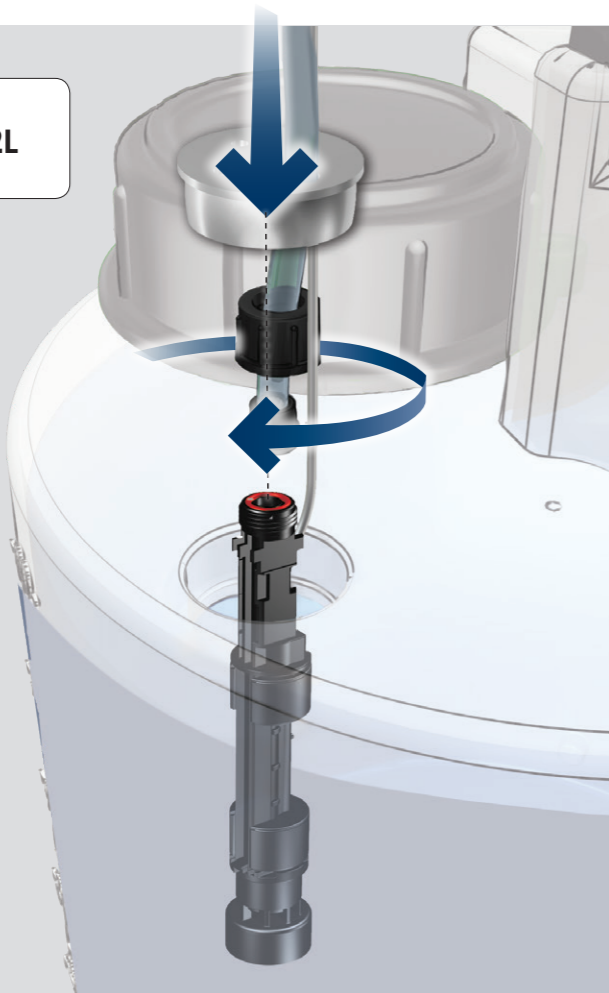
6a



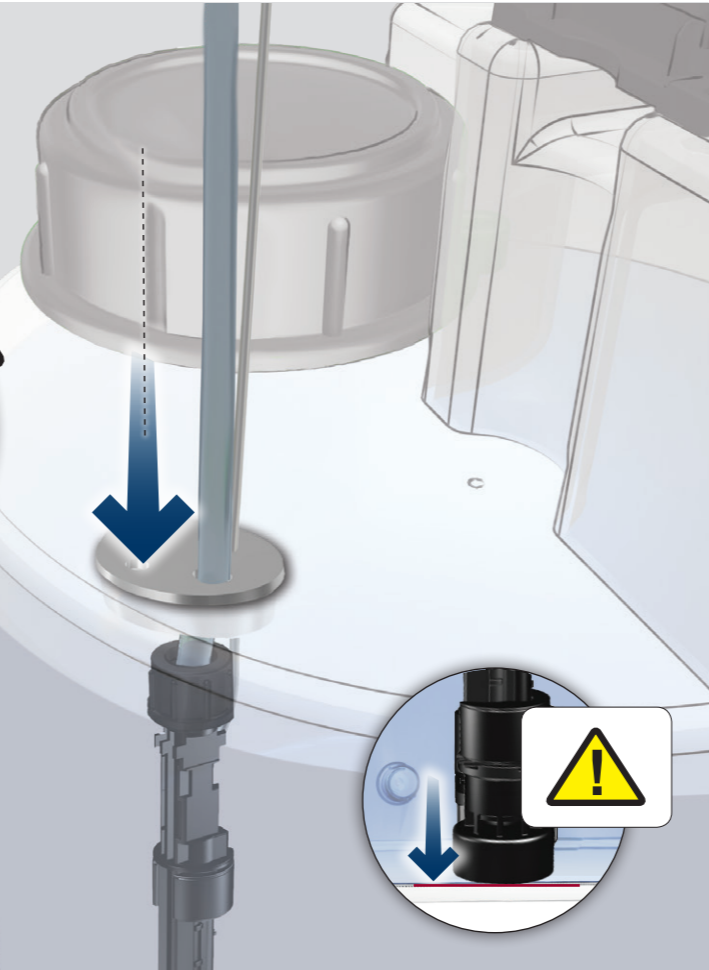


4b

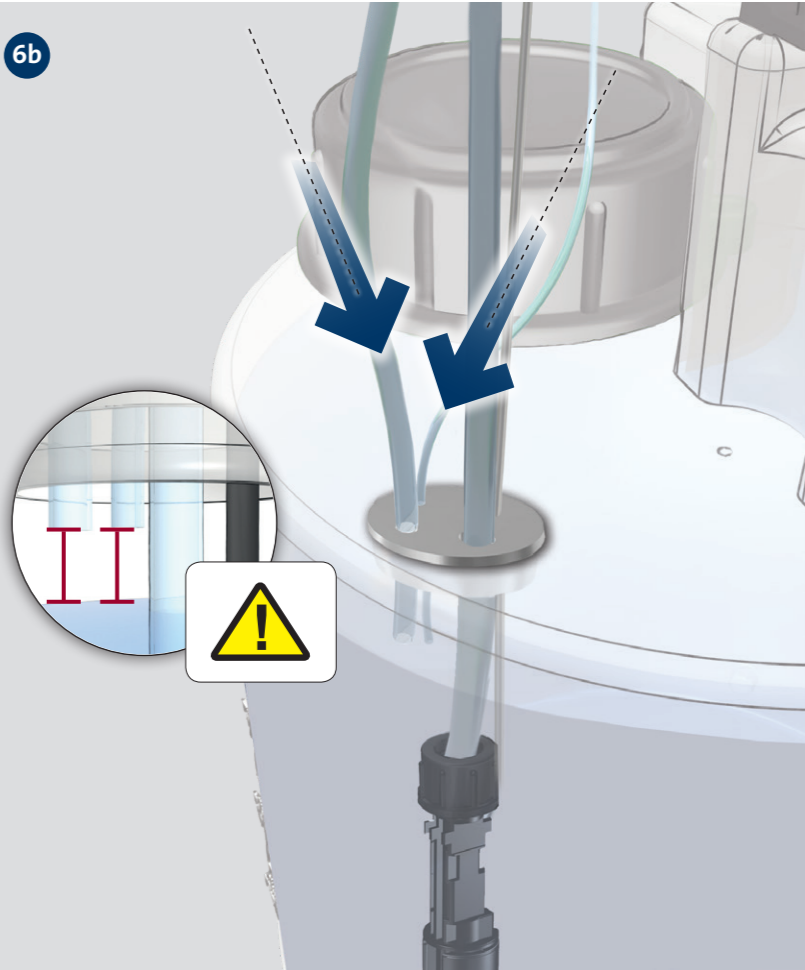
FV-2L



5b



6b

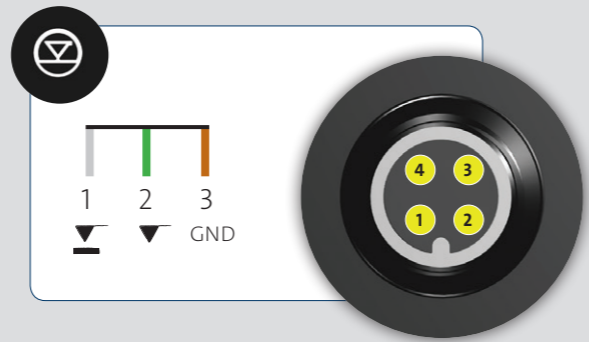




7

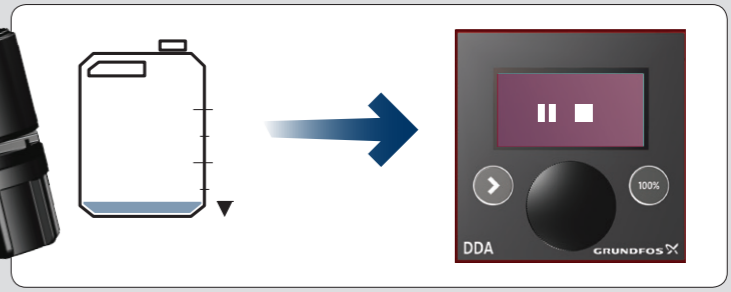
RSL / FV-2L

$\leq 48\text{ V}$
 $\leq 0.5\text{ A}$
 $\leq 10\text{ VA}$



8

RSL / FV-2L



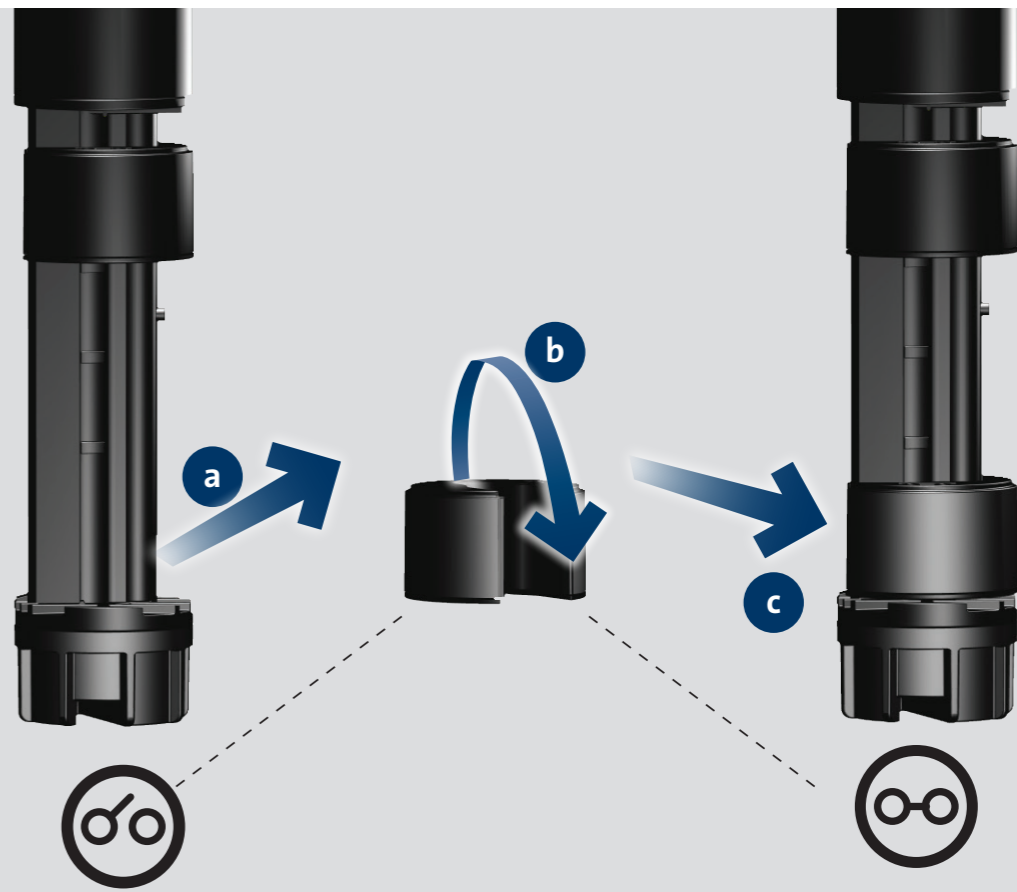


RSL - G 5/8 / FV-2L

NO → NC

∞ = NO
(normally open)
(default)

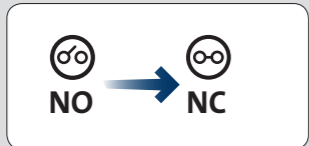
∞ = NC
(normally closed)





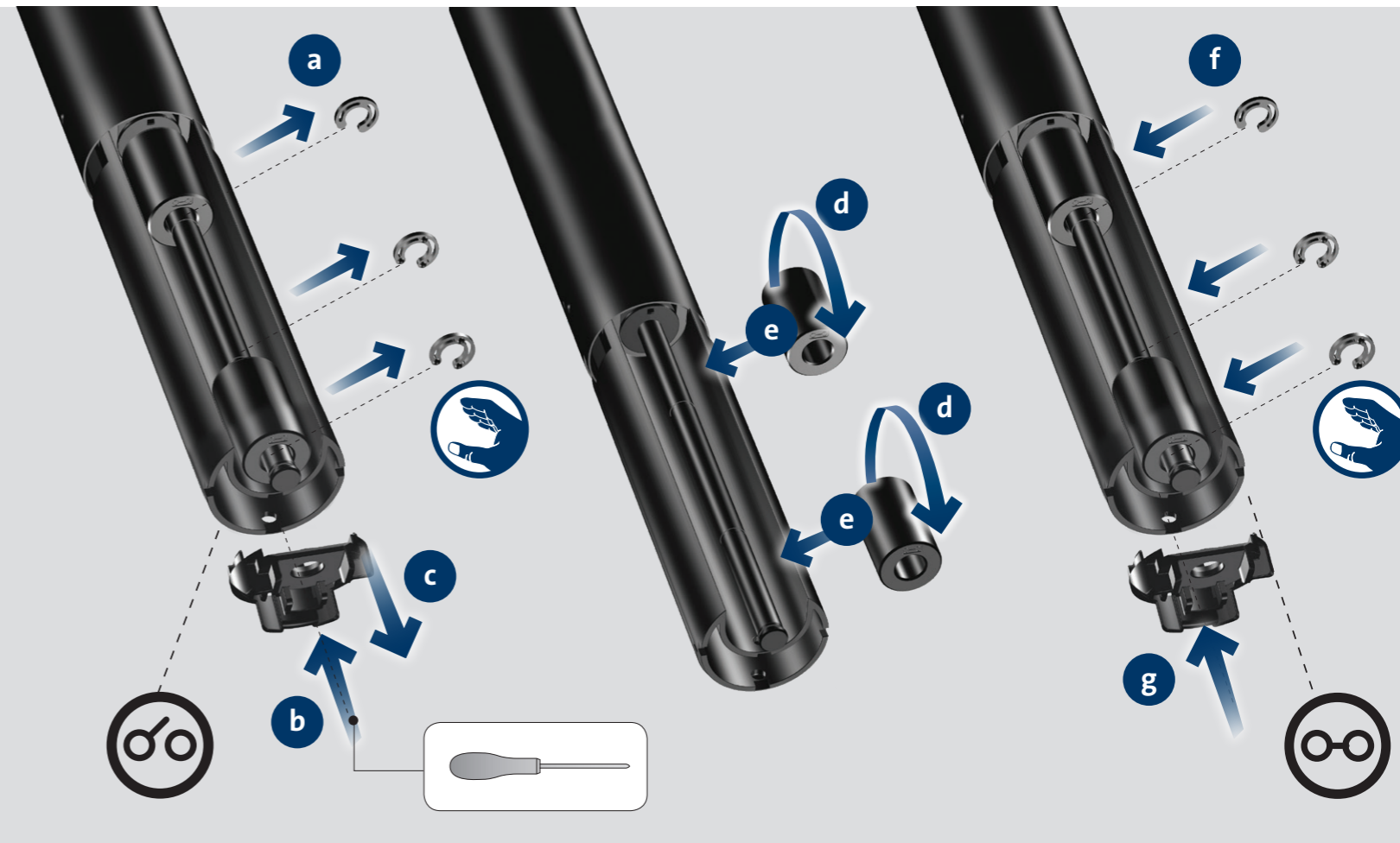
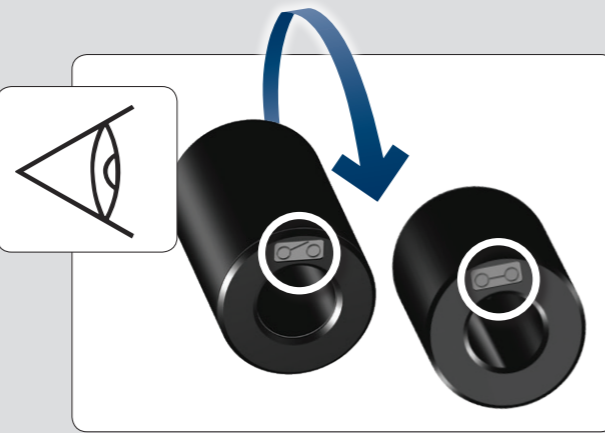
i

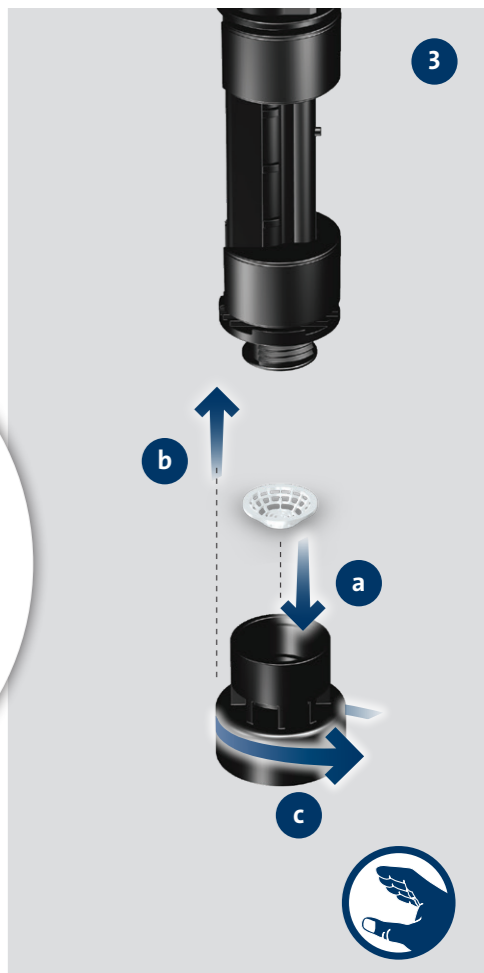
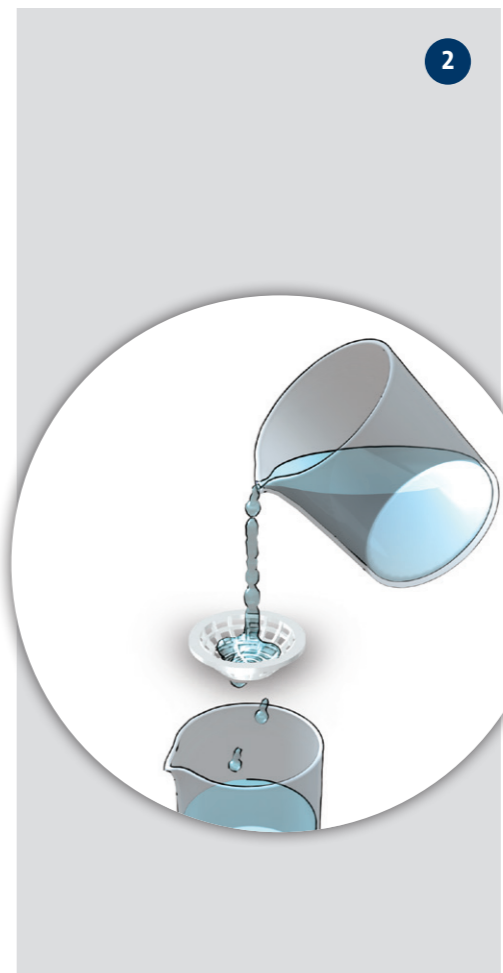
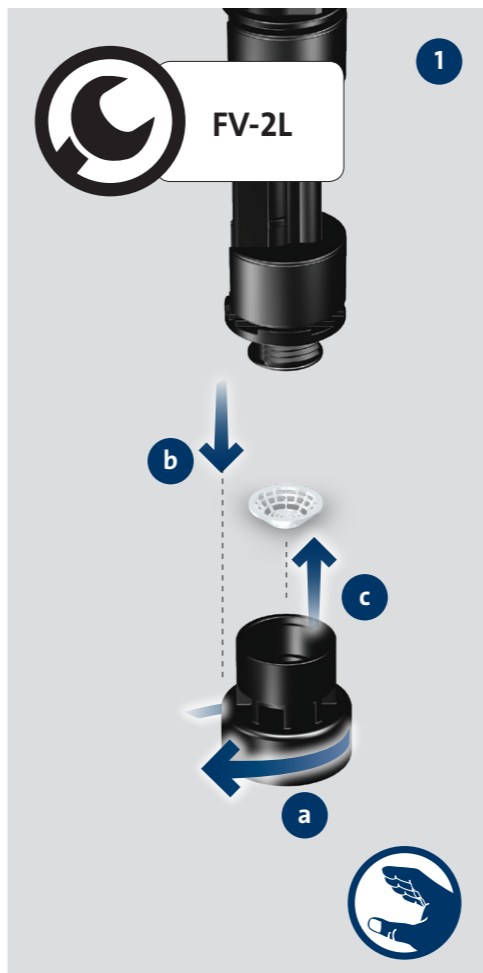
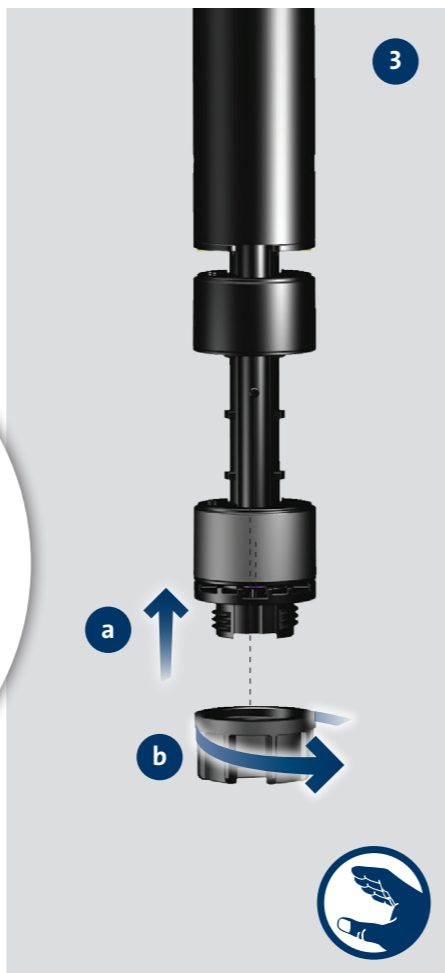
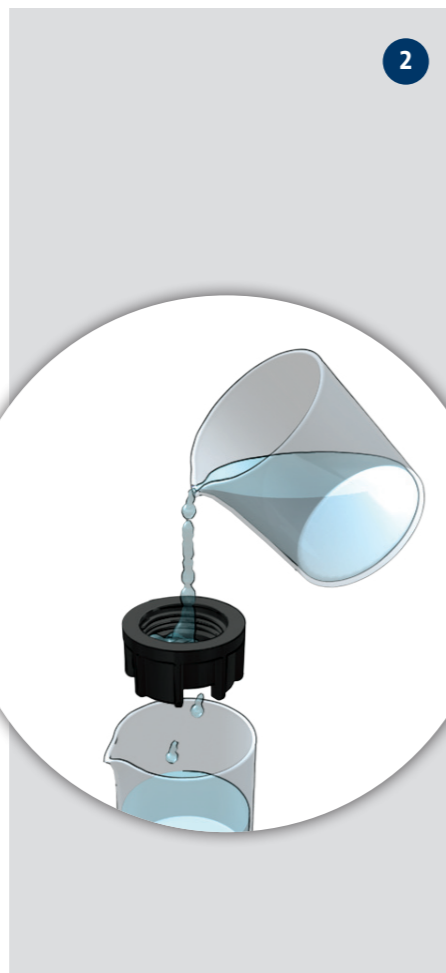
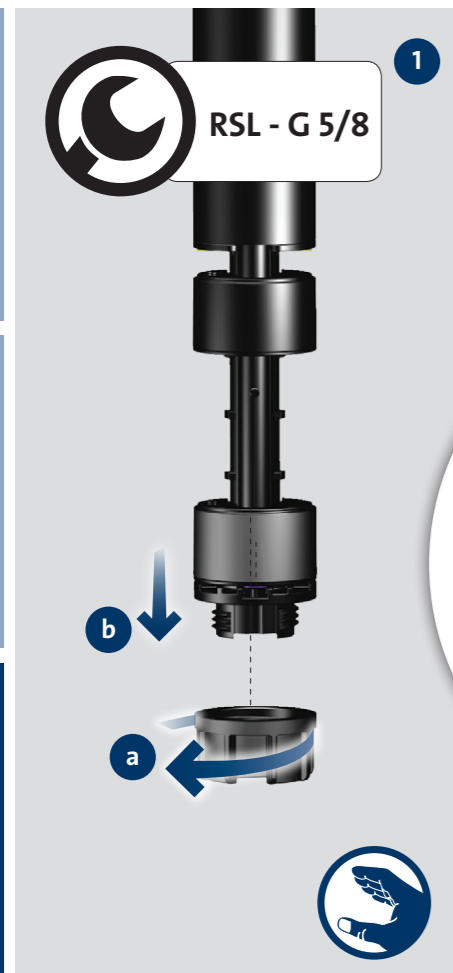
RSL - G 5/4



⊙ = NO
(normally open)
(default)

⊘ = NC
(normally closed)

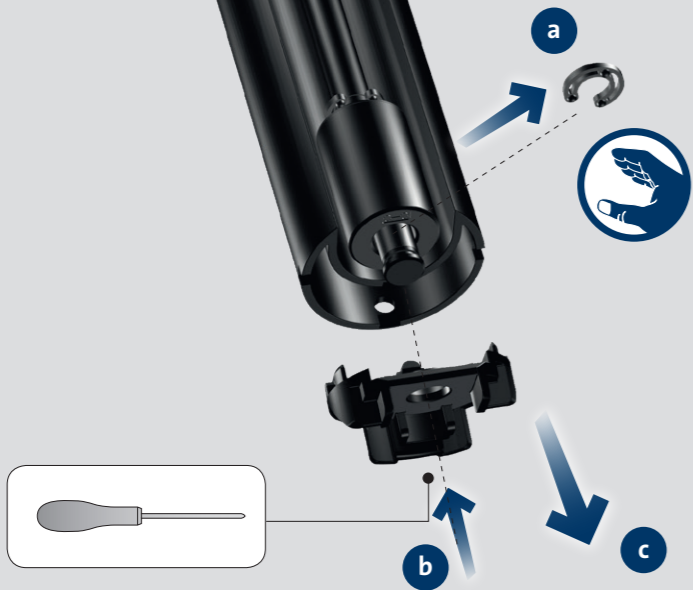






RSL - G 5/4

1



2



3



be think innovate

98099949 0718

ECM: 1239568

GRUNDFOS Holding A/S
Poul Due Jensens Vej 7
DK-8850 Bjerringbro
Tel: +45 87 50 14 00
www.grundfos.com

GRUNDFOS 

Trademarks displayed in this material, including but not limited to Grundfos, the Grundfos logo and "be think innovate" are registered trademarks owned by The Grundfos Group. All rights reserved.
© 2018 Grundfos Holding A/S, all rights reserved.