

**Receiver**

**From**

Society  
Reference  
Address  
Phone  
Fax  
E-mail

**Item n° :**  
60151005  
**Model :**  
EVOPLUS D 120/250.40 M

**Pump data**

Pressure rating : 1,6 MPa  
Min. fluid temperature : -10 °C  
Max. fluid temperature : 110 °C  
EEI : ≤ 0,20

**Minimum suction head :**

Temperature °C 90 - 100  
Minimum suction head : m 20 - 25

**Requested data**

Flow :  
Head :  
Fluid (%) :  
Fluid Temperature : 20 °C  
Density : 998,3 kg/m³  
Kinematic viscosity : 1,005 mm²/s  
Vapor pressure : 2,34 kPa

**Hydraulic data (duty point)**

Flow :  
Head :

**Materials**

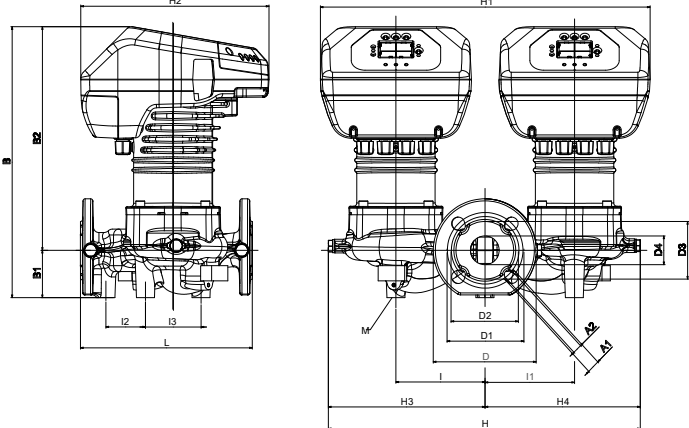
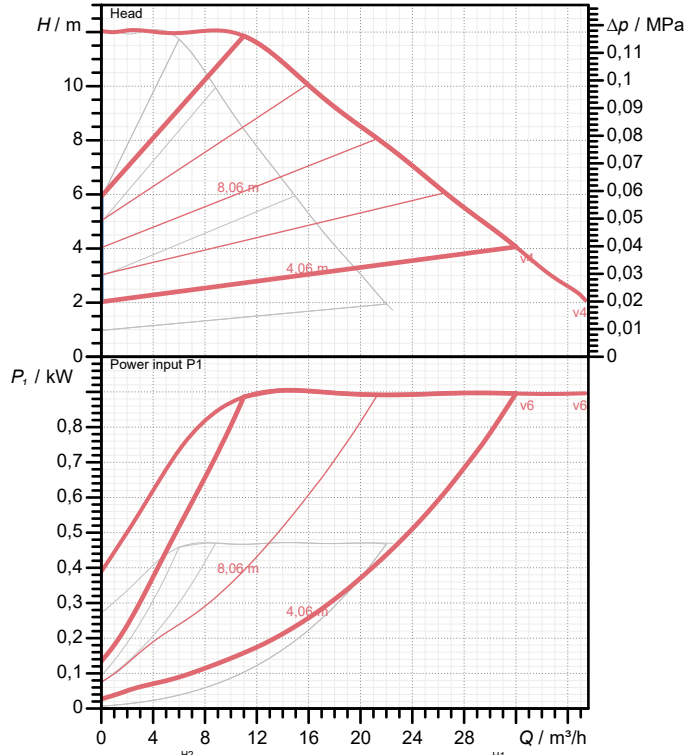
Pump body Cast iron 250 UNI ISO 185 - CTF  
Impeller Technopolymer  
Motor shaft Stainless steel  
Seal ring EPDM  
Motor casing Die cast aluminium  
Closing flange Stainless steel  
Thrust ring support Stainless steel

**Motor data**

Motor brand : DAB  
Power input P1 : 2 X 0,4651 kW  
Rated voltage : 1~ 220-240 V 50 Hz  
Nominal current : 2 X 2,2 A  
Degree of protection : IP 44

**Curve tolerance according to ISO 9906**

Number of working motors : 2



**Dimensions in mm**

A1	19	D1	110	H2	274	I3	81
A2	14	D2	100	H3	228	L	250
B	395	D3	84	H4	226	M	M12
B1	69	D4	42	I	130		
B2	326	H	454	I1	130		
D	150	H1	480	I2	58		

**Weight :** 38,8 kg

**Pump connection**

Suction side : DN 40 / PN6, PN10, PN16  
Discharge side : DN 40 / PN6, PN10, PN16



# PERFORMANCE CURVES

2020-11-1C

Page 2 / 3

DAB PUMPS S.p.A.  
Via Marco Polo, 14 - 35035 Mestrino (PD), Italy  
Tel. +39 049 5125000 - Fax +39 049 5125950  
www.dabpumps.com

Receiver

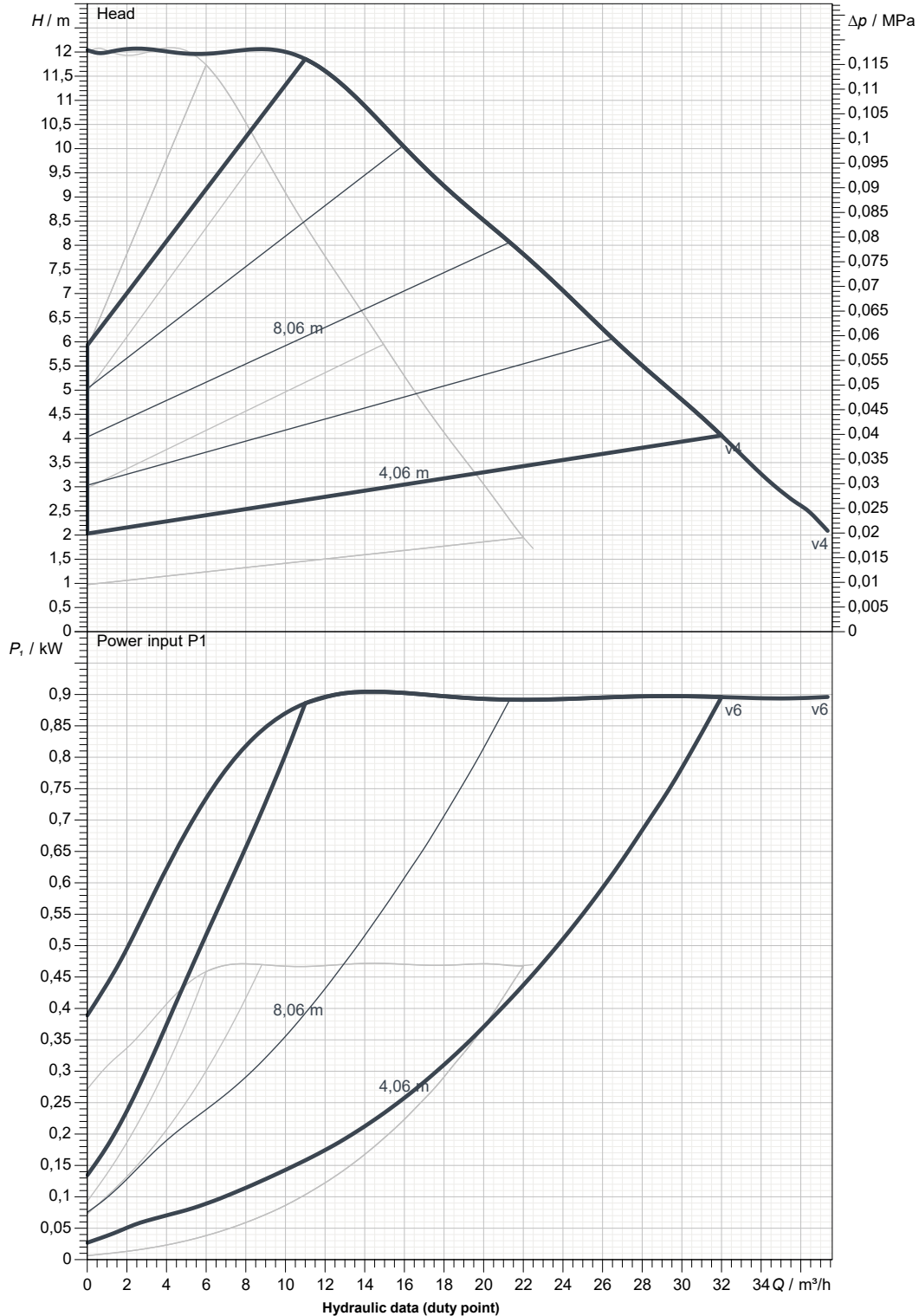
From

Society  
Reference  
Address  
Phone  
Fax  
E-mail

## EVOPLUS D 120/250.40 M

Number of working motors : 2

Curve tolerance according to ISO 9906



Suction side : DN 40 PN6, PN10, PN16	Discharge side : DN 40 PN6, PN10, PN16	Flow :	Head :	Rated speed : 2.900 1/min
MAIN_PROJECT_TITLE	BUSINESS_PROCESS_IC	OWNER_	ISSUE_DATE	



# DIMENSIONAL DRAWING

DAB PUMPS S.p.A.  
Via Marco Polo, 14 - 35035 Mestrino (PD), Italy  
Tel. +39 049 5125000 - Fax +39 049 5125950  
www.dabpumps.com

2020-11-10

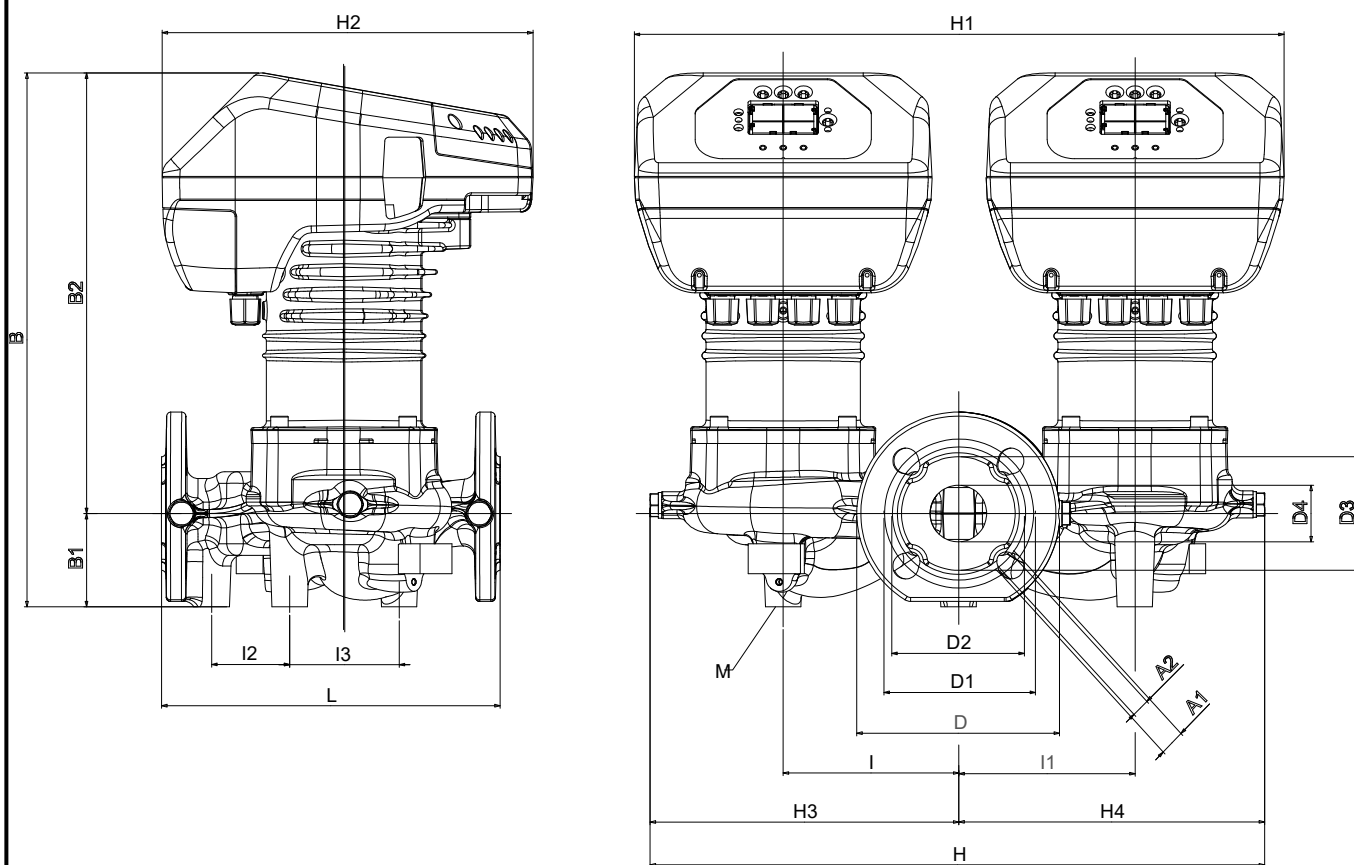
Page 3 / 3

Receiver

From

Society  
Reference  
Address  
Phone  
Fax  
E-mail

## EVOPLUS D 120/250.40 M



Dimensions in mm					Pump connection
1	A1	19	H2	274	Suction DN 40 PN6, PN10, PN16  Discharge DN 40 PN6, PN10, PN16
2	A2	14	H3	228	
3	B	395	H4	226	
4	B1	69	I	130	
5	B2	326	I1	130	
6	D	150	I2	58	
7	D1	110	I3	81	
8	D2	100	L	250	
9	D3	84	M	M12	
10	D4	42			
11	H	454			
12	H1	480			

MAIN_PROJECT_TITLE	BUSINESS_PROCESS_ID	OWNER	ISSUE_DATE
--------------------	---------------------	-------	------------