

## EOCR-DS1 / DS2 / DS3



- 3 Integral Current Transformers
- Independently Adjustable Starting Trip Delay & Trip Time
- EOCR-DS1/2/3 + Power Terminal Kit = EOCR-DS1T/2T/3T

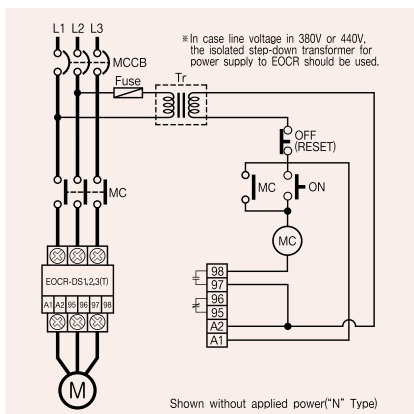
### Protection

Protective Item	EOCR Operating (Trip) Time		
	DS1(T)	DS2(T)	DS3(T)
Over-current	O-TIME(curve)	O-TIME	O-TIME
Phase Loss	4 sec	4 sec	4 sec
Locked Rotor	D-TIME	D-TIME	D-TIME
Phase Reversal	-	-	0.1sec
Time Characteristic	Inverse	Definite	Definite

### Specification

EOCR		DS1(T)	DS2(T)	DS3(T)
Current Setting	05	0.5 - 6A	0.5 - 6A	
	30	3 - 30A	3 - 30A	
	60	-	5 - 60A	
	100- (over 60A)	External CT Option		
Time Setting	Start	D-TIME	0 - 50 sec	1 - 50 sec
	Trip	O-TIME	1 - 10	0.2 - 10 sec
Control Voltage (50/60Hz)	24	24VAC/DC		
	110	85 - 150VAC		
	220	180 - 260VAC		
Contact Rating	Mode	2-SPST		
	Rating	3A/250VAC Resistive		
	Status	Normally Energized		
Time-Current Characteristic		Inverse	Definite	Definite
Trip & Trip Cause Indication	2-LED			
Mount	35mm Din-rail			

### Typical Wiring



## EOCR-SP1 / SP2



- 2 Integral Current Transformers
- Fits Directly into IEC or NEMA Contactor

### Protection

Protective Item	EOCR Operating (Trip) Time	
	SP1	SP2
Over-current	O-TIME(curve)	5 sec
Phase Loss	4 sec	4 sec
Locked Rotor	O-TIME+10 sec	D-TIME
Time Characteristic	Inverse	Definite

### Specification

EOCR		SP1	SP2
Current Setting	01	0.3 - 1.2A	03 - 1.2A
	10	1 - 12A	1 - 12A
	20	5 - 25A	5 - 25A
	100- (over 20A)	External CT Option	
Time Setting	Start	D-TIME	10 sec(Fixed)
	Trip	O-TIME	1 - 50 sec
Control Voltage (50/60Hz)	24	24VAC/DC	
	110	85 - 150VAC	
	220	180 - 260VAC	
Contact Rating	Mode	2-SPST	
	Rating	3A/250VAC Resistive	
	Status	Normally Energized	
Time-Current Characteristic		Inverse	Definite
Trip & Trip Cause Indication	2-LED		
Mount	Contactor Mounted		

### Typical Wiring

