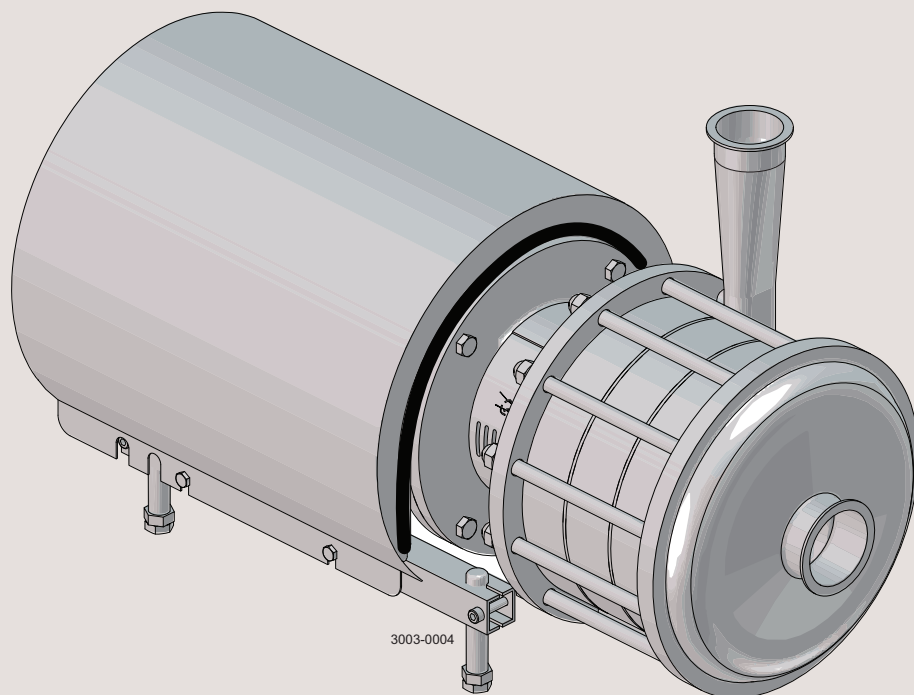




Spare Parts

LKH-110, -120 Multi-Stage Centrifugal Pump



ESE00719-EN9 2016-11

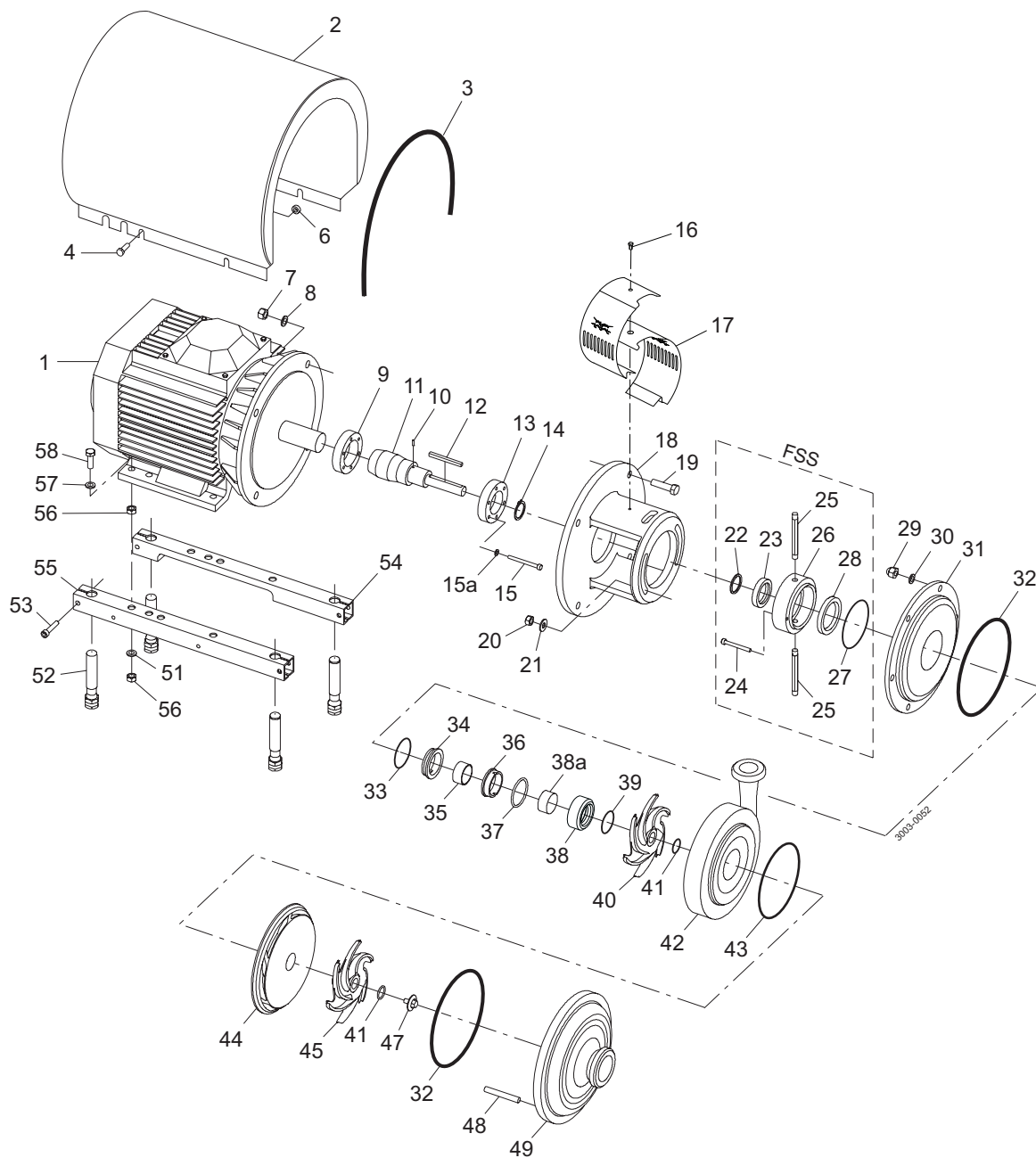
Original manual

The information herein is correct at the time of issue but may be subject to change without prior notice

1. LKH-112 Multi-Stage Centrifugal Pump, Single and Flushed Shaft Seal	4
2. LKH-113 Multi-Stage Centrifugal Pump, Single and Flushed Shaft Seal	8
3. LKH-114 Multi-Stage Centrifugal Pump, Single and Flushed Shaft Seal	12
4. LKH-112-114 Multi-Stage Centrifugal Pump, Shaft Seals	16
5. LKH-122/P Multi-Stage Centrifugal Pump, Single and Flushed Shaft Seal	18
6. LKH-123/P Multi-Stage Centrifugal Pump, Single and Flushed Shaft Seal	22
7. LKH-124/P Multi-Stage Centrifugal Pump, Single and Flushed Shaft Seal	26
8. LKH-122-124/P Multi-Stage Centrifugal Pump, Shaft Seal	30

LKH-112 Multi-Stage Centrifugal Pump, Single and Flushed Shaft Seal

FSS = Flushed Shaft Seal



LKH-112 Multi-Stage Centrifugal Pump, Single and Flushed Shaft Seal

Pos	Qty	Denomination	2.2 kW	3 kW	4 kW	5.5 kW	7.5 kW
			IEC90	IEC100	IEC112	IEC132	IEC160
1	1	Motor, ABB 3000rpm	9614303004	9614303005	9614303006	9614303007	9614303008
	1	* Motor, ABB 3000rpm special	9614289501		9614289502	9614289503	9614289504
2	1	Shroud complete	9612139001	9614192203	9612139003	9612139008	9612139008
3	1	Edge list, (Incl. in pos. 2)	9612133801	9612133802	9612133803	9612133804	9612133804

* For system pressure 10-40 bar.

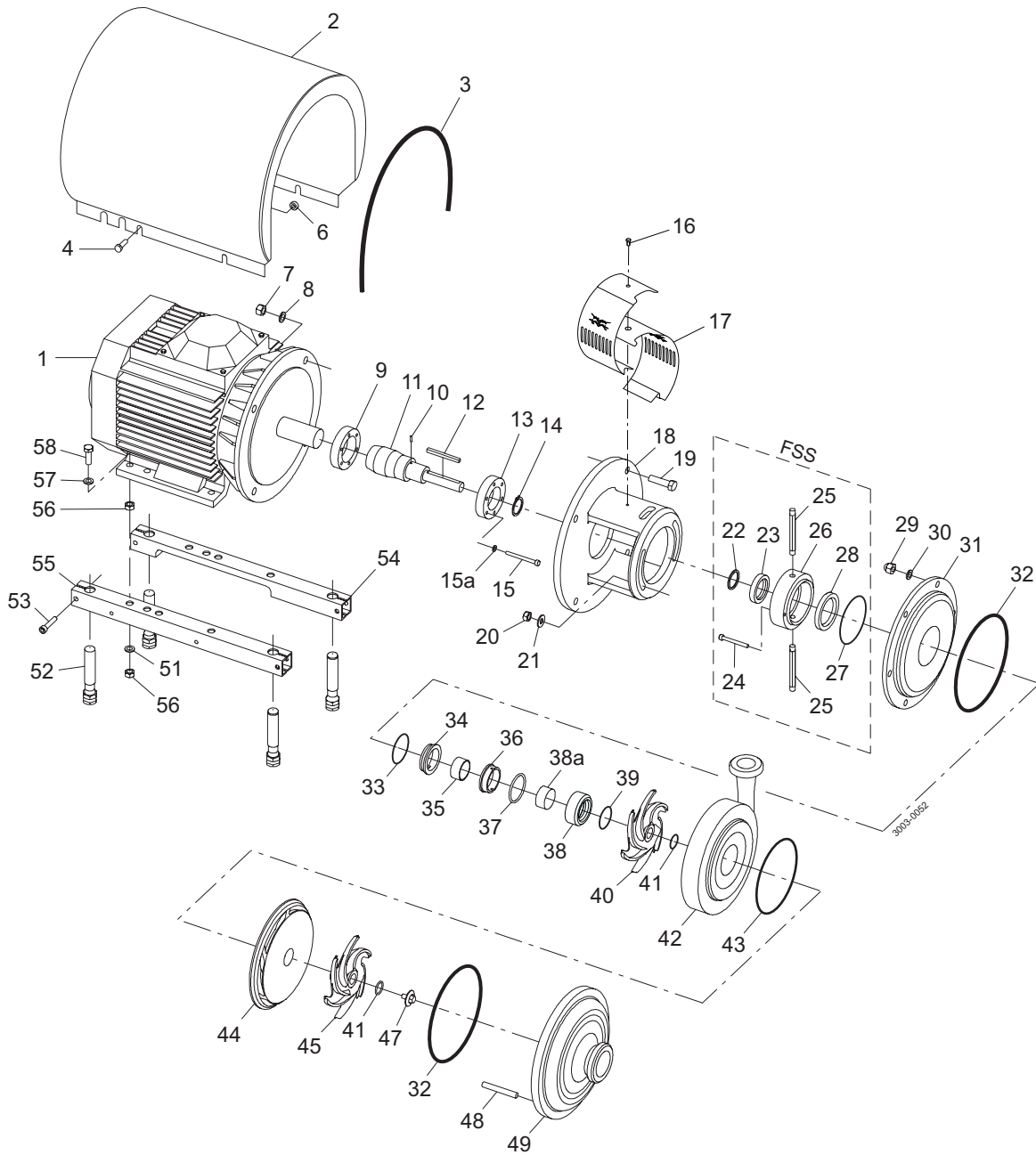
Pos	Qty	Denomination	11 kW	15 kW	18.5 kW
			IEC160	IEC160	IEC160
1	1	Motor, 220/240 VΔ	9614303009	9614303010	9614303011
	1	Motor, 380/420 VΔ	9614289505	9614289506	9614289507
2	1	Shroud complete	9612139005	9612139005	9612139005
3	1	Edge list, (Included in pos. 2)	9612133805	9612133805	9612133805

* For system pressure 10-40 bar.

Pos	Qty	Denomination	IEC90	IEC100	IEC112	IEC132	IEC160
4	4	Screw	9611993240	9611993240	9611993240	9611993240	9611993241
6	4	Distance sleeve				9611992737	3143803902
7	4	Nut for adaptor	9611990353	9611990587	9611990587	9611990587	9611992160
8	4	Washer for adaptor	9611991887	9611990676	9611990676	9611990676	9611991886
9	1	Compression ring with thread	9612133601	9612133602	9612133602	9612133605	9612133603
10	1	Connex pin for flushed shaft seal	9611990622	9611990622	9611990622	9611990622	9611990622
11	1	Shaft, for single shaft seal		9612361901	9612361901	9612362001	9612362101
	1	Shaft, with retaining ring (pos.14) for single shaft seal	9612389601				
	1	Shaft, with pin (pos.10) for flushed shaft seal		9612361903	9612361903	9612362004	9612362104
	1	Shaft, with retaining ring (14) and pin (10) for flushed shaft seal					
12	1	Key	9612389602				
13	1	Compression ring without thread	9611992756	9611992756	9611992756	9611992756	9611992756
14	1	Retaining ring	9612133701	9612133702	9612133702	9612133705	9612133703
15	6	Screw	9611992307				
15a	6	Washer	9611993196	9611993196	9611993196	9611993197	9611993197
16	1	Screw for safety guard	9611993199	9611993199	9611993199	9611993199	9611993199
17	1	Screw for safety guard	9611993239	9611993239	9611993239	9611993239	9611993239
17	1	Safety guard set	9614077401	9614077402	9614077402	9614077403	9614077404
18	1	Adaptor	9612342301	9612342401	9612342401	9612342501	9612342601
19	4	Screw for adaptor	9611992161	9611991834	9611991834	9611992162	9611992163
20	2	Nut	9611990353	9611990353	9611990353	9611990353	9611990353
21	2	Washer	9611992559	9611992559	9611992559	9611992559	9611992559
29	6	Cap nut	9611992593	9611992593	9611992593	9611992593	9611992593
30	6	Washer	9611991887	9611991887	9611991887	9611991887	9611991887
31	1	Back plate, (LKH-112 0-10 bar)	9612389208	9612389208	9612389208	9612389208	9612389208
	1	Back plate, (LKH-112/P 10-40 bar)	9612389214	9612389214	9612389214	9612389214	9612389214
32	□♦○★	2 O-ring, EPDM (standard)	9611992744	9611992744	9611992744	9611992744	9611992744
		2 O-ring, NBR	9611992745	9611992745	9611992745	9611992745	9611992745
		2 O-ring, FPM	9611992746	9611992746	9611992746	9611992746	9611992746
35	1	Spacing ring	9612362501	9612362501	9612362501	9612362501	9612362501
38	1	Rotating seal housing	9612362401	9612362401	9612362401	9612362401	9612362401
60	1	Set of 8 springs for rotating sealhousing, (incl. In pos 38)	9611995848	9611995848	9611995848	9611995848	9611995848
40	1	Impeller	9612360401	9612360401	9612360401	9612360401	9612360401
41	□♦○★	2 O-ring, EPDM (standard)	9611992750	9611992750	9611992750	9611992750	9611992750
		2 O-ring, NBR	9611992751	9611992751	9611992751	9611992751	9611992751
		2 O-ring, FPM	9611992752	9611992752	9611992752	9611992752	9611992752
42	1	Pump casing, IDF	9612388901	9612388901	9612388901	9612388901	9612388901
	1	Pump casing, SMS	9612388902	9612388902	9612388902	9612388902	9612388902
	1	Pump casing, DIN	9612388903	9612388903	9612388903	9612388903	9612388903
	1	Pump casing, ISO	9612388904	9612388904	9612388904	9612388904	9612388904
	1	Pump casing, BS	9612388905	9612388905	9612388905	9612388905	9612388905
	1	Pump casing, flange DN40	9612389401	9612389401	9612389401	9612389401	9612389401
43	□♦○★	1 O-ring, EPDM (standard)	9611992747	9611992747	9611992747	9611992747	9611992747
		1 O-ring, NBR	9611992748	9611992748	9611992748	9611992748	9611992748
		1 O-ring, FPM	9611992749	9611992749	9611992749	9611992749	9611992749
44	1	Guide vanes	9612361301	9612361301	9612361301	9612361301	9612361301
45	1	Impeller	9612360501	9612360501	9612360501	9612360501	9612360501
47	1	Impeller screw	9612362701	9612362701	9612362701	9612362701	9612362701
48	6	Bolt	9612363501	9612363501	9612363501	9612363501	9612363501
49	1	Pump cover, IDF	9612389301	9612389301	9612389301	9612389301	9612389301
	1	Pump cover, SMS	9612389302	9612389302	9612389302	9612389302	9612389302
	1	Pump cover, DIN	9612389303	9612389303	9612389303	9612389303	9612389303
	1	Pump cover, ISO	9612389304	9612389304	9612389304	9612389304	9612389304
	1	Pump cover, BS	9612389305	9612389305	9612389305	9612389305	9612389305
	1	Pump cover, flange DN50	9612389501	9612389501	9612389501	9612389501	9612389501

LKH-112 Multi-Stage Centrifugal Pump, Single and Flushed Shaft Seal

FSS = Flushed Shaft Seal



LKH-112 Multi-Stage Centrifugal Pump, Single and Flushed Shaft Seal

Pos	Qty	Denomination	IEC90	IEC100	IEC112	IEC132	IEC160
Legs							
50	4	Nut	9611990360	9611990353	9611990353	9611990353	9611990587
51	4	Spring washer	9611991888	9611991887	9611991887	9611991887	9611990676
52	4	Leg	9612396701	9612396701	9612396701	9612396701	9612396701
53	4	Screw, (Period 9711-)	9611991126	9611991126	9611991126	9611991126	9611991126
	4	Screw, (Period -9711)	9611991907	9611991907	9611991907	9611991907	9611991907
54	1	Support bar, left	9612132301	9612132305	9612132305	9612132306	9612132303
55	1	Support bar, right	9612132201	9612132205	9612132205	9612132206	9612132203
56	4	Nut		9611990587			
57	4	Washer		9611990786	9611990786	9611990786	9611990706
58	4	Screw	9611993241	9611991374	9611991374	9611991374	9611991834

C/SIC SIC/SIC

Service kit for single shaft seal

Service kit, EPDM.	□ 9611922096	○ 9611922655
Service kit, NBR.	□ 9611922097	○ 9611922656
Service kit, FPM.	□ 9611922098	○ 9611922657

Service kit for flused shaft seal

Service kit, EPDM.	◆ 9611922099	★ 9611922658
Service kit, NBR.	◆ 9611922100	★ 9611922659
Service kit, FPM.	◆ 9611922101	★ 9611922660

Parts marked with □◆○★ are included in the service kits.

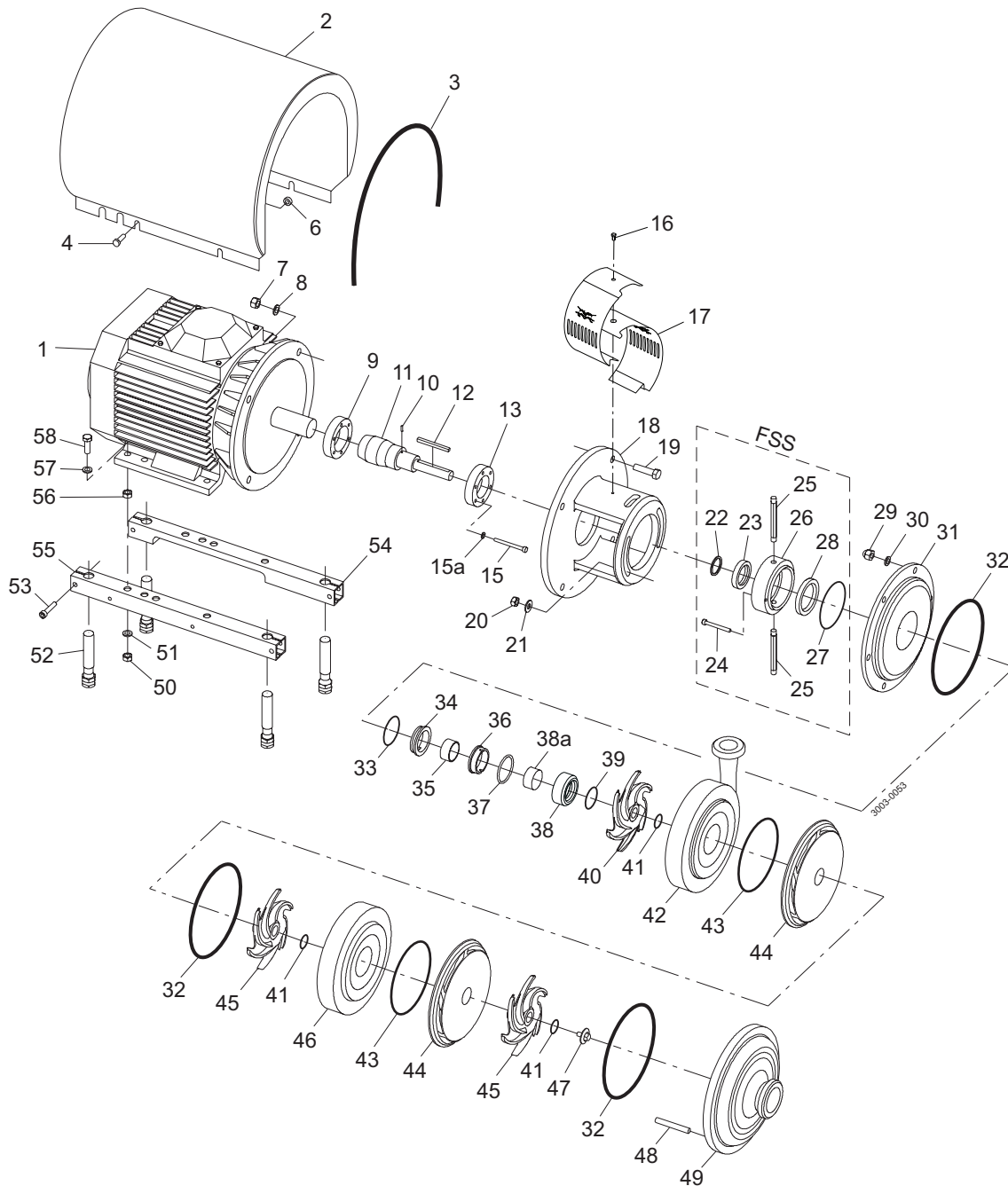
Conversion single to flushed shaft seal : Please order flushed service kit + pos. 23+24+25+26

Recommended Spare parts: Service kits.

(900022/7)

LKH-113 Multi-Stage Centrifugal Pump, Single and Flushed Shaft Seal

FSS = Flushed Shaft Seal



LKH-113 Multi-Stage Centrifugal Pump, Single and Flushed Shaft Seal

Pos	Qty	Denomination	3 kW IEC100	4 kW IEC112	5.5 kW IEC132	7.5 kW IEC160
1	1	Motor, ABB 3000rpm	9614303005	9614303006	9614303007	9614303008
	1	* Motor, ABB 3000rpm special		9614289502	9614289503	9614289504
2	1	Shroud complete	9614192203	9612139003	9612139008	9612139008
3	1	Edge list, (Incl. in pos. 2)	9612133802	9612133803	9612133804	9612133804

* For system pressure 10-40 bar.

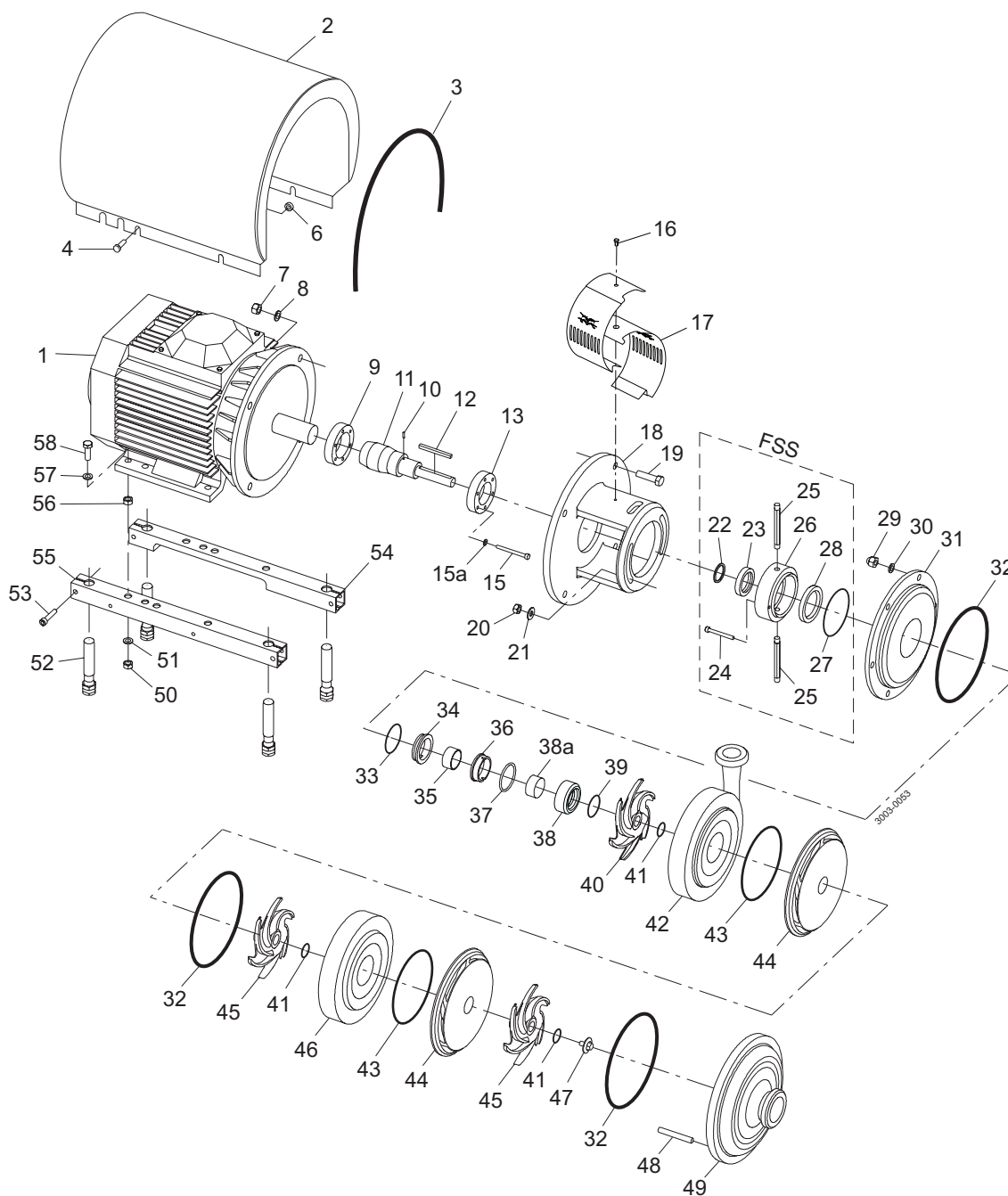
Pos	Qty	Denomination	11 kW IEC160	15 kW IEC160	18.5 kW IEC160
1	1	Motor, ABB 3000rpm	9614303009	9614303010	9614303011
	1	* Motor, ABB 3000rpm, special	9614289505	9614289506	9614289507
2	1	Shroud complete	9612139005	9612139005	9612139005
3	1	Edge list, (Included in pos. 2)	9612133805	9612133805	9612133805

* For system pressure 10-40 bar.

Pos	Qty	Denomination	IEC100	IEC112	IEC132	IEC160
4	4	Screw	9611993240	9611993240	9611993240	9611993241
6	4	Distance sleeve			9611992737	3143803902
7	4	Nut for adaptor	9611990587	9611990587	9611990587	9611992160
8	4	Washer for adaptor	9611990676	9611990676	9611990676	9611991886
9	1	Compression ring with thread	9612133602	9612133602	9612133605	9612133603
10	1	Connex pin	9611990622	9611990622	9611990622	9611990622
11	1	Shaft	9612361902	9612361902	9612362002	9612362102
	1	Shaft, with pin (pos.10)	9612361904	9612361904	9612362005	9612362105
12	1	Key	9611992757	9611992757	9611992757	9611992757
13	1	Compression ring without thread	9612133702	9612133702	9612133705	9612133703
15	6	Screw	9611993196	9611993196	9611993197	9611993198
15a	6	Washer	9611993199	9611993199	9611993199	9611993199
16	1	Screw for safety guard	9611993239	9611993239	9611993239	9611993239
17	1	Safety guard set	9614077402	9614077402	9614077403	9614077404
18	1	Adaptor	9612342401	9612342401	9612342501	9612342601
19	4	Screw for adaptor	9611991834	9611991834	9611992162	9611992163
20	2	Nut	9611990353	9611990353	9611990353	9611990353
21	2	Washer	9611992559	9611992559	9611992559	9611992559
29	6	Cap nut	9611992593	9611992593	9611992593	9611992593
30	6	Washer	9611991887	9611991887	9611991887	9611991887
31	1	Back plate, (LKH-113 0-10 bar)	9612389208	9612389208	9612389208	9612389208
	1	Back plate, (LKH-113/P 10-40 bar)	9612389214	9612389214	9612389214	9612389214
32	□♦○*	3 O-ring, EPDM (standard)	9611992744	9611992744	9611992744	9611992744
		3 O-ring, NBR	9611992745	9611992745	9611992745	9611992745
		3 O-ring, FPM	9611992746	9611992746	9611992746	9611992746
35	1	Spacing ring	9612362501	9612362501	9612362501	9612362501
38	1	Rotating seal housing	9612362401	9612362401	9612362401	9612362401
60	1	Set of 8 springs for rotating sealhousing, (incl. In pos 38)	9611995848	9611995848	9611995848	9611995848
40	1	Impeller	9612360401	9612360401	9612360401	9612360401
41	□♦○*	3 O-ring, EPDM (standard)	9611992750	9611992750	9611992750	9611992750
		3 O-ring, NBR	9611992751	9611992751	9611992751	9611992751
		3 O-ring, FPM	9611992752	9611992752	9611992752	9611992752
42	1	Pump casing, IDF	9612388901	9612388901	9612388901	9612388901
	1	Pump casing, SMS	9612388902	9612388902	9612388902	9612388902
	1	Pump casing, DIN	9612388903	9612388903	9612388903	9612388903
	1	Pump casing, ISO	9612388904	9612388904	9612388904	9612388904
	1	Pump casing, BS	9612388905	9612388905	9612388905	9612388905
	1	Pump casing, flange DN40	9612389401	9612389401	9612389401	9612389401
43	□♦○*	2 O-ring, EPDM (standard)	9611992747	9611992747	9611992747	9611992747
		2 O-ring, NBR	9611992748	9611992748	9611992748	9611992748
		2 O-ring, FPM	9611992749	9611992749	9611992749	9611992749
44	2	Guide vanes	9612361301	9612361301	9612361301	9612361301
45	2	Impeller	9612360501	9612360501	9612360501	9612360501
46	1	Intermediate casing	9612361001	9612361001	9612361001	9612361001
47	1	Impeller screw	9612362701	9612362701	9612362701	9612362701
48	6	Bolt	9612363502	9612363502	9612363502	9612363502
49	1	Pump cover, IDF	9612389301	9612389301	9612389301	9612389301
	1	Pump cover, SMS	9612389302	9612389302	9612389302	9612389302
	1	Pump cover, DIN	9612389303	9612389303	9612389303	9612389303
	1	Pump cover, ISO	9612389304	9612389304	9612389304	9612389304
	1	Pump cover, BS	9612389305	9612389305	9612389305	9612389305
	1	Pump cover, flange DN50	9612389501	9612389501	9612389501	9612389501

LKH-113 Multi-Stage Centrifugal Pump, Single and Flushed Shaft Seal

FSS = Flushed Shaft Seal



LKH-113 Multi-Stage Centrifugal Pump, Single and Flushed Shaft Seal

Pos	Qty	Denomination	IEC100	IEC112	IEC132	IEC160
Legs						
50	4	Nut	9611990353	9611990353	9611990353	9611990587
51	4	Spring washer	9611991887	9611991887	9611991887	9611990676
52	4	Leg	9612396701	9612396701	9612396701	9612396701
53	4	Screw, (Period 9711-)	9611991126	9611991126	9611991126	9611991126
	4	Screw, (Period -9711)	9611991907	9611991907	9611991907	9611991907
54	1	Support bar, left	9612132305	9612132305	9612132306	9612132303
55	1	Support bar, right	9612132205	9612132205	9612132206	9612132203
56	4	Nut	9611990587			
57	4	Washer	9611990786	9611990786	9611990786	9611990706
58	4	Screw	9611991374	9611991374	9611991374	9611991834

C/SiC	SiC/SiC
-------	---------

Service kit for single shaft seal

Service kit, EPDM.	□ 9611922102	○ 9611922661
Service kit, NBR.	□ 9611922103	○ 9611922662
Service kit, FPM.	□ 9611922104	○ 9611922663

Service kit for flushed shaft seal

Service kit, EPDM.	◆ 9611922105	★ 9611922664
Service kit, NBR.	◆ 9611922106	★ 9611922665
Service kit, FPM.	◆ 9611922107	★ 9611922666

Parts marked with □○★ are included in the service kits.

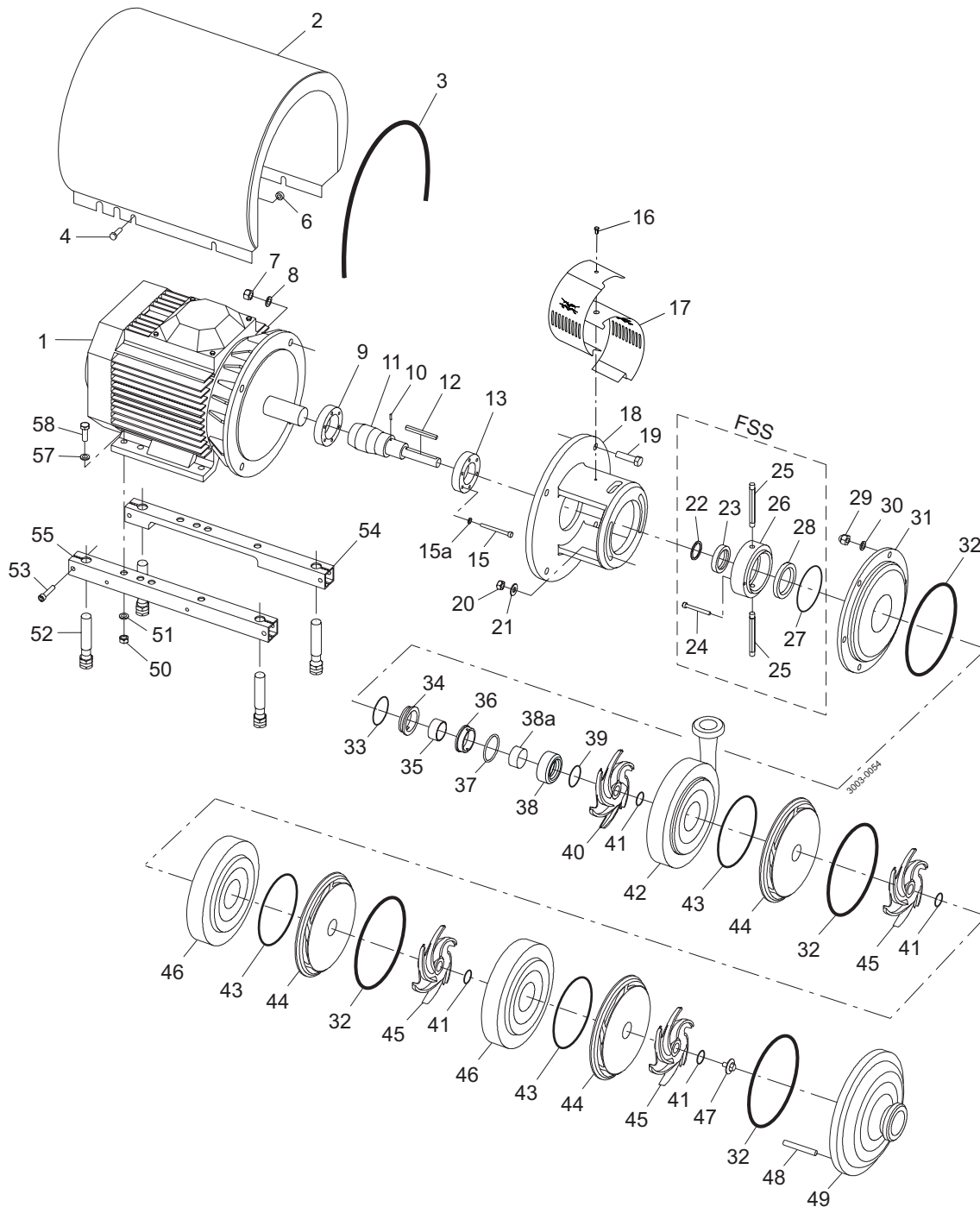
Conversion single to flushed shaft seal : Please order flushed service kit + pos. 23+24+25+26

Recommended Spare parts: Service kits.

(900023/7)

LKH-114 Multi-Stage Centrifugal Pump, Single and Flushed Shaft Seal

FSS = Flushed Shaft Seal



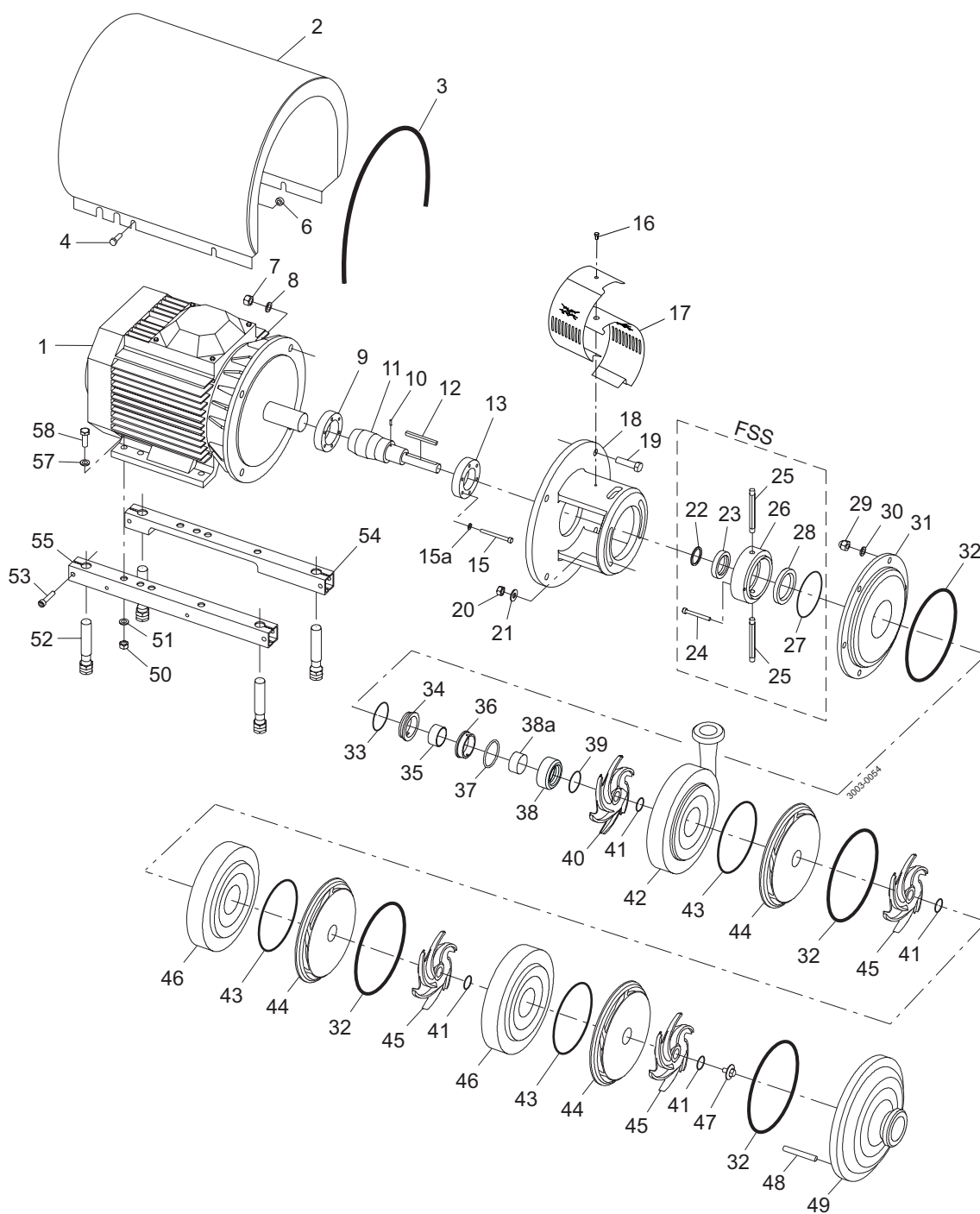
LKH-114 Multi-Stage Centrifugal Pump, Single and Flushed Shaft Seal

Pos	Qty	Denomination	5.5 kW IEC132	7.5 kW IEC132	11 kW IEC160	15 kW IEC160	18.5 kW IEC160	22 kW IEC180
1	1	Motor, ABB 3000rpm	9614303007	9614303008	9614303009	9614303010	9614303011	9614303012
	1	* Motor, ABB 3000rpm special	9614289503	9614289504	9614289505	9614289506	9614289507	9614289509
2	1	Shroud complete	9612139008	9612139008	9612139005	9612139005	9612139005	9612139006
3	1	Edge list, (Incl. in pos. 2) ...						

* For system pressure 10-40 bar.

Pos	Qty	Denomination	IEC132	IEC160	IEC180
4	4	Screw	9611993240	9611993241	9611993243
6	4	Distance sleeve	9611992737	3143803902	3143803901
7	4	Nut for adaptor	9611990587	9611992160	9611992160
8	4	Washer for adaptor	9611990676	9611991886	9611991886
9	1	Compression ring with thread	9612133605	9612133603	9612133604
10	1	Connex pin for flushed shaft seal	9611990622	9611990622	9611990622
11	1	Shaft for single shaft seal	9612362003	9612362103	9612514801
	1	Shaft with pin (pos.10) for flushed shaft seal	9612362006	9612362106	9612514802
12	1	Key	9611992758	9611992758	9611992758
13	1	Compression ring without thread	9612133705	9612133703	9612133704
15	6	Screw	9611993197	9611993198	9611993198
15a	6	Washer	9611993199	9611993199	9611993199
16	1	Screw for safety guard	9611993239	9611993239	9611993239
17	1	Safety guard set	9614077403	9614077404	9614077404
18	1	Adaptor	9612342501	9612342601	9612342601
19	4	Screw for adaptor	9611992162	9611992163	9611992164
20	2	Nut	9611990353	9611990353	9611990353
21	2	Washer	9611992559	9611992559	9611992559
29	6	Cap nut	9611992593	9611992593	9611992593
30	6	Washer	9611991887	9611991887	9611991887
31	1	Back plate, (LKH-114 0-10 bar)	9612389208	9612389208	9612389208
	1	Back plate, (LKH-114/P 10-40 bar)	9612389214	9612389214	9612389214
32	4	□♦○★ O-ring, EPDM (standard)	9611992744	9611992744	9611992744
	4	O-ring, NBR	9611992745	9611992745	9611992745
	4	O-ring, FPM	9611992746	9611992746	9611992746
35	1	Spacing ring	9612362501	9612362501	9612362501
38	1	Rotating seal housing	9612362401	9612362401	9612362401
60	1	Set of 8 springs for rotating sealhousing , (incl. In pos 38)	9611995848	9611995848	9611995848
40	1	Impeller	9612360401	9612360401	9612360401
41	4	□♦○★ O-ring, EPDM (standard)	9611992750	9611992750	9611992750
	4	O-ring, NBR	9611992751	9611992751	9611992751
	4	O-ring, FPM	9611992752	9611992752	9611992752
42	1	Pump casing, IDF	9612388901	9612388901	9612388901
	1	Pump casing, SMS	9612388902	9612388902	9612388902
	1	Pump casing, DIN	9612388903	9612388903	9612388903
	1	Pump casing, ISO	9612388904	9612388904	9612388904
	1	Pump casing, BS	9612388905	9612388905	9612388905
	1	Pump casing, flange DN40	9612389401	9612389401	9612389401
43	3	□♦○★ O-ring, EPDM (standard)	9611992747	9611992747	9611992747
	3	O-ring, NBR	9611992748	9611992748	9611992748
	3	O-ring, FPM	9611992749	9611992749	9611992749
44	3	Guide vanes	9612361301	9612361301	9612361301
45	3	Impeller	9612360501	9612360501	9612360501
46	2	Intermediate casing	9612361001	9612361001	9612361001
47	1	Impeller screw	9612362701	9612362701	9612362701
48	6	Bolt	9612363503	9612363503	9612363503
49	1	Pump cover, IDF	9612389301	9612389301	9612389301
	1	Pump cover, SMS	9612389302	9612389302	9612389302
	1	Pump cover, DIN	9612389303	9612389303	9612389303
	1	Pump cover, ISO	9612389304	9612389304	9612389304
	1	Pump cover, BS	9612389305	9612389305	9612389305
	1	Pump cover, flange DN50	9612389501	9612389501	9612389501

Pos	Qty	Denomination	IEC132	IEC160	IEC180
Legs					
50	4	Nut	9611990353	9611990587	9611990587
51	4	Spring washer	9611991887	9611990676	9611990676
52	4	Leg	9612396701	9612396701	9612396701
53	4	Screw, (Period 9711-)	9611991126	9611991126	9611991126
	4	Screw, (Period -9711)	9611991907	9611991907	
54	1	Support bar, left	9612132306	9612132303	9612132204
55	1	Support bar, right	9612132206	9612132203	9612132304
57	4	Washer	9611990786	9611990706	9611990706
58	4	Screw	9611991374	9611991834	9611991834



	<u>C/SiC</u>	<u>SiC/SiC</u>
Service kit for single shaft seal		
Service kit, EPDM.	□ 9611922108	○ 9611922667
Service kit, NBR.	□ 9611922109	○ 9611922668
Service kit, FPM.	□ 9611922110	○ 9611922669
Service kit for flushed shaft seal		
Service kit, EPDM.	◆ 9611922111	★ 9611922670
Service kit, NBR.	◆ 9611922112	★ 9611922671
Service kit, FPM.	◆ 9611922113	★ 9611922672

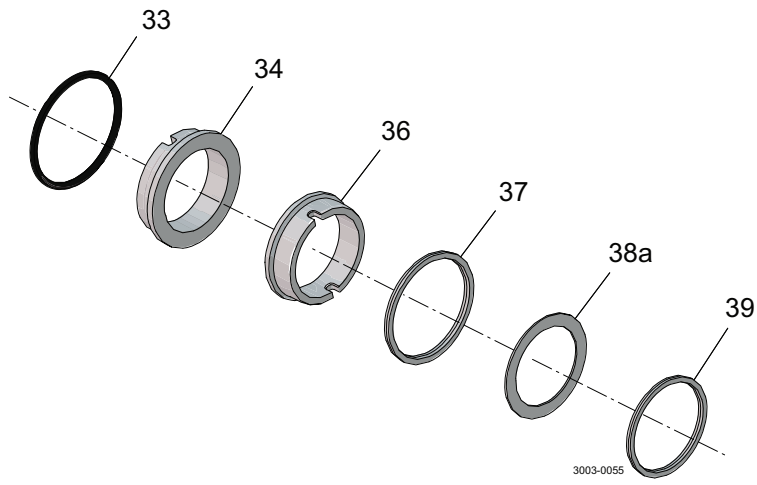
Parts marked with □◆○★ are incl. in the service kits.

Conversion single to flushed shaft seal : Please order flushed service kit + pos. 23+24+25+26

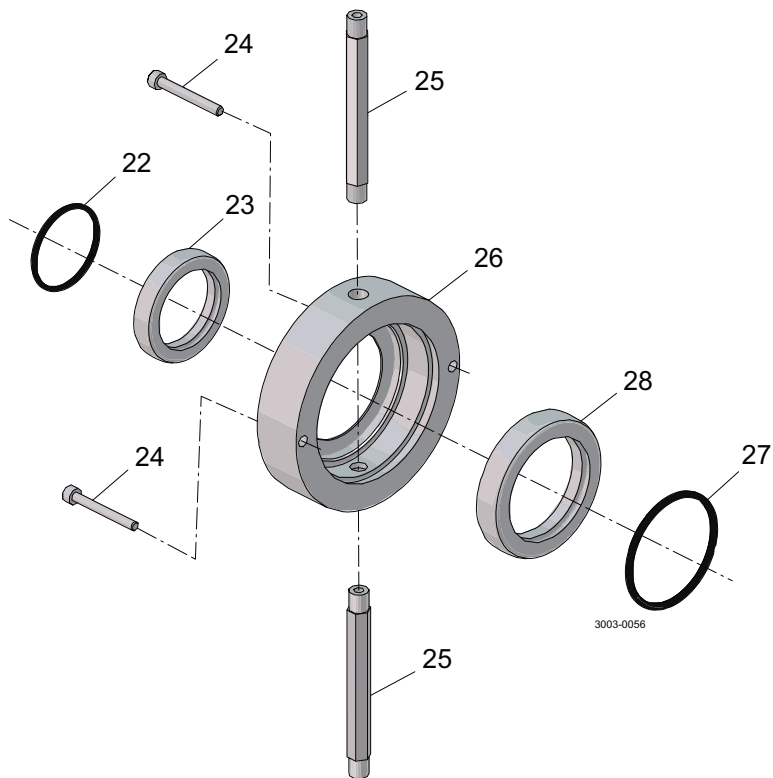
Recommended Spare parts: Service kits

(900024/8)

Single shaft seal



Flushed shaft seal



LKH-112-114 Multi-Stage Centrifugal Pump, Shaft Seals

Pos Qty Denomination 5.5-18.5 kW

Parts for flushed shaft seal

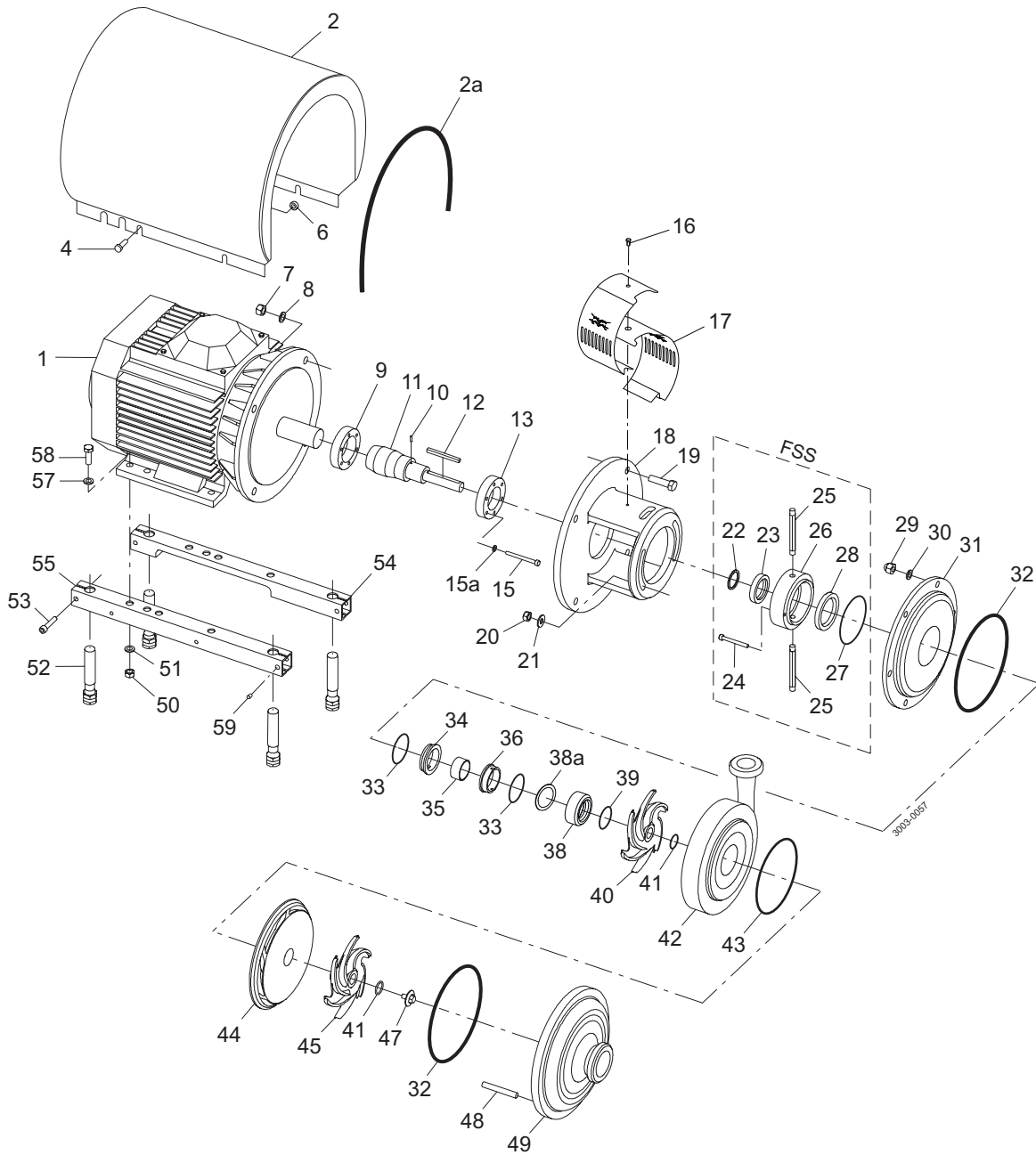
22	◆◆	1	O-ring, EPDM	9611992754
23		1	Sleeve	9612362901
24		2	Screw	9611990203
25		2	Tube	9612358901
26		1	Seal housing, for flushed seal	9612362601
27	◆◆	1	O-ring, EPDM	9611992753
28	◆◆	1	Lip seal	9611992860

Pos	Qty	Denomination	EPDM (standard)	NBR	FPM
□◆		Shaft seal complete	9612362201	9612362202	9612362203
33	1	O-ring			
34	1	Stationary seal ring, Sic.			
36	1	Rotating seal ring, Carbon			
37	1	Quad ring			
38a	1	Support ring, PTFE			
39	1	Quad ring			

Pos	Qty	Denomination	EPDM (standard)	NBR	FPM
Alternatives					
○★		Shaft seal complete	9612362204	9612362205	9612362206
33	1	O-ring			
34	1	Stationary seal ring, Sic.			
36	1	Rotating seal ring, Sic.			
37	1	Quad ring			
38a	1	Support ring, PTFE			
39	1	Quad ring			

(900200/2)

FSS = Flushed shaft seal

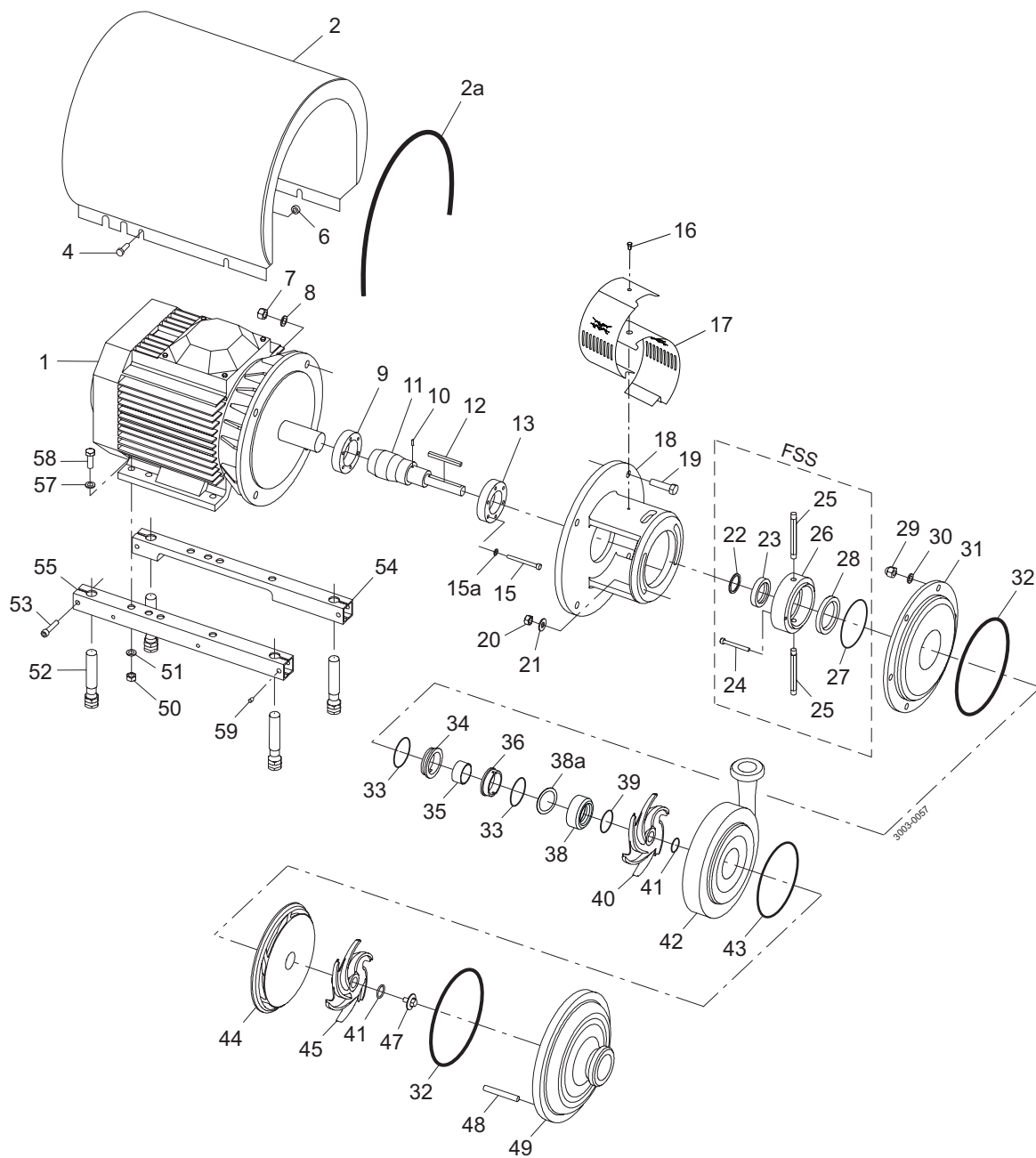


LKH-122/P Multi-Stage Centrifugal Pump, Single and Flushed Shaft Seal

Pos	Qty	Denomination	22 kW IEC180	30 kW IEC200	37 kW IEC200	45 kW IEC200
1	1	Motor, ABB 3000rpm	9614289509	9614289510	9614289511	9614289512
2	1	Shroud complete	9612139006	9612593801	9612593801	9612593801
2a	1	Edge list, (incl. in pos. 2)				

3~,50 Hz, 230VD/400-415VY - Standard ≤ 22 kW and 400-415VD/690VY Standard > 22 kW
 3~,60 Hz, 440-460VY - Standard ≤ 22 kW and 440-460VD Standard > 22 kW

Pos	Qty	Denomination	IEC180	IEC200
4	4	Screw	9611993240	9611993243
6	4	Distance sleeve	3143803901	3143803903
7	4	Nut for adaptor	9611992160	9611992160
8	4	Washer for adaptor	9611991886	9611991886
9	1	Compression ring with thread	9612133604	9612133607
10	1	Connex pin	9611990622	9611990622
11	1	Shaft and pin (pos 10)	9612592001	9612592101
12	1	Key	9611993476	9611993476
13	1	Compression ring without thread	9612133704	9612133707
15	6	Screw	9611993198	9611993198
15a	6	Washer	9611993199	9611993199
16	1	Screw for safety guard	9611993239	9611993239
17	1	Safety guard set	9614077404	9614077404
18	1	Adaptor	9612342601	9612342701
19	4	Screw for adaptor	9611992164	9611992164
20	4	Nut	9611990353	9611990353
21	4	Washer	9611992559	9611992559
29	11	Cap nut	9611993685	9611993685
30	11	Washer	9611993684	9611993684
31	1	Back plate	9612389224	9612389224
32	□♦○★	2 O-ring, EPDM (standard)	9611993574	9611993574
		2 O-ring, NBR	9611993575	9611993575
35	1	Spacing ring	9612362503	9612362503
38	1	Rotating seal housing	9612604501	9612604501
60	1	Set of 14 springs for rotating sealhousing, (incl. In pos 38)	9611995849	9611995849
40	1	Impeller, LKH-120P	9612590604	9612590604
41	□♦○★	2 O-ring, EPDM (standard)	9611993578	9611993578
		2 O-ring, NBR	9611993579	9611993579
42	1	Pump casing, flange	9612592301	9612592301
	1	Pump casing, clamp	9612592302	9612592302
43	□♦○★	1 O-ring, EPDM (standard)	9611993582	9611993582
		1 O-ring, NBR	9611993583	9611993583
44	1	Guide vanes	9612590302	9612590302
45	1	Impeller, LKH-120P	9612590603	9612590603
47	1	Impeller, screw	9612591304	9612591304
	1	Impeller, screw (period -0211)	9612591301	9612591301
48	11	Bolt	9612363506	9612363506
49	1	Pump cover, flange	9612592401	9612592401
	1	Pump cover, clamp	9612592402	9612592402
Legs				
50	4	Nut	9611990587	9611990587
51	4	Spring washer	9611990676	9611990676
52	4	Leg	9612396701	9612396701
53	4	Screw	9611991907	9611991907
54	1	Support bar, left	9612342204	9612342201
55	1	Support bar, right	9612342204	9612342201
57	4	Washer	9611990706	9611990706
58	4	Screw	9611993680	9611993680
59	4	Pivot screw		9611991763
Tool				
		Tool		9612927801



	<u>C/SiC</u>	<u>SiC/SiC</u>
Service kit for single shaft seal		
Service kit, EPDM	□ 9611922409	○ 9611922673
Service kit, NBR	□ 9611922410	○ 9611922674
Service kit for flushed shaft seal		
Service kit, EPDM	◆ 9611922412	★ 9611922676
Service kit, NBR	◆ 9611922413	★ 9611922677

Parts marked with □◆○★ are included in the service kits.

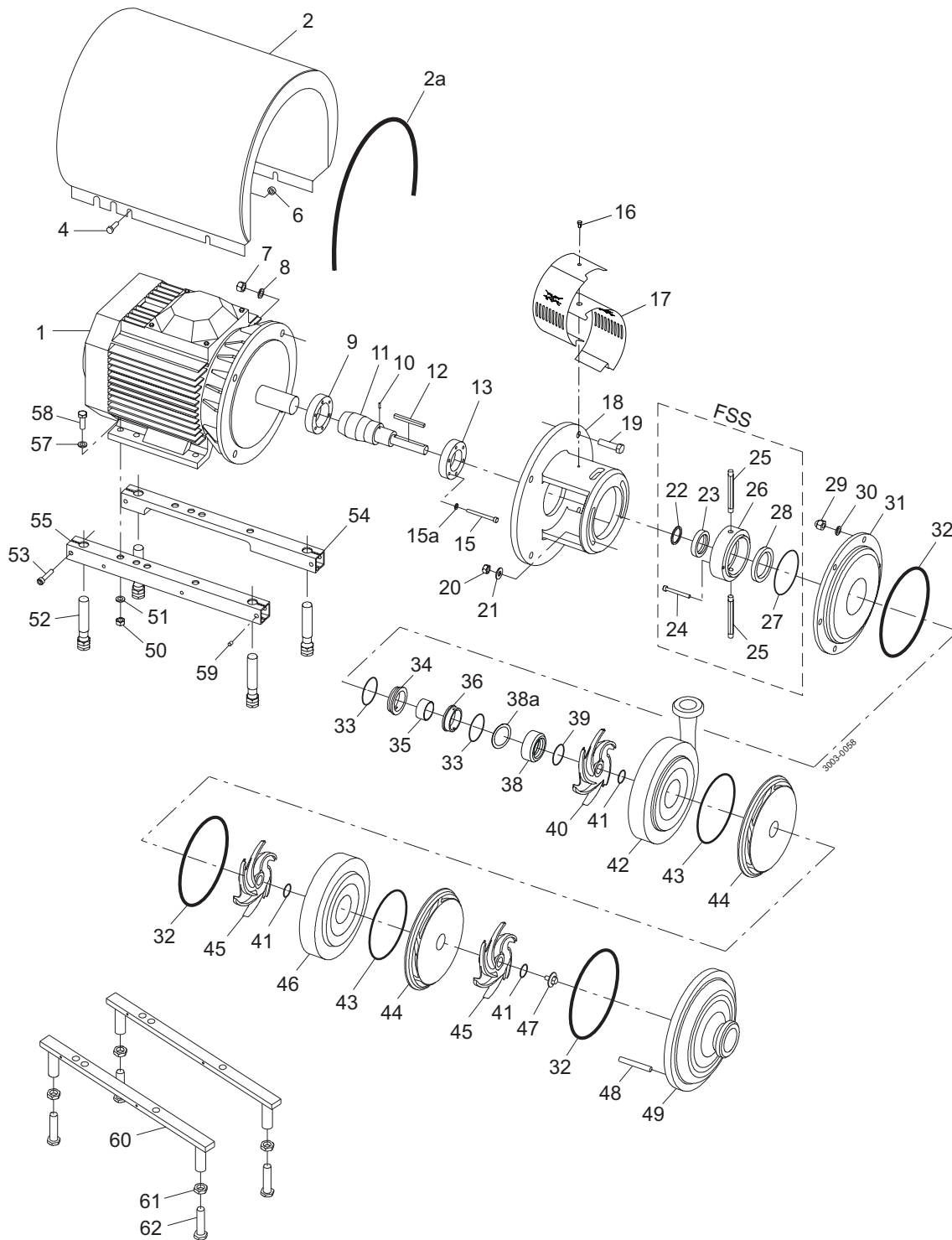
Conversion single to flushed shaft seal : Please order flushed service kit + pos. 23+24+25+26

Recommended Spare parts: Service kits.

(900046/9)

LKH-123/P Multi-Stage Centrifugal Pump, Single and Flushed Shaft Seal

FSS = Flushed shaft seal



Legs for motor sizes 55-75 kW

LKH-123/P Multi-Stage Centrifugal Pump, Single and Flushed Shaft Seal

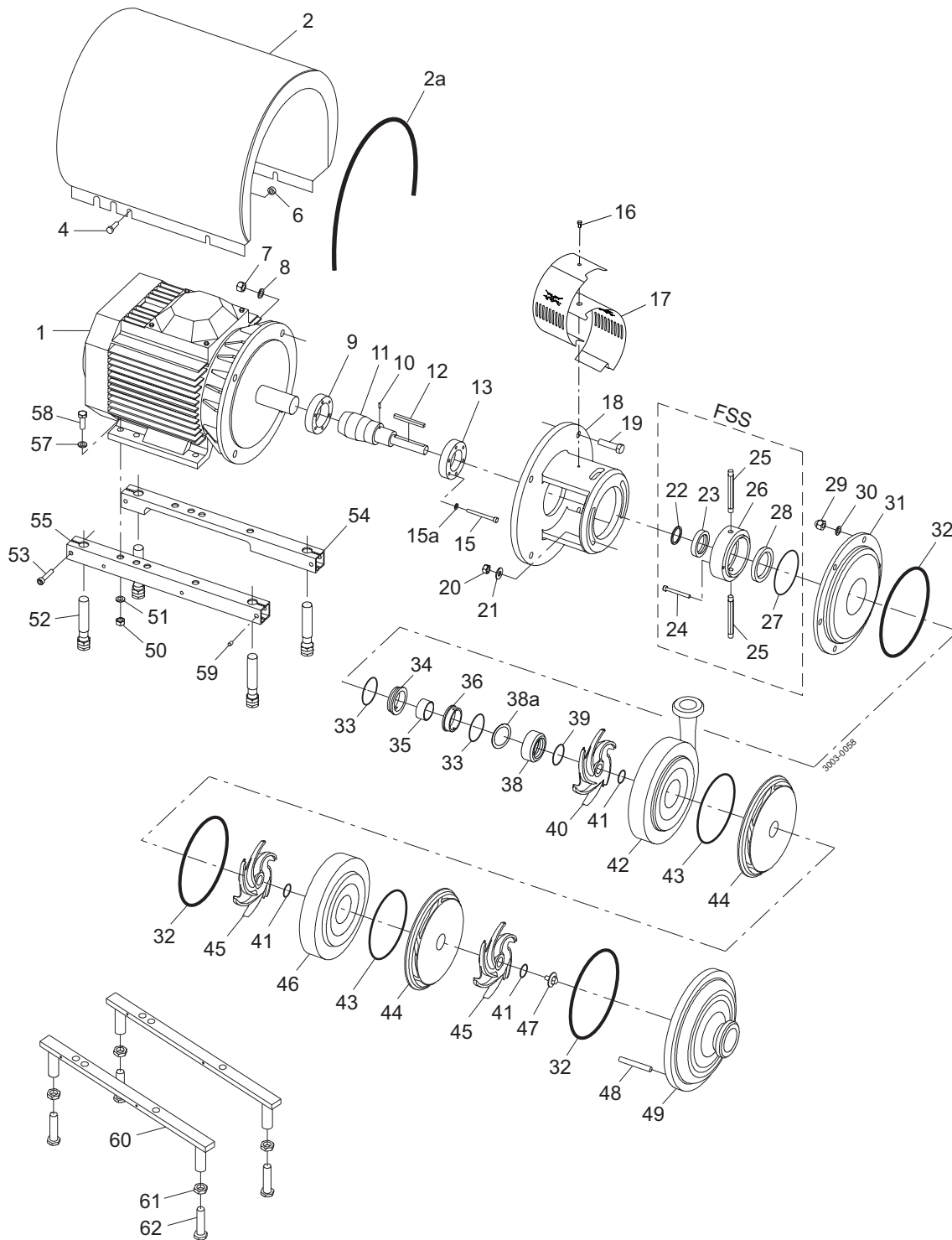
Pos	Qty	Denomination	22kW IEC180	30 kW IEC200	37 kW IEC200	45 kW IEC200	55 kW IEC250	75 kW IEC250
1	1	Motor, ABB 3000rpm	9614289509	9614289510	9614289511	9614289512	9614289513	9614289514
2	1	Shroud complete	9612139006	9612593801	9612593801	9612593801	9612593804	9612593804
2a	1	Edge list, (incl. in pos. 2) ...						

3~,50 Hz, 230VD/400-415VY - Standard ≤ 22 kW and 400-415VD/690VY Standard > 22 kW
 3~,60 Hz, 440-460VY - Standard ≤ 22 kW and 440-460VD Standard > 22 kW

Pos	Qty	Denomination	IEC180	IEC200	IEC250
4	4	Screw	9611993240	9611993243	9611993242
6	4	Distance sleeve	3143803901	3143803903	3143803901
7	4	Nut for adaptor	9611992160	9611992160	9611992160
8	4	Washer for adaptor	9611991886	9611991886	9611991886
9	1	Compression ring with thread	9612133604	9612133607	9612133608
10	1	Connex pin	9611990622	9611990622	9611990622
11	1	Shaft and pin , (pos 10)	9612592002	9612592102	9612592202
12	1	Key	9611993476	9611992758	9611992758
13	1	Compression ring without thread	9612133704	9612133707	9612133708
15	6	Screw	9611993198	9611993198	9611993266
15a	6	Washer	9611993199	9611993199	9611993199
16	1	Screw for safety guard	9611993239	9611993239	9611993239
17	1	Safety guard set	9614077404	9614077404	9614077418
18	1	Adaptor	9612342601	9612342701	9612591501
19	4	Screw for adaptor	9611992164	9611992164	9611992200
20	4	Nut	9611990353	9611990353	9611990353
21	4	Washer	9611992559	9611992559	9611992559
29	11	Cap nut	9611993685	9611993685	9611993685
30	11	Washer	9611993684	9611993684	9611993684
31	1	Back plate	9612389224	9612389224	9612389224
32	□♦○★	3 O-ring, EPDM (standard)	9611993574	9611993574	9611993574
		3 O-ring, NBR	9611993575	9611993575	9611993575
35	1	Spacing ring	9612362503	9612362503	9612362503
38	1	Rotating seal housing	9612604501	9612604501	9612604501
60	1	Set of 14 springs for rotating sealhousing, (incl. In pos 38)	9611995849	9611995849	9611995849
40	1	Impeller LKH-120P	9612590604	9612590604	9612590604
41	□♦○★	3 O-ring, EPDM (standard)	9611993578	9611993578	9611993578
		3 O-ring, NBR	9611993579	9611993579	9611993579
42	1	Pump casing, flange	9612592301	9612592301	9612592301
	1	Pump casing, clamp	9612592302	9612592302	9612592302
43	□♦○★	2 O-ring, EPDM (standard)	9611993582	9611993582	9611993582
	2	O-ring, NBR	9611993583	9611993583	9611993583
44	2	Guide vanes	9612590302	9612590302	9612590302
45	2	Impeller LKH-120P	9612590603	9612590603	9612590603
46	1	Intermediate casing	9612590902	9612590902	9612590902
47	1	Impeller screw	9612591304	9612591304	9612591304
	1	Impeller screw, (Period -0211)	9612591301	9612591301	9612591301
48	11	Bolt	9612363506	9612363507	9612363507
49	1	Pump cover, flange	9612592401	9612592401	9612592401
	1	Pump cover, clamp	9612592402	9612592402	9612592402
Legs					
50	4	Nut	9611990587	9611990587	9611990935
51	4	Spring washer	9611990676	9611990676	9611993267
52	4	Leg	9612396701	9612396701	
53	4	Screw	9611991907	9611991907	
54	1	Support bar, left	9612342204	9612342201	
55	1	Support bar, right	9612342204	9612342201	
57	4	Washer	9611990706	9611990706	9611993269
58	4	Screw	9611993680	9611993680	9611993268
59	4	Pivot screw		9611991763	
60	2	Leg bracket		9612518401	
61	4	Nut for leg		9611993260	
62	4	Screw for leg			9612518501
Tool					
		Tool		9612927801	

LKH-123/P Multi-Stage Centrifugal Pump, Single and Flushed Shaft Seal

FSS = Flushed shaft seal



Legs for motor sizes 55-75 kW

	<u>C/SiC</u>	<u>SiC/SiC</u>
Service kit for single shaft seal		
Service kit, EPDM	□ 9611922934	○ 9611922679
Service kit, NBR	□ 9611922935	○ 9611922680
Service kit for flushed shaft seal		
Service kit, EPDM	◆ 9611922937	★ 9611922682
Service kit, NBR	◆ 9611922938	★ 9611922683

Parts marked with □◆○★ are included in the service kits.

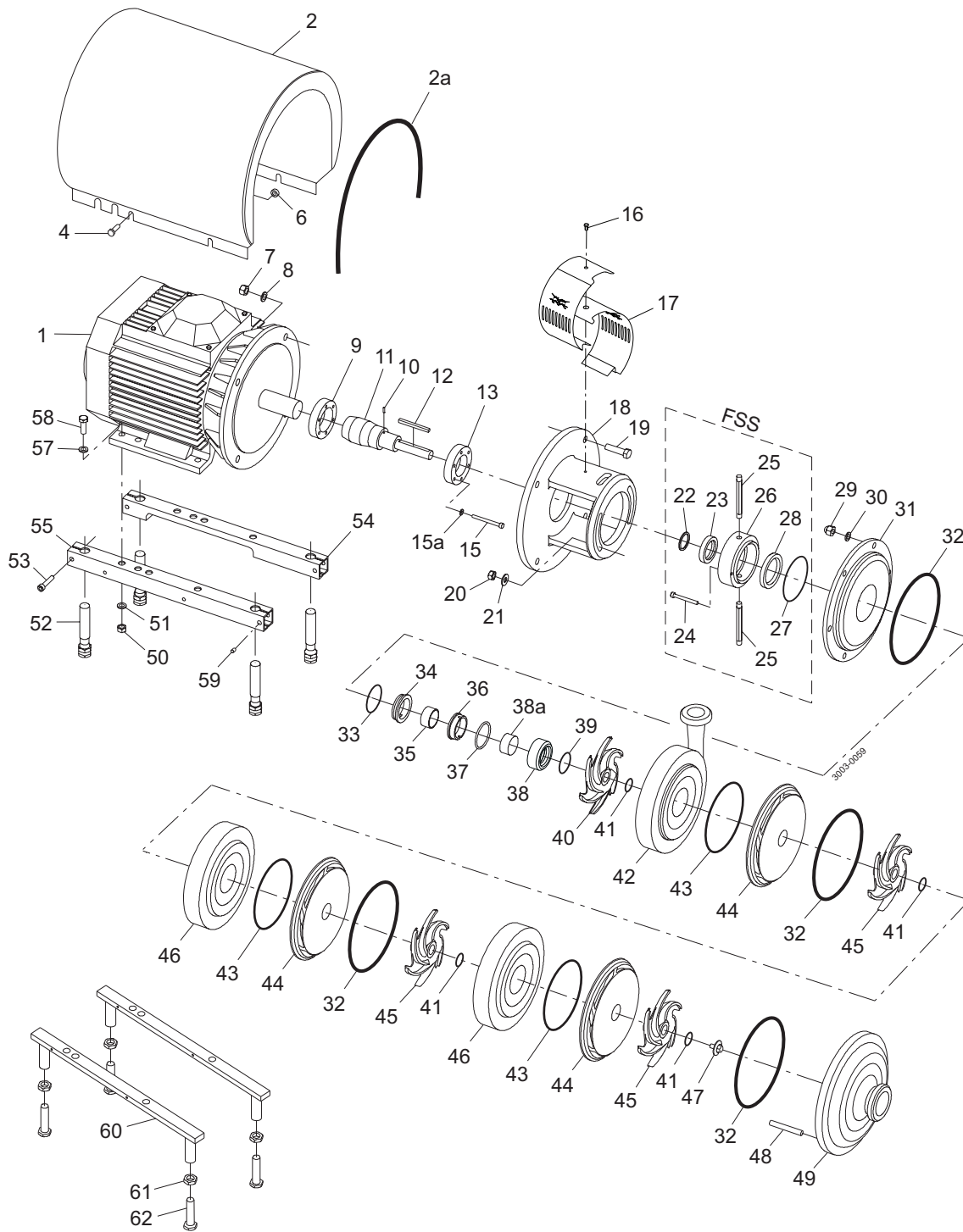
Conversion single to flushed shaft seal : Please order flushed service kit + pos. 23+24+25+26

Recommended Spare parts: Service kits.

(900235/10)

LKH-124/P Multi-Stage Centrifugal Pump, Single and Flushed Shaft Seal

FSS = Flushed shaft seal



Legs for motor sizes 55-75 kW

LKH-124/P Multi-Stage Centrifugal Pump, Single and Flushed Shaft Seal

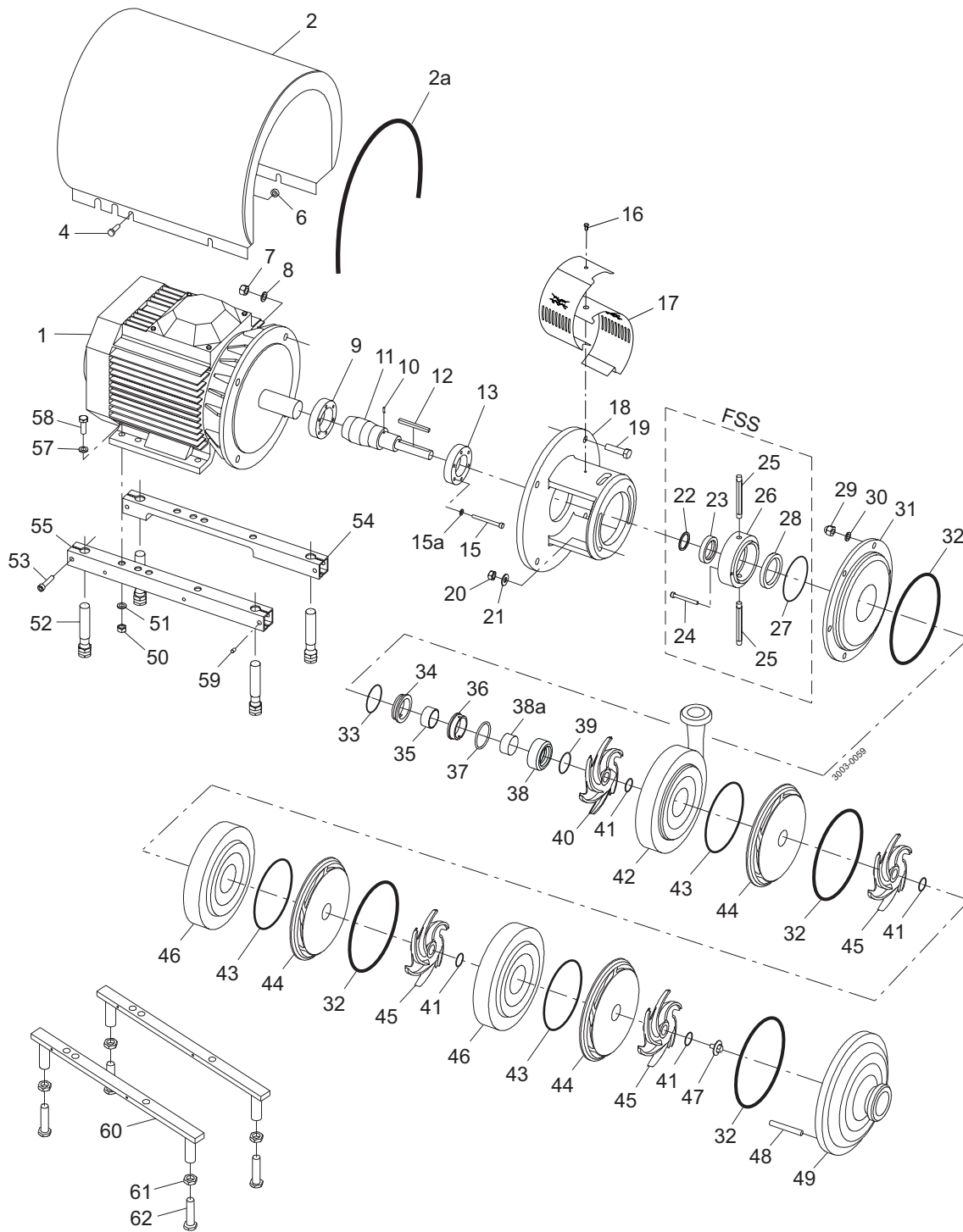
Pos	Qty	Denomination	30 kW	37 kW	45 kW	55 kW	75 kW
			IEC200	IEC200	IEC200	IEC250	IEC250
1	1	Motor, 3000rpm	9614289510	9614289511	9614289512	9614289513	9614289514
2	1	Shroud complete	9612593801	9612593801	9612593801	9612593804	9612593804
2a	1	Edge list, (incl. in pos. 2)					

3~,50 Hz, 230VD/400-415VY - Standard ≤ 22 kW and 400-415VD/690VY Standard > 22 kW
 3~,60 Hz, 440-460VY - Standard ≤ 22 kW and 440-460VD Standard > 22 kW

Pos	Qty	Denomination	IEC200	IEC250
4	4	Screw	9611993243	9611993242
6	4	Distance sleeve	3143803903	3143803901
7	4	Nut for adaptor	9611992160	9611992160
8	4	Washer for adaptor	9611991886	9611991886
9	1	Compression ring with thread	9612133607	9612133608
10	1	Connex pin	9611990622	9611990622
11	1	Shaft and pin (pos. 10)	9612592103	9612592203
12	1	Key	9611993474	9611993474
13	1	Compression ring without thread	9612133707	9612133708
15	6	Screw	9611993198	9611993266
15a	6	Washer	9611993199	9611993199
16	1	Screw for safety guard	9611993239	9611993239
17	1	Safety guard set	9614077404	9614077418
18	1	Adaptor	9612342701	9612591501
19	4	Screw for adaptor	9611992164	9611992200
20	4	Nut	9611990353	9611990353
21	4	Washer	9611992559	9611992559
29	11	Cap nut	9611993685	9611993685
30	11	Washer	9611993684	9611993684
31	1	Back plate	9612389224	9612389224
32	□♦○★	4 O-ring, EPDM (standard)	9611993574	9611993574
		4 O-ring, NBR	9611993575	9611993575
35	1	Spacing ring	9612362503	9612362503
38	1	Rotating seal housing	9612604501	9612604501
60	1	Set of 14 springs for rotating sealhousing, (incl. In pos 38)	9611995849	9611995849
40	1	Impeller LKH-120P	9612590604	9612590604
41	□♦○★	4 O-ring, EPDM (standard)	9611993578	9611993578
		4 O-ring, NBR	9611993579	9611993579
42	1	Pump casing, flange	9612592301	9612592301
	1	Pump casing, clamp	9612592302	9612592302
43	□♦○★	3 O-ring, EPDM (standard)	9611993582	9611993582
		3 O-ring, NBR	9611993583	9611993583
44	3	Guide vanes	9612590302	9612590302
45	3	Impeller LKH-120P	9612590603	9612590603
46	2	Intermediate casing	9612590902	9612590902
47	1	Impeller screw	9612591304	9612591304
	1	Impeller screw, (period -0211)	9612591301	9612591301
48	11	Bolt	9612363508	9612363508
49	1	Pump cover, flange	9612592401	9612592401
	1	Pump cover, clamp	9612592402	9612592402
Legs				
50	4	Nut	9611990587	9611990935
51	4	Spring washer	9611990676	9611993267
52	4	Leg	9612396701	
53	4	Screw	9611991907	
54	1	Support bar, left	9612342201	
55	1	Support bar, right	9612342201	
57	4	Washer	9611990706	9611993269
58	4	Screw	9611993680	9611993268
59	4	Pivot screw	9611991763	
60	2	Leg bracket		9612518401
61	4	Nut for leg		9611993260
62	4	Screw for leg		9612518501
Tool				
		Tool	9612927801	

LKH-124/P Multi-Stage Centrifugal Pump, Single and Flushed Shaft Seal

FSS = Flushed shaft seal



Legs for motor sizes 55-75 kW

	<u>C/SiC</u>	<u>SiC/SiC</u>
Service kit for single shaft seal		
Service kit, EPDM	□ 9611922940	○ 9611922685
Service kit, NBR	□ 9611922941	○ 9611922686
Service kit for flushed shaft seal		
Service kit, EPDM	◆ 9611922943	★ 9611922688
Service kit, NBR	◆ 9611922944	★ 9611922689

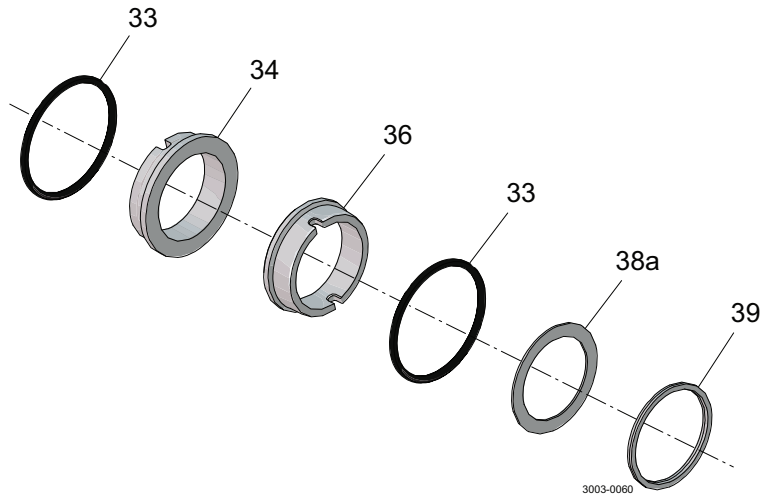
Parts marked with □◆○★ are included in the service kits.

Conversion single to flushed shaft seal : Please order flushed service kit + pos. 23+24+25+26

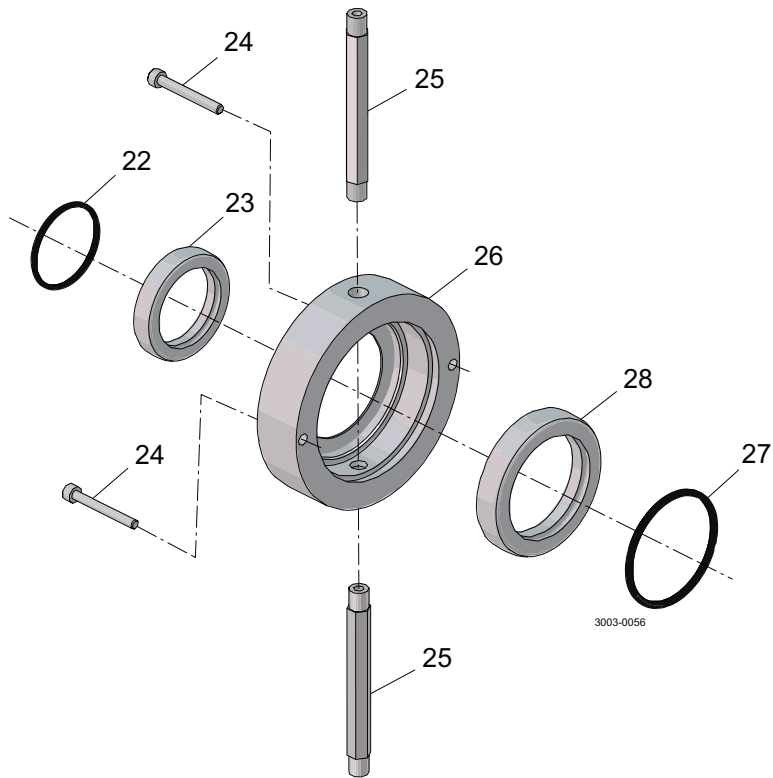
Recommended Spare parts: Service kits.

(900236/9)

Single shaft seal



Flushed shaft seal



LKH-122-124/P Multi-Stage Centrifugal Pump, Shaft Seal

Pos Qty Denomination 30-75kW

For flushed shaft seal

22	◆◆	1	O-ring, EPDM	9611993586
23		1	Sleeve	9612362903
24		2	Screw	9611994038
25		2	Tube	9612358909
26		1	Seal housing for flushed seal	9612362603
27	◆◆	1	O-ring, EPDM	9611992753
28	◆◆	1	Lip seal	9611993587

Pos	Qty	Denomination	EPDM (standard)	NBR
□◆		Shaft seal complete	9612602401	9612602402
34	1	Stationary seal ring, Sic.		
36	1	Rotating seal ring, Carbon		
33	2	O-ring		
38a	1	Support ring		
39	1	O-ring		

Pos	Qty	Denomination	EPDM	NBR
Alternatives				
○★		Shaft seal complete	9612602404	9612602405
34	1	Stationary seal ring, Sic.		
36	1	Rotating seal ring, Sic.		
33	2	O-ring		
38a	1	Support ring		
39	1	O-ring		

(900237/6)

How to contact Alfa Laval

Contact details for all countries are continually updated on our website.

Please visit www.alfalaval.com to access the information directly.

© Alfa Laval Corporate AB

This document and its contents is owned by Alfa Laval Corporate AB and protected by laws governing intellectual property and thereto related rights. It is the responsibility of the user of this document to comply with all applicable intellectual property laws. Without limiting any rights related to this document, no part of this document may be copied, reproduced or transmitted in any form or by any means (electronic, mechanical, photocopying, recording, or otherwise), or for any purpose, without the expressed permission of Alfa Laval Corporate AB. Alfa Laval Corporate AB will enforce its rights related to this document to the fullest extent of the law, including the seeking of criminal prosecution.