

Three speed pumps | export model*

WITA U 75

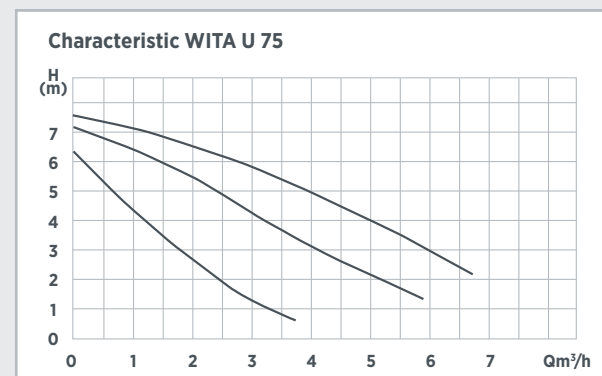
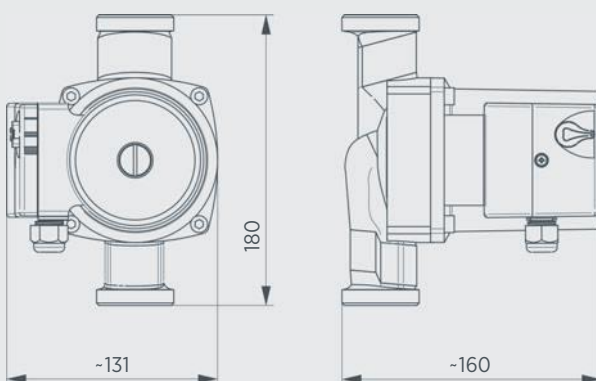
Product specials

- Warranty
- Cataphoresis coated pump housing



Technical Data

Max. pump lift	7.5 m
Max. flow rate	6.500 l/h
Power consumption	122 - 172 W
Supply voltage	1 x 230V, 50 Hz
Motor protection	No external motor protection required
Ip rating	IP 42
Ambient temperature	0 °C to +40 °C
Media temperature	+5 °C to +110 °C
Temperature class	TF 110 as per CEN 335-2-51
Max. system pressure	10 bar
Connection size	DN, 25, DN 32
Installation lengths	130 mm, 180 mm
Pump housing material	variant in grey cast iron, cataphoresis coated
Weight incl. insulation	3.9 kg



* available only outside the EU