

EUROSWIM

SWIMMING POOL CENTRIFUGAL ELECTRIC PUMPS



TECHNICAL DATA

Operating range: up to 42 m³/h with head of up to 22 metres.

Pumped liquid: clean water, or slightly contaminated water with suspended solid debris, or long fibres; highly aggressive water with high percentage of chlorine/bromine and PHMB (Polyhexamethylene biguanide), or chlorine electrolysis treated water.

PH Range: 6,5-8,4.

Pumped liquid temperature range: up to 60 °C.

Maximum ambient temperature: 50 °C.

Maximum operating pressure: 2.5 bar.

Nominal working pressure: 0,8 - 1,2 Bar (ideally 1 Bar).

Installation: fixed or portable, horizontal position.

Special executions on request: alternative frequencies and voltages.

Connectors on request: 2"/50 - 63 (two connectors+O-ring - see "Accessories") kit.

Standard of reference: IEC - 60364.

Protection class of the motor : IP55.

Protection class at the terminal board: IP 55.

Insulation class: F

Standard voltage: single-phase 220/240 V - 50 Hz.
three-phase 230/400 V - 50 Hz

APPLICATIONS

High performance self-priming centrifugal electric pumps with built-in high capacity prefilter. Motor completely isolated from the water. Extremely quiet and highly reliable, developed for water circulation and filtration in domestic and residential swimming pools. Also suitable for specific applications requiring handling of aggressive liquids in the fishing, agricultural, and industrial sectors.

CONSTRUCTION FEATURES OF THE PUMP

Fibreglass reinforced technopolymer pump body. Transparent antioxidant polycarbonate prefilter cover ensuring constant visibility over the long period. Nylon strainer. Fibreglass reinforced technopolymer impeller designed to ensure total cover and insulation of the motor shaft from the pumped liquid. Reinforced technopolymer diffuser. Carbon / alumina / NBR / AISI 316 mechanical seal. NBR pump body O-ring, AISI 316 stainless steel reinforcement ring nuts and screws. Butterfly filling and drain plugs that can be removed and refitted without tools.

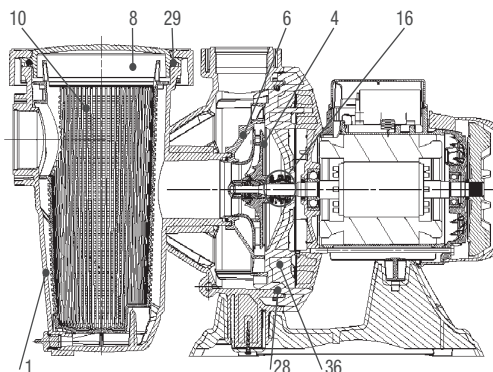
CONSTRUCTION FEATURES OF THE MOTOR

Continuous service 2-pole asynchronous motor (S1) with a wide power range, from 0,5 HP to 3 HP, both single and three phase (see technical specifications). Die cast aluminium motor casing with cataphoresis paint coating to avoid oxidation also in aggressive environments. Support base supplied with rubber feet to reduce vibrations. Single phase version with built-in thermal and current protection, and permanent split capacitor (PSC) inside the terminal box for all versions.

MATERIALS

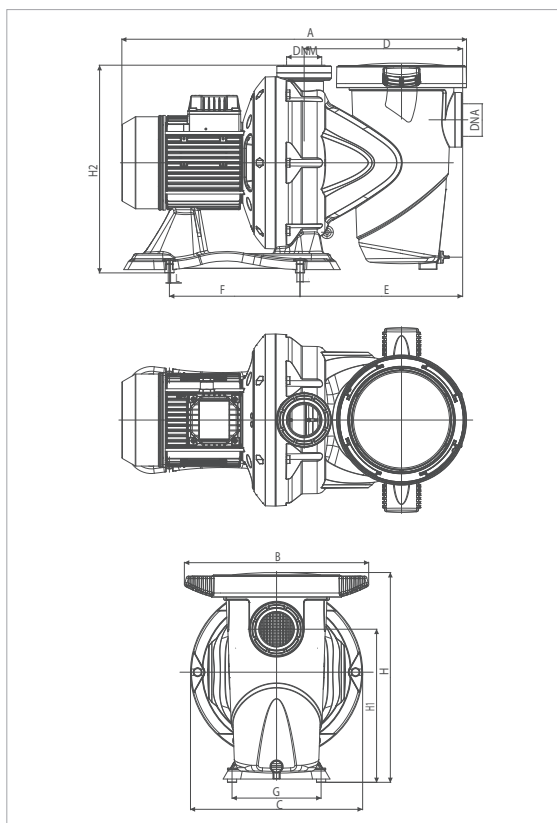
N.	PARTS*	MATERIALS
1	PUMP BODY	REINFORCED TECHNOPOLYMER
4	IMPELLER	REINFORCED TECHNOPOLYMER
6	DIFFUSER	REINFORCED TECHNOPOLYMER
8	STRAINER COVER	POLYCARBONATE
10	STRAINER	TECHNOPOLYMER
16	MECHANICAL SEAL	CARBON/ALUMINA/NBR/AISI316
28	O-RING	NBR
29	O-RING	NBR
36	SEAL HOLDING DISC	REINFORCED, STABILISED TECHNOPOLYMER

* In contact with the liquid

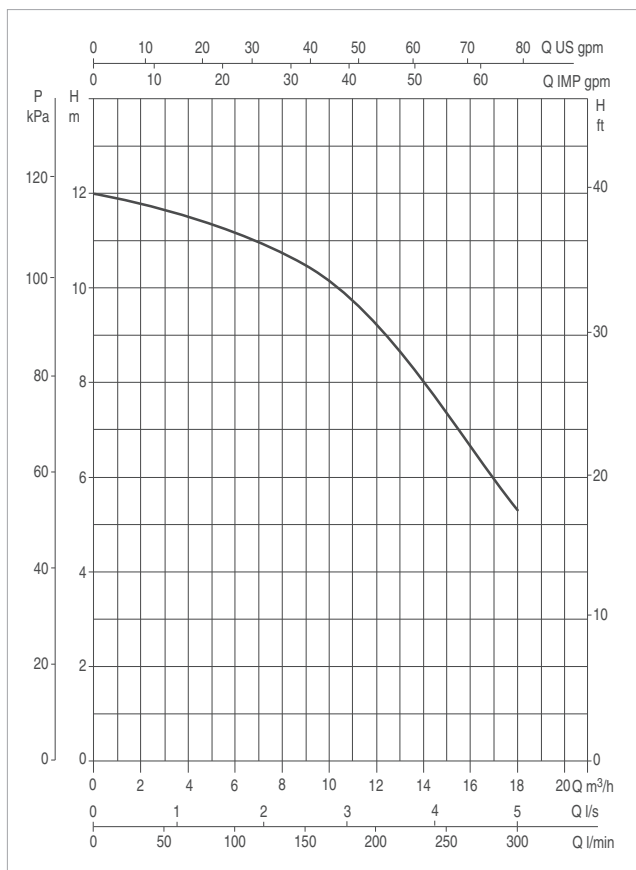


EUROSWIM 50 - SWIMMING POOL CENTRIFUGAL ELECTRIC PUMPS

Pumped liquid temperature range: up to 60 °C - Maximum ambient temperature: +50 °C



The performance curves are based on kinematic viscosity values = 1 mm²/s and density equal to 1000 kg/m³. Curve tolerance according to ISO 9906.



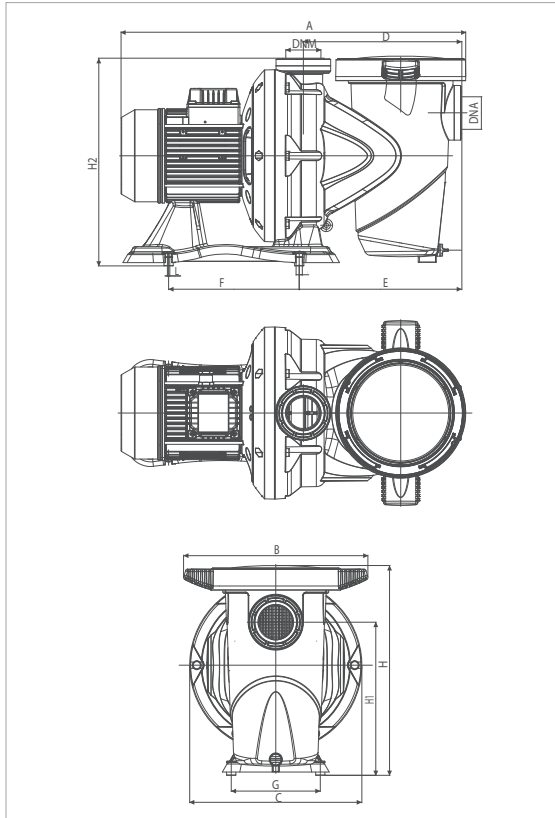
MODEL	Q= m ³ /h	0	3	6	9	12	18	21	24	30	36	42
	Q=l/min	0	50	100	150	200	300	350	400	500	600	700
EUROSWIM 50 M	H (m)	12,0	11,7	11,2	10,5	9,3	5,3					

MODEL	POWER INPUT 50 Hz	P1 MAX W	P2 NOMINAL		In A	CAPACITOR		NOISE LEVEL MAX db (A)
			kW	HP		µF	Vc	
EUROSWIM 50 M	1 x 220 - 240V ~	900	0,33	0,5	4,2	16	450	64

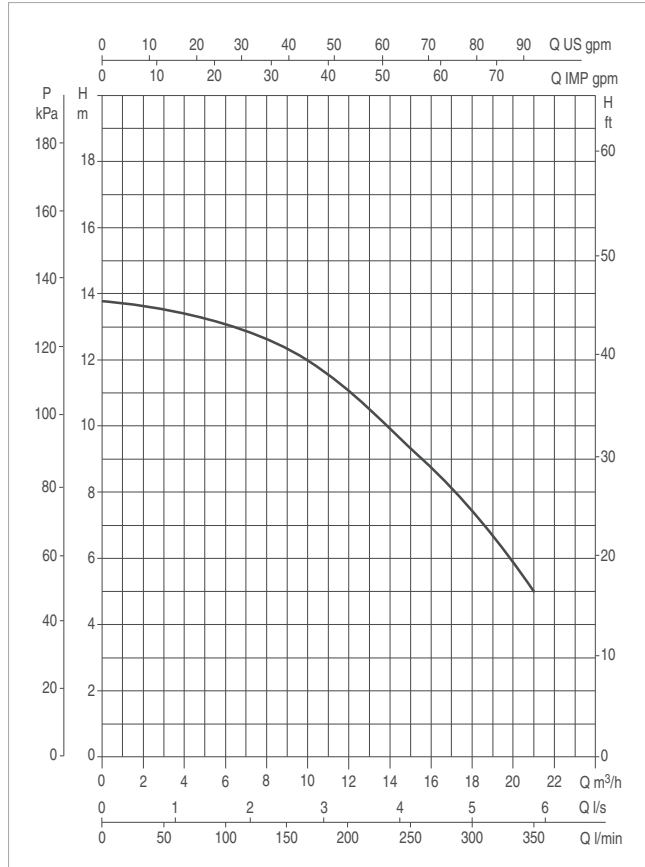
MODEL	A	B	C	D	E	F	G	H	H1	H2	I	L	DNA	DNM	PACKING DIMENSIONS			GROSS WEIGHT kg	Q.TY X PALLET
															L/A	L/B	H		
EUROSWIM 50 M	536	242	242	257	265	220	150	351	222	314	11	6,5	2"	2"	600	360	400	16	8

EUROSWIM 75 - SWIMMING POOL CENTRIFUGAL ELECTRIC PUMPS

Pumped liquid temperature range: up to 60 °C - Maximum ambient temperature: +50 °C



The performance curves are based on kinematic viscosity values = 1 mm²/s and density equal to 1000 kg/m³. Curve tolerance according to ISO 9906.



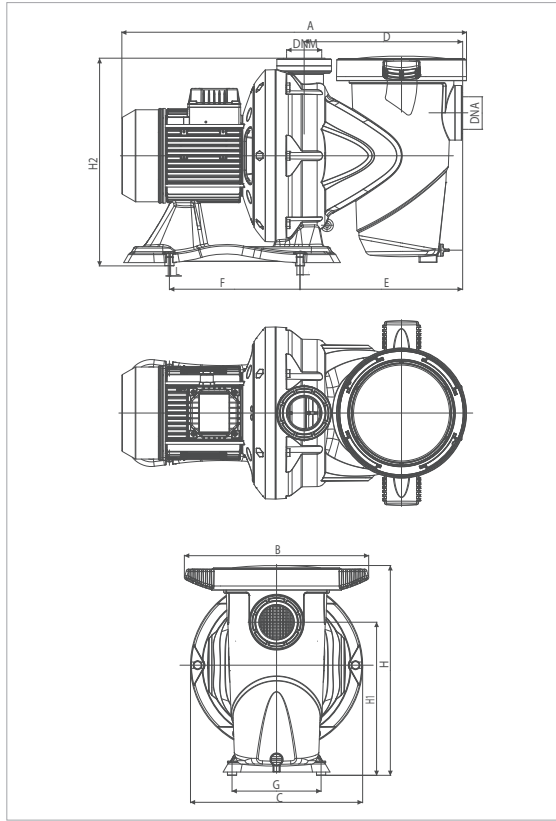
MODEL	Q= m ³ /h	0	3	6	9	12	18	21	24	30	36	42
	Q=l/min	0	50	100	150	200	300	350	400	500	600	700
EUROSWIM 75 M-T	H (m)	13,8	13,5	13,1	12,4	11,1	7,5	5				

MODEL	POWER INPUT 50 Hz	P1 MAX W	P2 NOMINAL		In A	CAPACITOR		NOISE LEVEL MAX db (A)
			kW	HP		µF	Vc	
EUROSWIM 75 M	1 x 220 - 240 V ~	1000	0,5	0,75	5	20	450	65
EUROSWIM 75 T	3 x 230-400 V ~	950	0,5	0,75	3.5 / 2	-	-	65

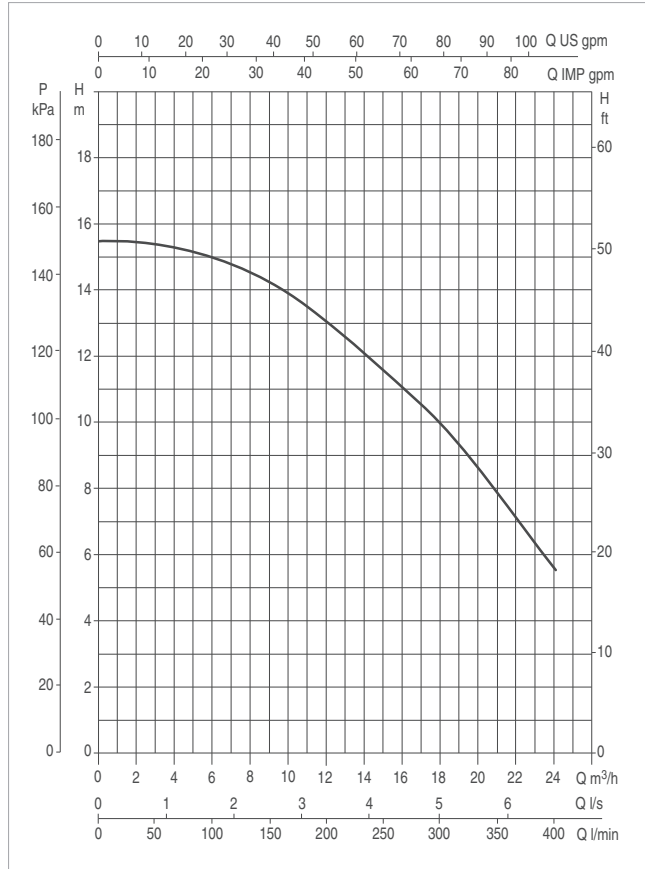
MODEL	A	B	C	D	E	F	G	H	H1	H2	I	L	DNA	DNM	PACKING DIMENSIONS			GROSS WEIGHT kg	Q.TY X PALLET
															L/A	L/B	H		
EUROSWIM 75 M	552	242	245	257	265	220	150	351	222	314	11	6,5	2"	2"	600	360	400	16,5	8
EUROSWIM 75 T	552	242	245	257	265	220	150	351	222	314	11	6,5	2"	2"	600	360	400	16,5	8

EUROSWIM 100 - SWIMMING POOL CENTRIFUGAL ELECTRIC PUMPS

Pumped liquid temperature range: up to 60 °C - Maximum ambient temperature: +50 °C



The performance curves are based on kinematic viscosity values = 1 mm²/s and density equal to 1000 kg/m³. Curve tolerance according to ISO 9906.



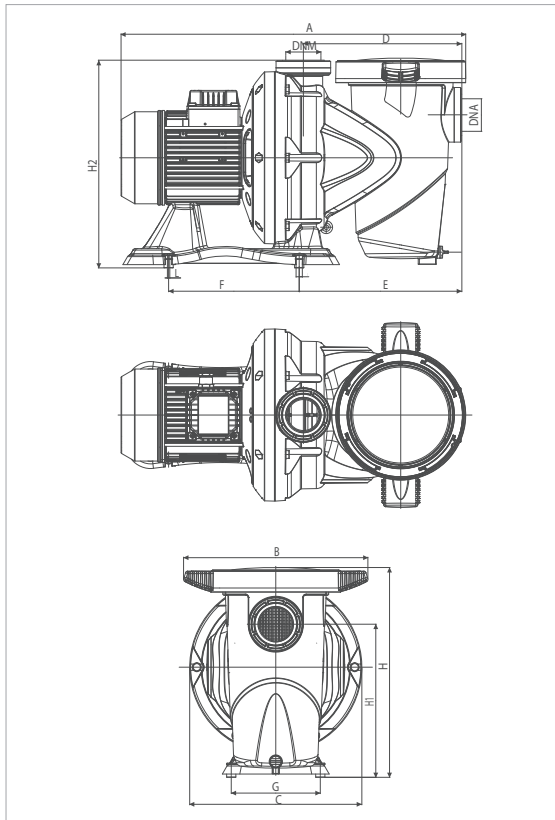
MODEL	Q= m ³ /h	0	3	6	9	12	18	21	24	30	36	42
	Q=l/min	0	50	100	150	200	300	350	400	500	600	700
EUROSWIM 100 M-T	H (m)	15,4	15,4	15	14,2	13,1	10,0	7,8	5,6			

MODEL	POWER INPUT 50 Hz	P1 MAX W	P2 NOMINAL		In A	CAPACITOR		NOISE LEVEL MAX db (A)
			kW	HP		µF	Vc	
EUROSWIM 100 M	1 x 220-240 V ~	1300	0,75	1	6,3	25	450	66
EUROSWIM 100 T	3 x 230-400 V ~	1200	0,75	1	4/2,4	-	-	66

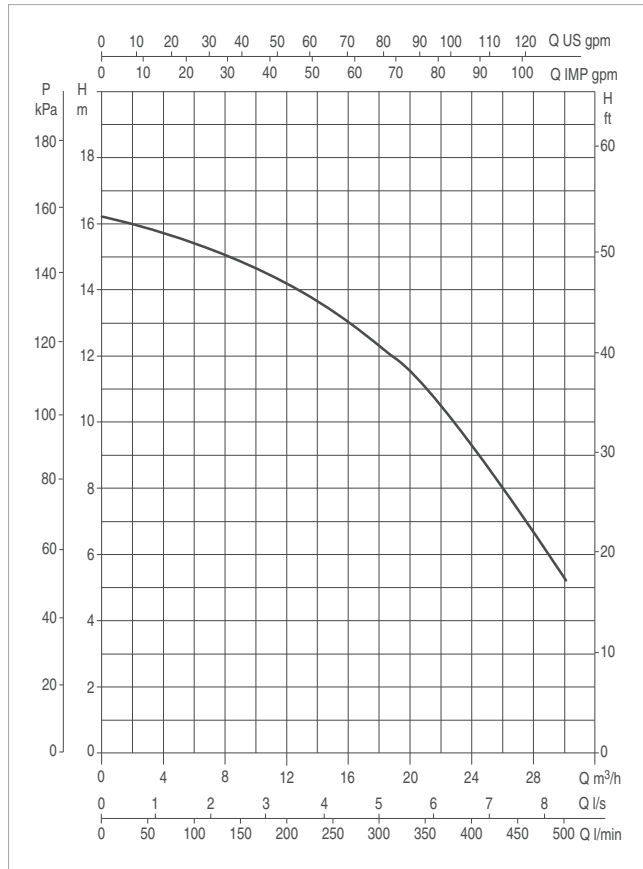
MODEL	A	B	C	D	E	F	G	H	H1	H2	I	L	DNA	DNM	PACKING DIMENSIONS			GROSS WEIGHT kg	Q.TY X PALLET
															L/A	L/B	H		
EUROSWIM 100 M	552	242	245	257	265	220	150	351	222	314	11	6,5	2"	2"	600	360	400	17	8
EUROSWIM 100 T	552	242	245	257	265	220	150	351	222	314	11	6,5	2"	2"	600	360	400	17	8

EUROSWIM 150 - SWIMMING POOL CENTRIFUGAL ELECTRIC PUMPS

Pumped liquid temperature range: up to 60 °C - Maximum ambient temperature: +50 °C



The performance curves are based on kinematic viscosity values = 1 mm²/s and density equal to 1000 kg/m³. Curve tolerance according to ISO 9906.



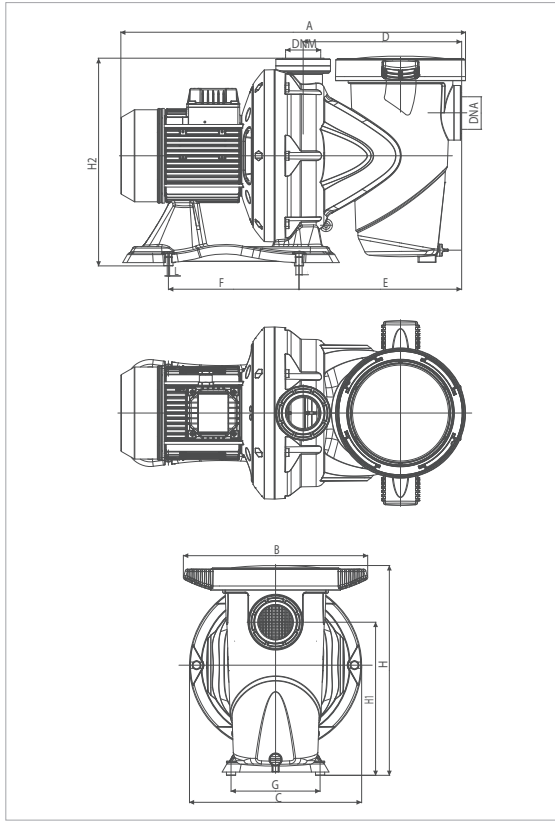
MODEL	Q= m³/h	0	3	6	9	12	18	21	24	30	36	42
	Q=l/min	0	50	100	150	200	300	350	400	500	600	700
EUROSWIM 150 M-T	H (m)	16,2	15,9	15,4	14,9	14,2	12,4	11,1	9,3	5,3		

MODEL	POWER INPUT 50 Hz	P1 MAX W	P2 NOMINAL		In A	CAPACITOR		NOISE LEVEL MAX db (A)
			kW	HP		µF	Vc	
EUROSWIM 150 M	1 x 220-240 V ~	1600	1,1	1,5	7	31,5	450	66
EUROSWIM 150 T	3 x 230-400 V ~	1500	1,1	1,5	6.5/3.7	-	-	66

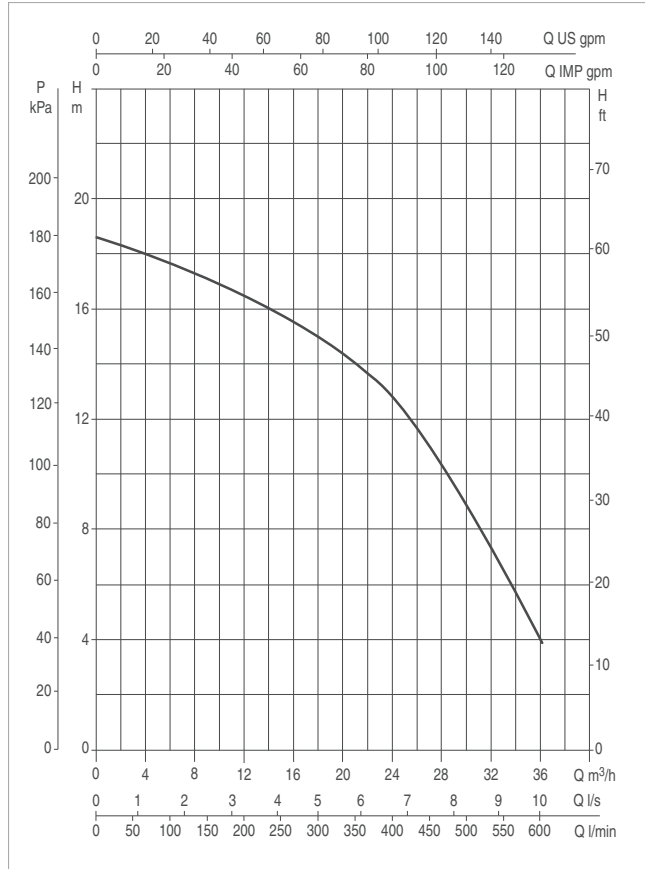
MODEL	A	B	C	D	E	F	G	H	H1	H2	I	L	DNA	DNM	PACKING DIMENSIONS			GROSS WEIGHT kg	Q.TY X PALLET
															L/A	L/B	H		
EUROSWIM 150 M	574	250	290	267	274	220	150	387	258	350	11	6,5	2"	2"	720	350	430	22	6
EUROSWIM 150 T	574	250	290	267	274	220	150	387	258	350	11	6,5	2"	2"	720	350	430	22	6

EUROSWIM 200 - SWIMMING POOL CENTRIFUGAL ELECTRIC PUMPS

Pumped liquid temperature range: up to 60 °C - Maximum ambient temperature: +50 °C



The performance curves are based on kinematic viscosity values = 1 mm²/s and density equal to 1000 kg/m³. Curve tolerance according to ISO 9906.



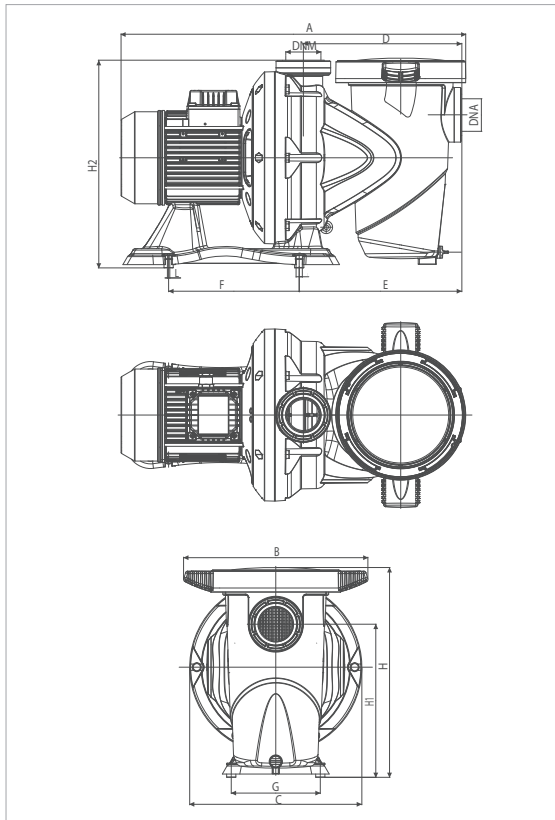
MODEL	Q= m ³ /h	0	3	6	9	12	18	21	24	30	36	42
	Q=l/min	0	50	100	150	200	300	350	400	500	600	700
EUROSWIM 200 M-T	H (m)	18,6	18,2	17,7	17,1	16,5	15,0	14,1	12,8	9,0	4	

MODEL	POWER INPUT 50 Hz	P1 MAX W	P2 NOMINAL		In A	CAPACITOR		NOISE LEVEL MAX db (A)
			kW	HP		µF	Vc	
EUROSWIM 200 M	1 x 220-240 V ~	1900	1,5	2	8,6	40	450	67
EUROSWIM 200 T	3 x 230-400 V ~	1900	1,5	2	7.2 / 4	-	-	67

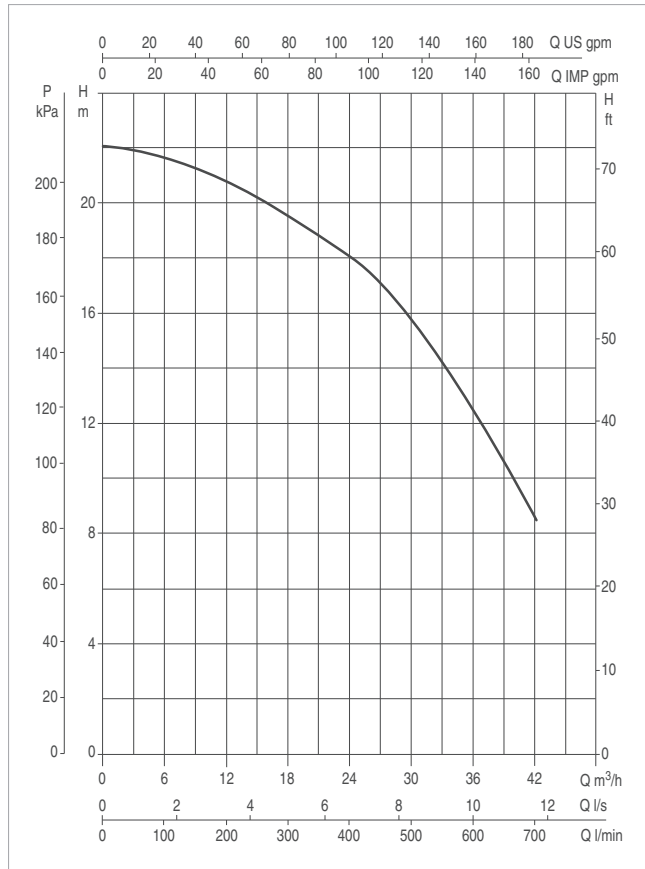
MODEL	A	B	C	D	E	F	G	H	H1	H2	I	L	DNA	DNM	PACKING DIMENSIONS			GROSS WEIGHT kg	Q.TY X PALLET
															L/A	L/B	H		
EUROSWIM 200 M	648	250	290	267	274	220	150	387	258	350	11	6,5	2"	2"	720	350	430	24	6
EUROSWIM 200 T	574	250	290	267	274	220	150	387	258	350	11	6,5	2"	2"	720	350	430	22	6

EUROSWIM 300 - SWIMMING POOL CENTRIFUGAL ELECTRIC PUMPS

Pumped liquid temperature range: up to 60 °C - Maximum ambient temperature: +50 °C



The performance curves are based on kinematic viscosity values = 1 mm²/s and density equal to 1000 kg/m³. Curve tolerance according to ISO 9906.



MODEL	Q= m ³ /h	0	3	6	9	12	18	21	24	30	36	42
	Q=l/min	0	50	100	150	200	300	350	400	500	600	700
EUROSWIM 300 M-T	H (m)	22,0	21,9	21,7	21,3	20,8	19,6	18,9	18,1	15,9	12,5	8,6

MODEL	POWER INPUT 50 Hz	P1 MAX W	P2 NOMINAL		In A	CAPACITOR		NOISE LEVEL MAX db (A)
			kW	HP		µF	Vc	
EUROSWIM 300 M	1 x 220-240 V ~	2800	2,2	3	12	40	450	64
EUROSWIM 300 T	3 x 230-400 V ~	2800	2,2	3	8.7/5	-	-	64

MODEL	A	B	C	D	E	F	G	H	H1	H2	I	L	DNA	DNM	PACKING DIMENSIONS			GROSS WEIGHT kg	Q.TY X PALLET
															L/A	L/B	H		
EUROSWIM 300 M	648	252	290	267	274	220	150	387	258	350	11	6,5	2"	2"	720	350	430	24,5	6
EUROSWIM 300 T	648	252	290	267	274	220	150	387	258	350	11	6,5	2"	2"	720	350	430	24,5	6

DNA[®]
PUMPS SELECTOR

On-line product selection



DAB PUMPS LTD.

Unit 4 and 5, Stortford Hall Industrial Park,
Dunmow Road,
Bishops Stortford,
Herts
CM23 5GZ - UK
salesuk@dwtgroup.com
Tel. +44 1279 652 776
Fax +44 1279 657 727



DAB PUMPS IBERICA S.L.

Avenida de Castilla nr.1 Local 14
28830 - San Fernando De Henares - Madrid
Spain
info.spain@dwtgroup.com
Tel. +34 91 6569545
Fax: +34 91 6569676



DAB PUMPS INC.

3226 Benchmark Drive
Ladson, SC 29456 - USA
info.usa@dwtgroup.com
Tel. 1-843-824-6332
Toll Free 1-866-896-4DAB (4322)
Fax 1-843-797-3366



DAB PUMPS B.V.

Brusselstraat 150
B-1702 Groot-Bijgaarden - Belgium
info.belgium@dwtgroup.com
Tel. +32 2 4668353
Fax +32 2 4669218



DAB PRODUCTION HUNGARY KFT.

H-8800
Nagykanizsa, Buda Ernő u.5
Hungary
Tel. +36 93501700



DWT SOUTH AFRICA

Podium at Menlyn,
3rd Floor, Unit 3001b, 43 Ingersol Road,
C/O Lois and Atterbury street,
Menlyn, Pretoria, 0181 - South-Africa
info.sa@dwtgroup.com
Tel. +27 12 361 3997
Fax +27 12 361 3137



DAB PUMPS B.V.

Albert Einsteinweg, 4
5151 DL Drunen - Nederland
info.netherlands@dwtgroup.com
Tel. +31 416 387280
Fax +31 416 387299



DAB PUMPS POLAND Sp. z o.o.

Mokotów Marynarska
ul. Postępu 15C
02-676 Warszawa - Poland
polska@dabpumps.com.pl
Tel. +48 223 816 085



DAB PUMPS CHINA

No.40 Kaituo Road, Qingdao Economic & Technological
Development Zone
Qingdao City, Shandong Province - China
PC: 266500
info.china@dwtgroup.com
Tel. +8653286812030-6270
Fax +8653286812210



DAB PUMPEN DEUTSCHLAND GmbH

Tackweg 11
D - 47918 Tönisvorst - Germany
info.germany@dwtgroup.com
Tel. +49 2151 82136-0
Fax +49 2151 82136-36



OOO DAB PUMPS

Novgorodskaya str. 1, block G
office 308, 127247, Moscow - Russia
info.russia@dwtgroup.com
Tel. +7 495 122 0035
Fax +7 495 122 0036



DAB PUMPS DE MÉXICO, S.A. DE C.V.

Av Gral Álvaro Obregón 270, oficina 355
Hipódromo, Cuauhtémoc 06100
México, D.F.
Tel. +52 55 6719 0493