

**Receiver**

**From**

Society  
Reference  
Address  
Phone  
Fax  
E-mail

**Item n° :**

60179849

**Model :**

EUROSWIM 200 T IE3

**Pump data**

Pressure rating : 2,5 bar (250 kPa)  
Min. fluid temperature : 0 °C  
Max. fluid temperature : 60 °C  
Max. Ambient temperature : 50 °C

**Requested data**

Flow :  
Head :  
Fluid : Water  
Fluid Temperature : 20 °C  
Density : 998,3 kg/m³  
Kinematic viscosity : 1,005 mm²/s  
Vapor pressure : 2,34 kPa

**Hydraulic data (duty point)**

Flow :  
Head :

**Materials**

Pump body Reinforced technopolymer  
Impeller Reinforced technopolymer  
Diffuser Reinforced technopolymer  
Filter Technopolymer  
Mechanical seal Carbon/Alumina/NBR/AISI316  
Filter cover Polycarbonate  
O-ring NBR

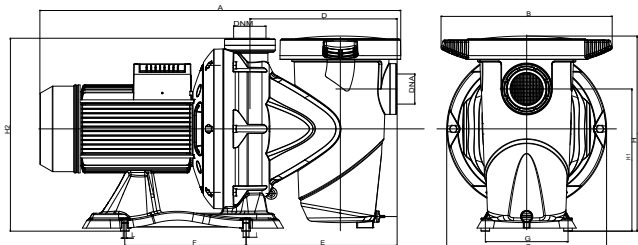
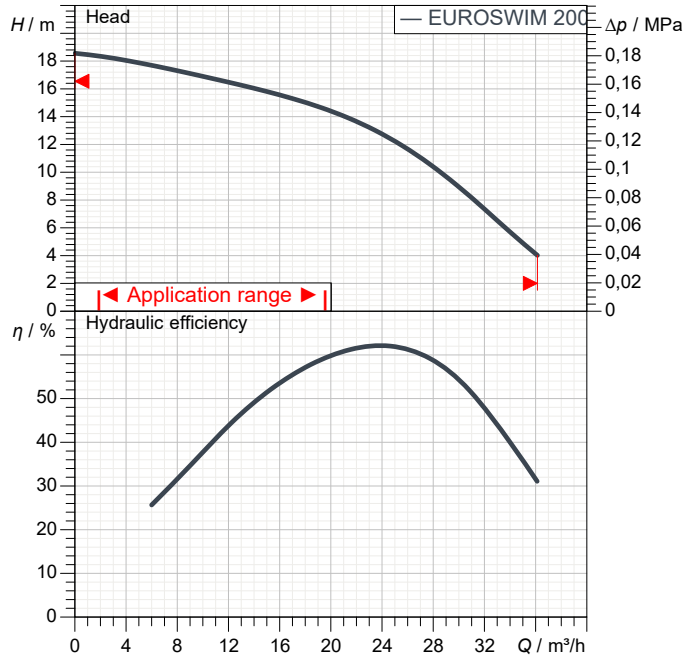
**Motor data**

Motor brand : DAB  
Nominal power P2 : 1,5 kW  
Rated speed : 2.900 1/min  
Rated voltage : 3~ 400 V 50 Hz  
Nominal current : 4 A  
Degree of protection : IP 55

**Pump connection**

Suction side : 2" G / 2,5 bar (250 kPa)  
Discharge side : 2" G / 2,5 bar (250 kPa)

**Curve tolerance according to ISO 9906**



**Weight :** 17,6 kg

**Dimensions in mm**

|     |     |   |     |
|-----|-----|---|-----|
| A   | 581 | L | 6,5 |
| B   | 311 |   |     |
| C   | 290 |   |     |
| D   | 267 |   |     |
| DNA | G2" |   |     |
| DNM | G2" |   |     |
| E   | 274 |   |     |
| F   | 220 |   |     |
| G   | 150 |   |     |
| H   | 353 |   |     |
| H1  | 258 |   |     |
| H2  | 350 |   |     |
| I   | 11  |   |     |



# PERFORMANCE CURVES

DAB PUMPS S.p.A.  
Via Marco Polo, 14 - 35035 Mestrino (PD), Italy  
Tel. +39 049 5125000 - Fax +39 049 5125950  
www.dabpumps.com

2021-01-25

Page 2 / 3

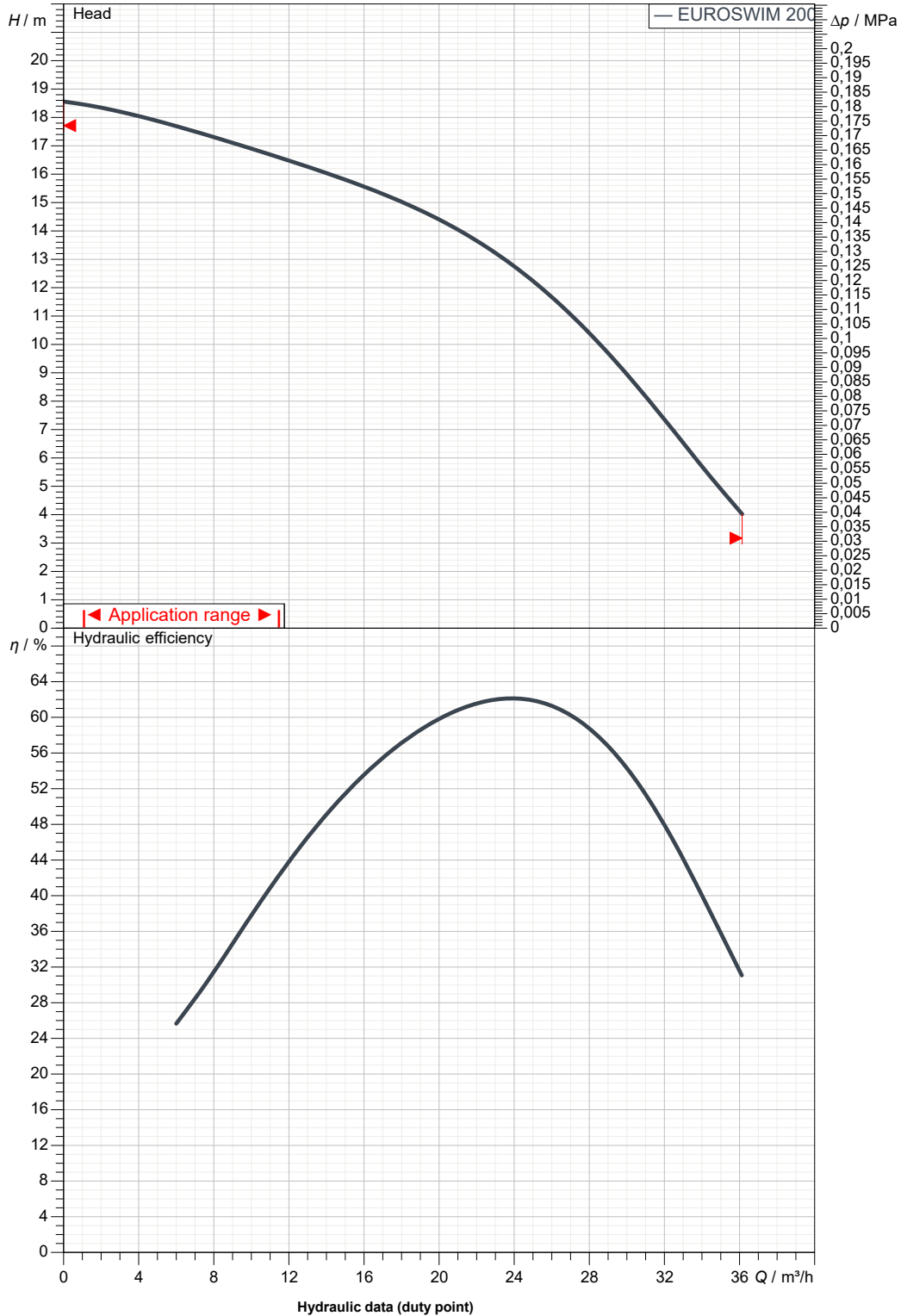
Receiver

From

Society  
Reference  
Address  
Phone  
Fax  
E-mail

## EUROSWIM 200 T IE3

Curve tolerance according to ISO 9906



Suction side :  
2" G  
2,5 bar (250 kPa)

Discharge side :  
2" G  
2,5 bar (250 kPa)

Flow :

Head :

Rated speed :  
2.900 1/min

MAIN\_PROJECT\_TITLE

BUSINESS\_PROCESS\_ID

OWNER\_

ISSUE\_DATE



# DIMENSIONAL DRAWING

DAB PUMPS S.p.A.  
Via Marco Polo, 14 - 35035 Mestrino (PD), Italy  
Tel. +39 049 5125000 - Fax +39 049 5125950  
www.dabpumps.com

2021-01-25

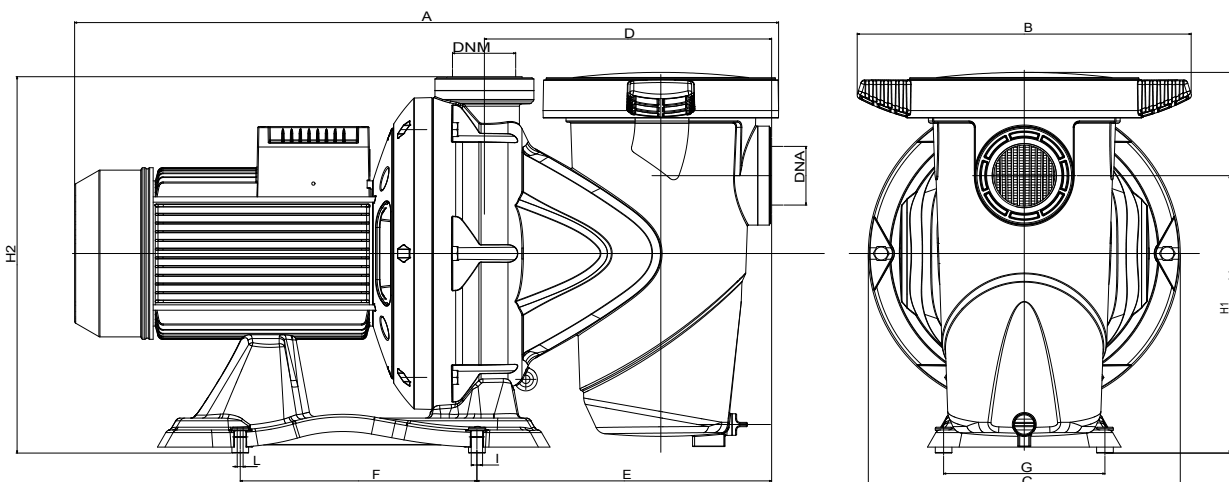
Page 3 / 3

Receiver

From

Society  
Reference  
Address  
Phone  
Fax  
E-mail

## EUROSWIM 200 T IE3



### Dimensions in mm

### Pump connection

|    |     |     |   |     |  |  |  |  |                   |
|----|-----|-----|---|-----|--|--|--|--|-------------------|
| 1  | A   | 581 | I | 11  |  |  |  |  |                   |
| 2  | B   | 311 | L | 6,5 |  |  |  |  |                   |
| 3  | C   | 290 |   |     |  |  |  |  | Suction           |
| 4  | D   | 267 |   |     |  |  |  |  | 2" G              |
| 5  | DNA | G2" |   |     |  |  |  |  | 2,5 bar (250 kPa) |
| 6  | DNM | G2" |   |     |  |  |  |  |                   |
| 7  | E   | 274 |   |     |  |  |  |  | Discharge         |
| 8  | F   | 220 |   |     |  |  |  |  | 2" G              |
| 9  | G   | 150 |   |     |  |  |  |  | 2,5 bar (250 kPa) |
| 10 | H   | 353 |   |     |  |  |  |  |                   |
| 11 | H1  | 258 |   |     |  |  |  |  |                   |
| 12 | H2  | 350 |   |     |  |  |  |  |                   |

MAIN\_PROJECT\_TITLE

BUSINESS\_PROCESS\_ID

OWNER

ISSUE\_DATE