

## NX 3069 SH 3~ Adaptive 270

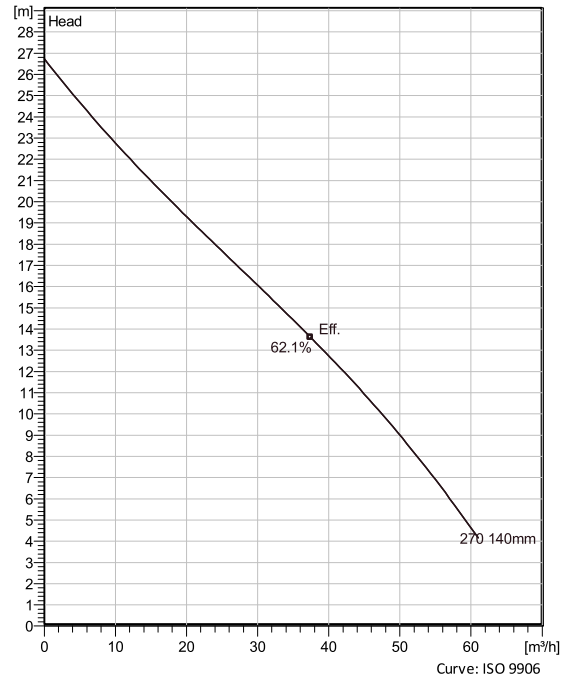
Patented self cleaning semi-open channel impeller, ideal for pumping in most waste water applications. Possible to be upgraded with Guide-pin® for even better clogging resistance. Modular based design with high adaptation grade.



### Technical specification



Curves according to: Water, pure [100%], 4 °C, 999.9 kg/m<sup>3</sup>, 1.5692 mm<sup>2</sup>/s



### Configuration

<b>Motor number</b> N3069.160 13-10-2BB-W 2.4KW	<b>Installation type</b> X - Optional installation, Wet
<b>Impeller diameter</b> 140 mm	<b>Discharge diameter</b> 50 mm

### Pump information

<b>Impeller diameter</b> 140 mm
<b>Discharge diameter</b> 50 mm
<b>Inlet diameter</b> 100 mm
<b>Maximum operating speed</b> 2780 1/min
<b>Number of blades</b> 2
<b>Max. fluid temperature</b> 40 °C

### Materials

<b>Impeller</b> Grey cast iron
<b>Stator housing material</b> Grey cast iron

Block

Created on 1/18/2021

Last update

1/18/2021

# NX 3069 SH 3~ Adaptive 270

## Technical specification



### Motor - General

---

<b>Motor number</b> N3069.160 13-10-2BB-W 2.4KW	<b>Phases</b> 3~	<b>Rated speed</b> 2780 1/min	<b>Rated power</b> 2.4 kW
<b>Approval</b> No	<b>Number of poles</b> 2	<b>Rated current</b> 5.1 A	<b>Stator variant</b> 1
<b>Frequency</b> 50 Hz	<b>Rated voltage</b> 400 V	<b>Insulation class</b> F	<b>Type of Duty</b> S1
<b>Version code</b> 160			

### Motor - Technical

---

<b>Power factor - 1/1 Load</b> 0.86	<b>Motor efficiency - 1/1 Load</b> 79.7 %	<b>Total moment of inertia</b> 0.00444 kg m <sup>2</sup>	<b>Starts per hour max.</b> 15
<b>Power factor - 3/4 Load</b> 0.80	<b>Motor efficiency - 3/4 Load</b> 82.6 %	<b>Starting current, direct starting</b> 27 A	
<b>Power factor - 1/2 Load</b> 0.68	<b>Motor efficiency - 1/2 Load</b> 83.6 %	<b>Starting current, star-delta</b> 8.99 A	

# NX 3069 SH 3~ Adaptive 270

## Performance curve

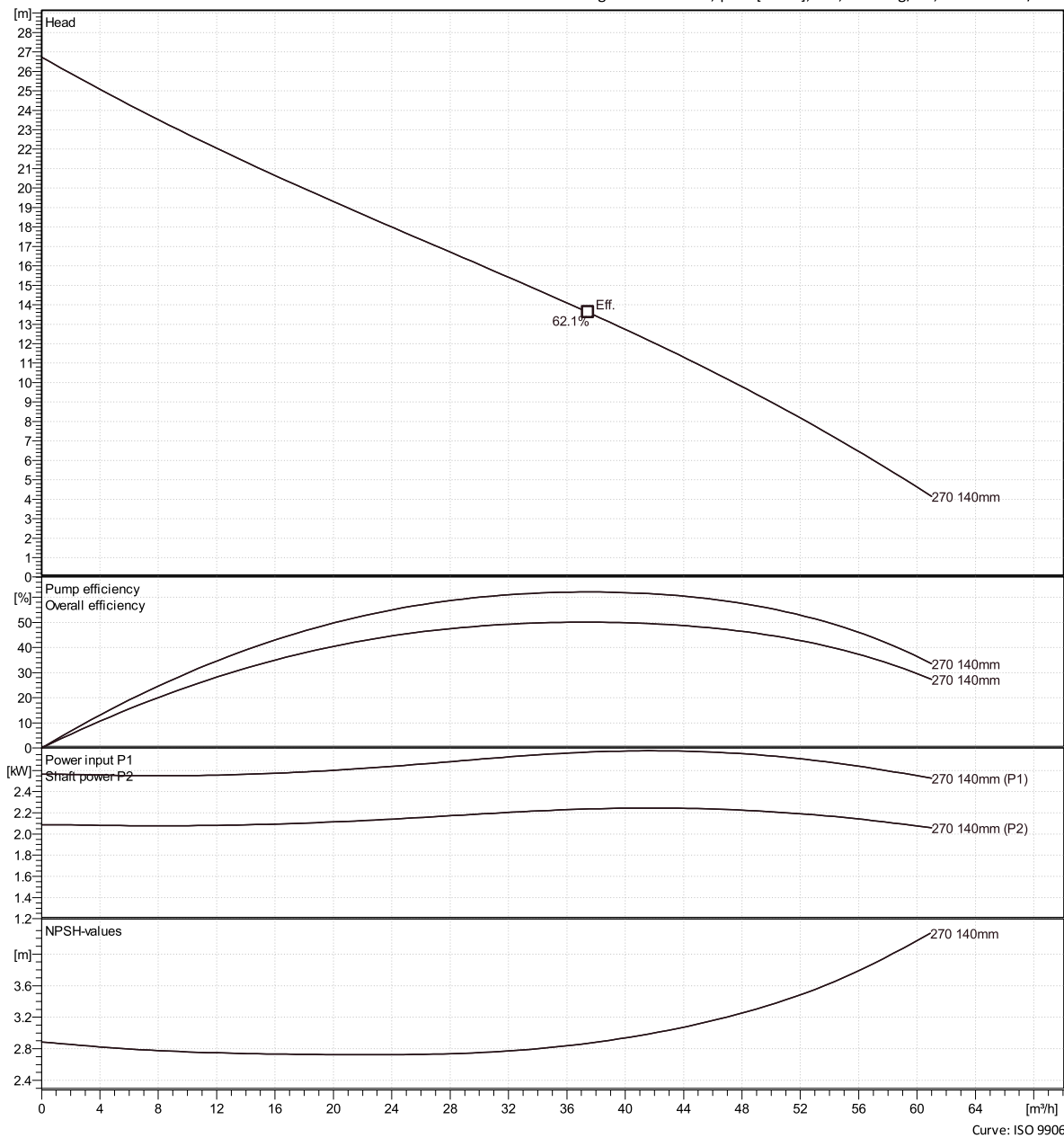


### Duty point

Flow

Head

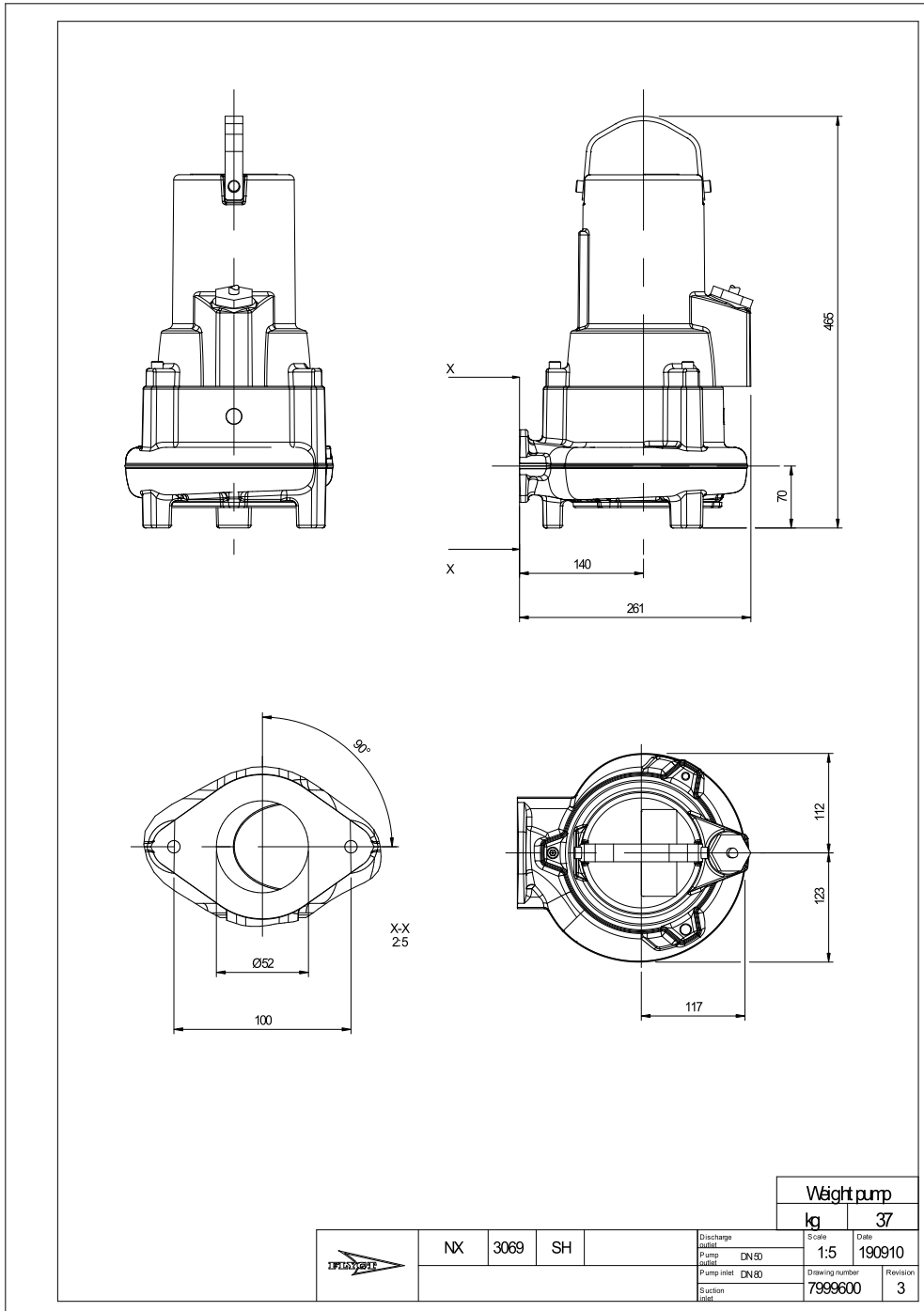
Curves according to: Water, pure [100%], 4 °C, 999.9 kg/m<sup>3</sup>, 1.5692 mm<sup>2</sup>/s



Curve: ISO 9906

# NX 3069 SH 3~ Adaptive 270

Dimensional drawing



Block