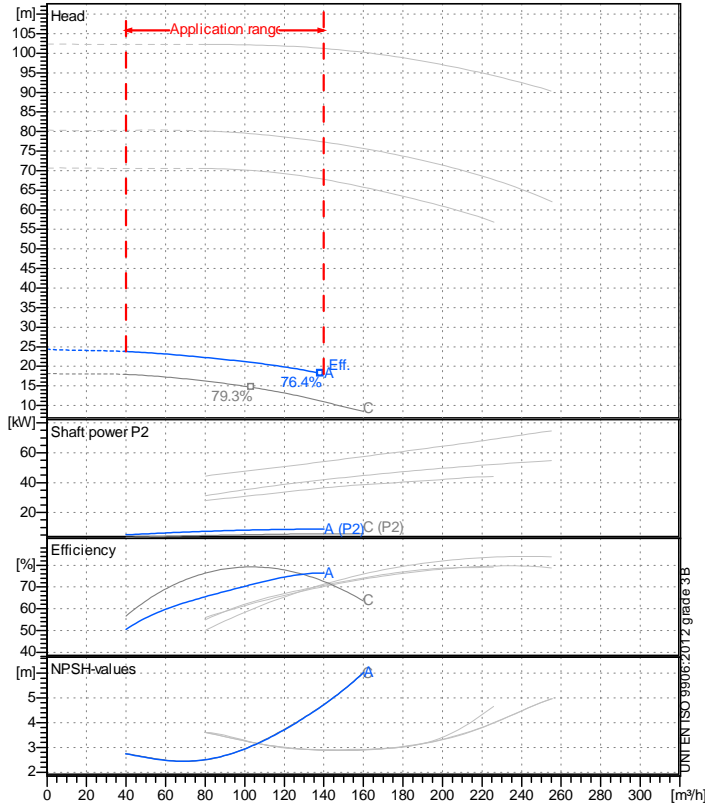


Receiver

From

 Company name
 Respons. Department
 Person in charge
 Phone number
 Fax no
 E-mail address

SAER ELETTROPOMPE SPA



Operating data specification

Nominal flow	m³/h 0
Nominal head	m 0
Static head	m 0
NPSH - v value of plant	m 0
Inlet pressure	bar 0.09793
Fluid	Water, pure
Operating temperature t A	°C 20
Density at t A	kg/dm³ 0.9983
Kin. viscosity at t A	mm²/s 1.005

Pump

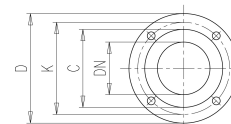
Pump name	NCBZ 4P-80-250 A		
Size	100/80/250		
Design			
Speed 1/min	1450	No of stages	1
Impeller type			
Flow	Nominal	m³/h	
	Max-	m³/h	140
	Min-	m³/h	40
Head	Nominal	m	
	Max-	m	23.8
	Min-	m	18
Head H(Q=0)	m	24.4	
NPSH 3%	m		
Max. working pressure	bar	2.39	
Shaft power	kW		
Efficiency	%		
Max absorbed power	kW	8.9745	

Materials Pump

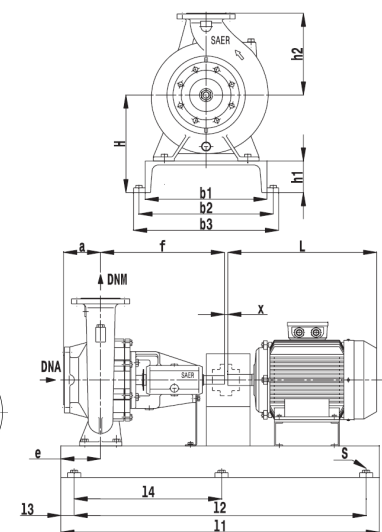
Shaft	Stainless steel AISI 431 (1.4057)		
Impeller	Cast iron EN-GJL-250		
Pump body	Cast iron EN-GJL-250		
Seal disc	Cast iron EN-GJL-250		
Gasket	Natural fiber		
Mech. seal EN 12756			
Seal face	Carbon graphite resin impreg.		
Seat	Alumina Oxide		
Rubber elements	EPDM Rubber		
Spring and metal bellows	Stainless steel AISI 316		
Motor	Frame size	132	
Manufacturer / Type	SAER	132-12,5	
Rated power	kW	9.2	Efficiency 4/4 89.3 %
Electric current	A	19.1 A	Speed 1/min 1450
Electric voltage	V	400 V	3~ Hz 50
Starting mode	Unknown		
Degree of protection	IP 55	Insulation class	F

Dimensions in mm

a	125
b1	480
b2	530
b3	580
e	100
f	470
H	300
h1	100
h2	280
L	531
l1	1250
l2	1150
l2	575
l3	50
S	M16
x	4



C	138	C	158
D	200	D	220
DN	80	DN	100
K	160	K	180
n°	4	n°	8
on	19	on	19



Remarks:

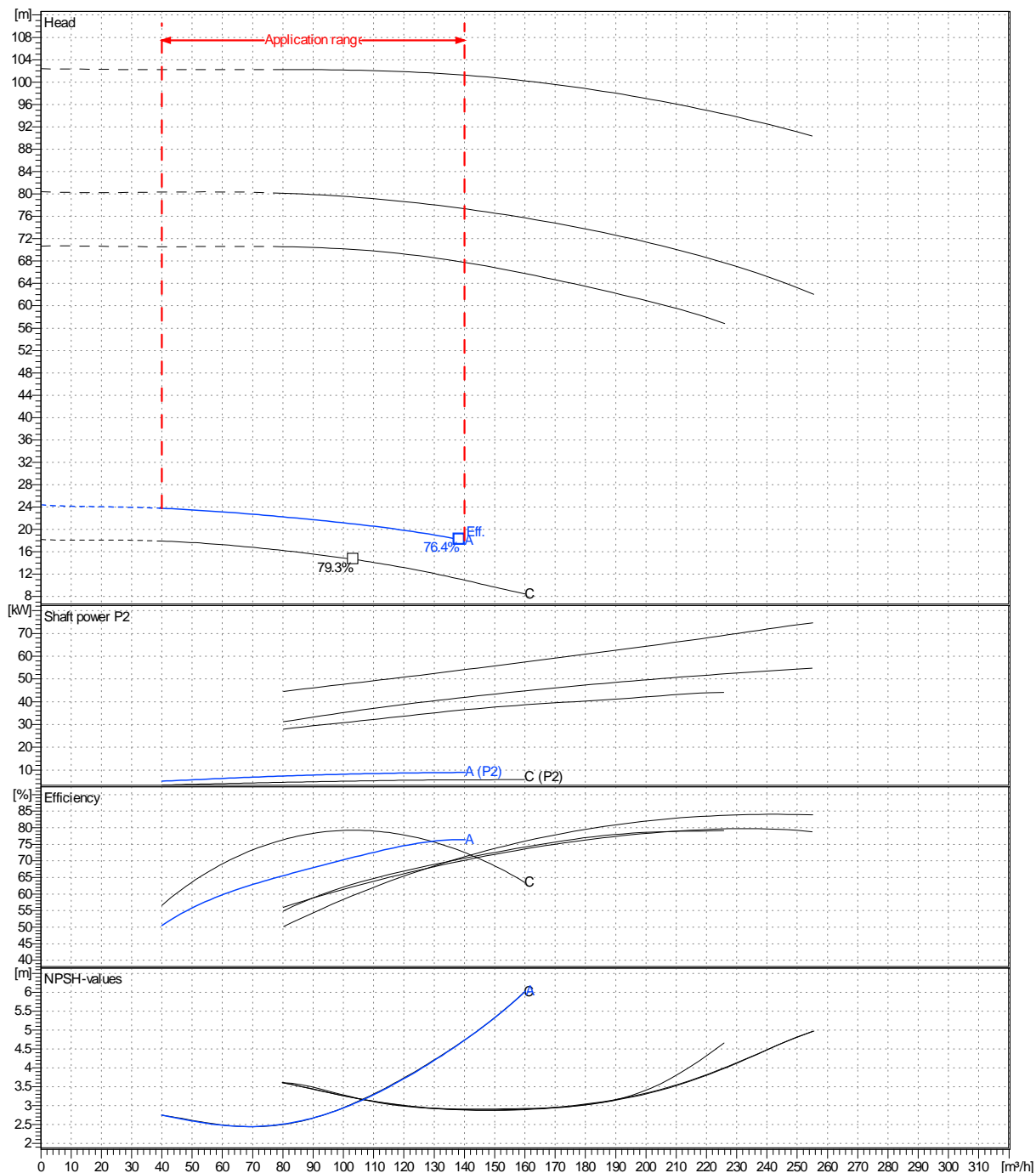
Project	Project ID	Created by	Created on	Last update
			2021-04-12	

Receiver	From
Company name	SAER ELETTROPOMPE SPA
Respons. Department	
Person in charge	
Phone number	
Fax no	
E-mail address	

Operating area	Flow	Head	Impeller type
Operating data specification	0 m ³ /h	0 m	Impeller construction
Pump data	m ³ /h	m	Sense of rotation
			Clockwise from the drive end
			Outlet width
			DN 80
	Flow	Head	Shaft power P2
	Min. Max. η Max.	H(Q=0) η Max.	P2(Q=0) Max. η Max.
	m ³ /h m ³ /h m ³ /h	m m	kW kW kW
	40 140 138	24.4 18.2	8.97 8.96
			Speed
			1/min 1450
			Frequency
			Hz 50 Hz

Performance data based to: Water, pure [100%]; 20°C; 0.998kg/dm³; 1mm²/s

UNI EN ISO 9906:2012 - Grade 3B



Project	Project ID	Created by	Created on	Last update
			2021-04-12	



Spare parts

NCBZ 4P-80-250 A

Revision no

Page:

3

Company name
Respons. Department
Person in charge
Phone number
Fax no
E-mail address

SAER ELETTROPOMPE SPA

Project

Project ID

Created by

Created on
2021-04-12

Last update