

**Receiver**

**From**

Society  
Reference  
Address  
Phone  
Fax  
E-mail

**Item n° :**

505828001

**Model :**

D 110/250.40 M

**Pump data**

Pressure rating : PN 10  
Min. fluid temperature : -10 °C  
Max. fluid temperature : 110 °C

**Minimum suction head :**

Temperature °C 90  
Minimum suction head : m 2,5

**Requested data**

Flow :  
Head :  
Fluid (%) :  
Fluid Temperature : 20 °C  
Density : 998,3 kg/m³  
Kinematic viscosity : 1,005 mm²/s  
Vapor pressure : 2,34 kPa

**Hydraulic data (duty point)**

Flow :  
Head :  
Rated speed : 2.746 1/min

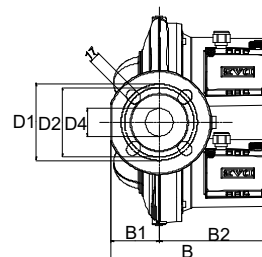
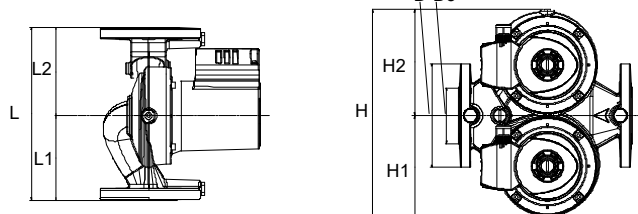
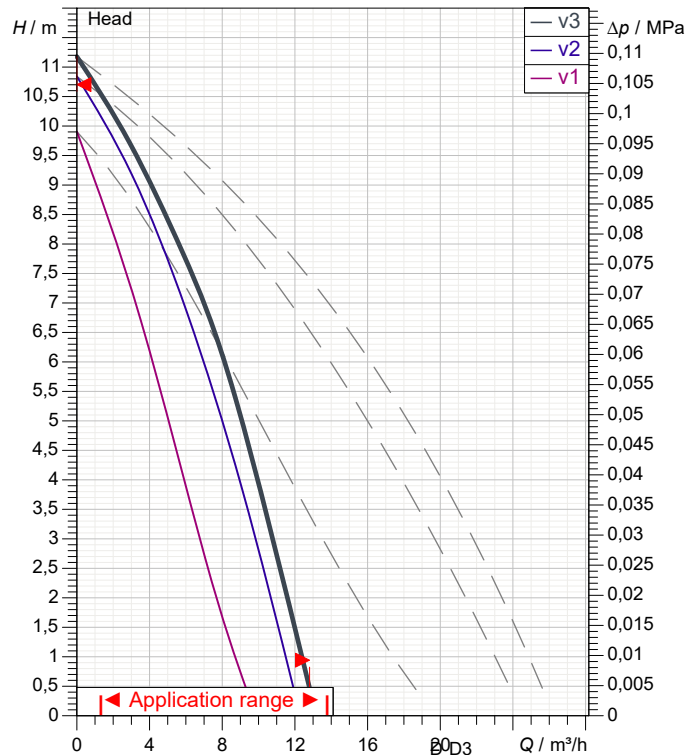
**Materials**

Pump body Cast iron  
Impeller Technopolymer  
Motor shaft Stainless steel  
Air vent plug Brass  
Seal ring Etyilene propylene  
Motor casing Die cast aluminium  
Stator jacket Stainless steel

**Motor data**

Motor brand : DAB  
Nominal power P2 : 0,3075 kW  
Rated speed : 2.746 1/min  
Rated voltage : 1~ 230 V 50 Hz  
Nominal current : 1,77 A  
Degree of protection : IP 44

**Curve tolerance according to ISO 9906**



**Dimensions in mm**

B	231	D1	110	F	DN40/P	L	250
B1	70	D2	100	H	302	L1	122
B2	161	D3	80	H1	149	L2	128
D	150	D4	40	H2	154		

**Weight :** 17,8 kg

**Pump connection**

Suction side : DN 40 / PN 10

Discharge side : DN 40 / PN 10



# PERFORMANCE CURVES

2021-06-0€

Page 2 / 3

DAB PUMPS S.p.A.  
Via Marco Polo, 14 - 35035 Mestrino (PD), Italy  
Tel. +39 049 5125000 - Fax +39 049 5125950  
www.dabpumps.com

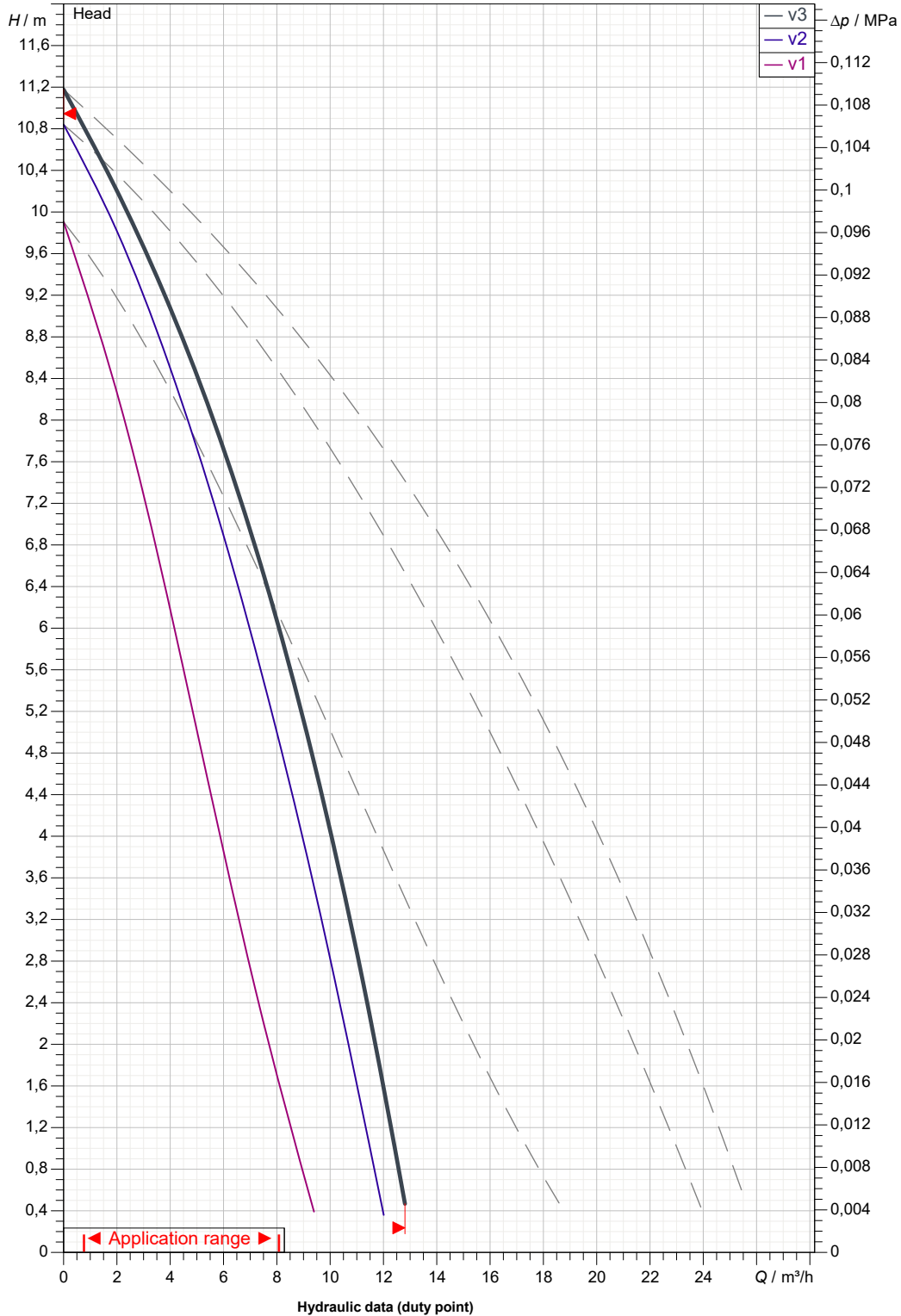
Receiver

From

Society  
Reference  
Address  
Phone  
Fax  
E-mail

**D 110/250.40 M**

Curve tolerance according to ISO 9906



Suction side :  
DN 40  
PN 10

Discharge side :  
DN 40  
PN 10

Flow :

Head :

Rated speed :  
2.746 1/min

MAIN\_PROJECT\_TITLE

BUSINESS\_PROCESS\_ID

OWNER\_

ISSUE\_DATE



# DIMENSIONAL DRAWING

DAB PUMPS S.p.A.  
Via Marco Polo, 14 - 35035 Mestrino (PD), Italy  
Tel. +39 049 5125000 - Fax +39 049 5125950  
www.dabpumps.com

2021-06-0€

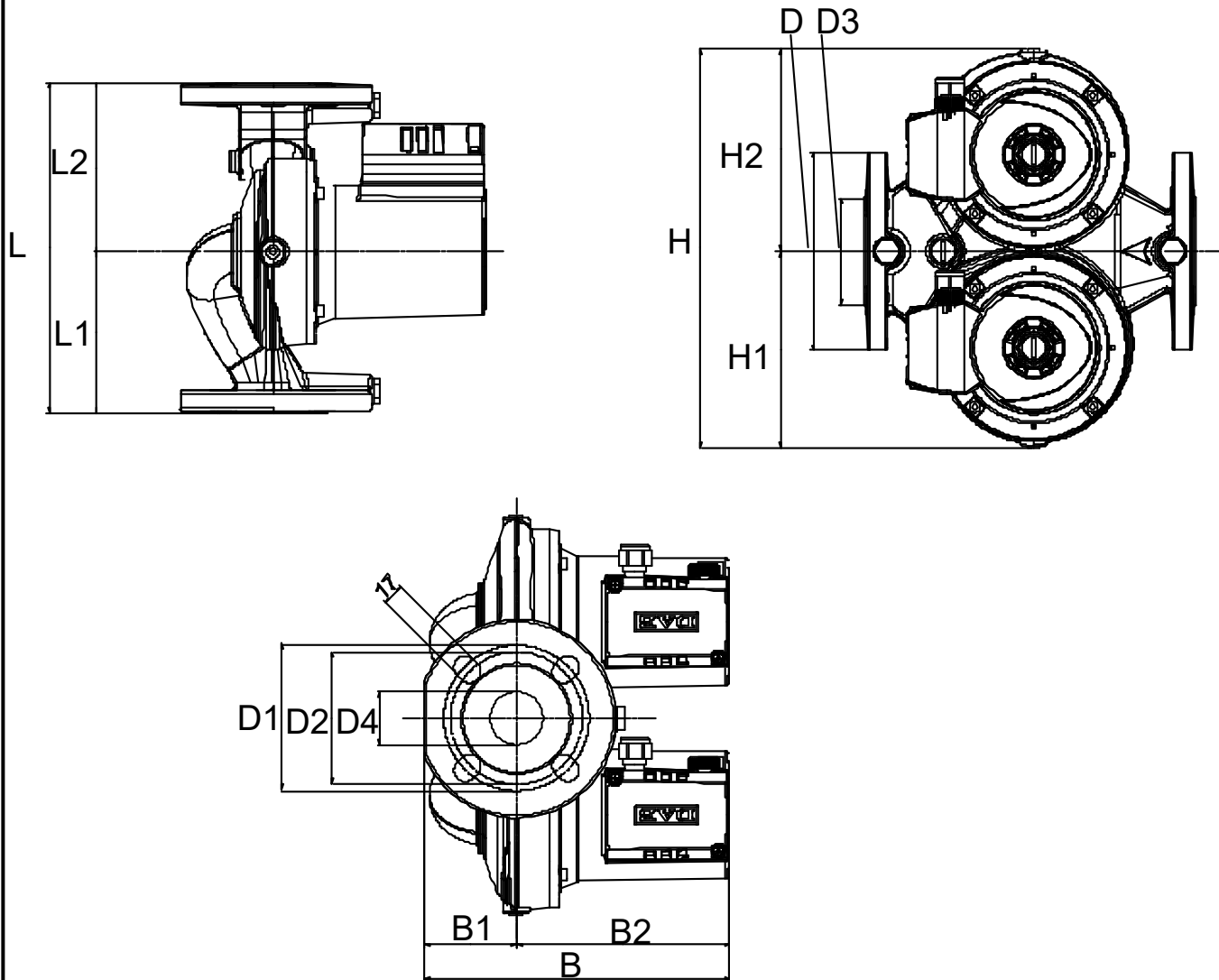
Page 3 / 3

Receiver

From

Society  
Reference  
Address  
Phone  
Fax  
E-mail

## D 110/250.40 M



Dimensions in mm						Pump connection
1	B	231	L	250		Suction DN 40 PN 10
2	B1	70	L1	122		
3	B2	161	L2	128		
4	D	150				Discharge DN 40 PN 10
5	D1	110				
6	D2	100				
7	D3	80				
8	D4	40				
9	F	DN40/PN10				
10	H	302				
11	H1	149				
12	H2	154				

MAIN_PROJECT_TITLE	BUSINESS_PROCESS_ID	OWNER	ISSUE_DATE
--------------------	---------------------	-------	------------