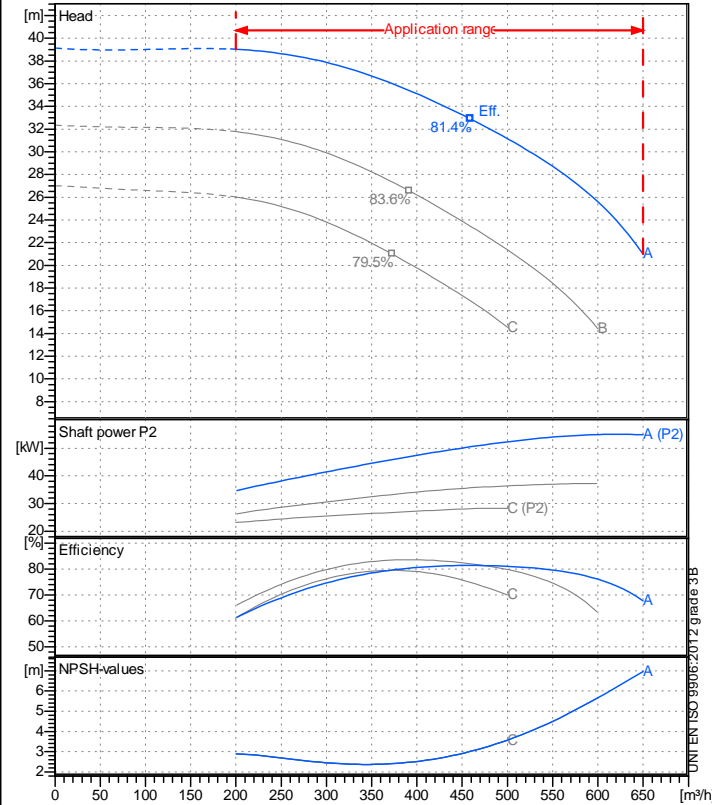


Receiver

From

 Company name
 Respons. Department
 Person in charge
 Phone number
 Fax no
 E-mail address

Operating data specification

Nominal flow	m ³ /h 0
Nominal head	m 0
Static head	m 0
NPSH - v value of plant	m 0
Inlet pressure	bar 0.09793
Fluid	Water, pure
Operating temperature t A	°C 20
Density at t A	kg/dm ³ 0.9983
Kin. viscosity at t A	mm ² /s 1.005

Pump

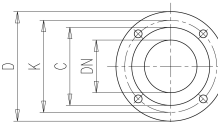
Pump name	NCBZ-M 4P-150-315 A		
Size	200/150/315		
Design			
Speed 1/min	1450	No of stages	1
Impeller type			
Flow	Nominal	m ³ /h	
	Max-	m ³ /h	650
	Min-	m ³ /h	200
Head	Nominal	m	
	Max-	m	39
	Min-	m	21
Head H(Q=0)	m	39.1	
NPSH 3%	m		
Max. working pressure	bar	3.83	
Shaft power	kW		
Efficiency	%		
Max absorbed power	kW	55.033	

Materials Pump

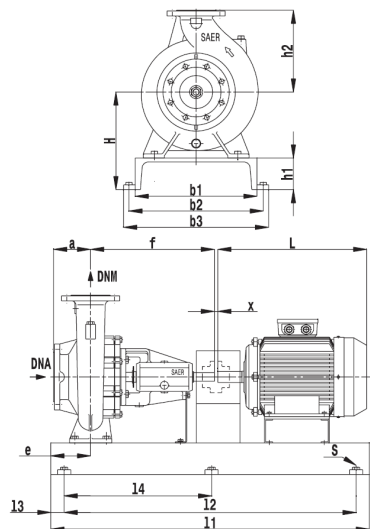
Shaft	Duplex Stainless steel (1.4362)		
Impeller	Bronze G-CuSn10 (CC480K)		
Pump body	Bronze G-CuSn10 (CC480K)		
Seal disc	Bronze G-CuSn10 (CC480K)		
Gasket	Natural fiber		
Mech. seal EN 12756			
Seal face	Carbon graphite resin impreg.		
Seat	Alumina Oxide		
Rubber elements	EPDM Rubber		
Spring and metal bellows	Stainless steel AISI 316		
Motor	Frame size	250	
Manufacturer / Type	SAER 250-75		
Rated power	kW	55	Efficiency 4/4 94.6 %
Electric current	A	104 A	Speed 1/min 1487
Electric voltage	V	400 V	3~ Hz 50
Starting mode	Unknown		
Degree of protection	IP 55	Insulation class	F

Dimensions in mm

a	160
b1	580
b2	650
b3	720
e	155
f	530
H	400
h1	120
h2	400
L	915
l1	1600
l2	1500
l3	50
l4	750
S	M16
x	4



C	212	C	268
D	285	D	340
DN	150	DN	200
K	240	K	295
n°	8	n°	8
on	22	on	22



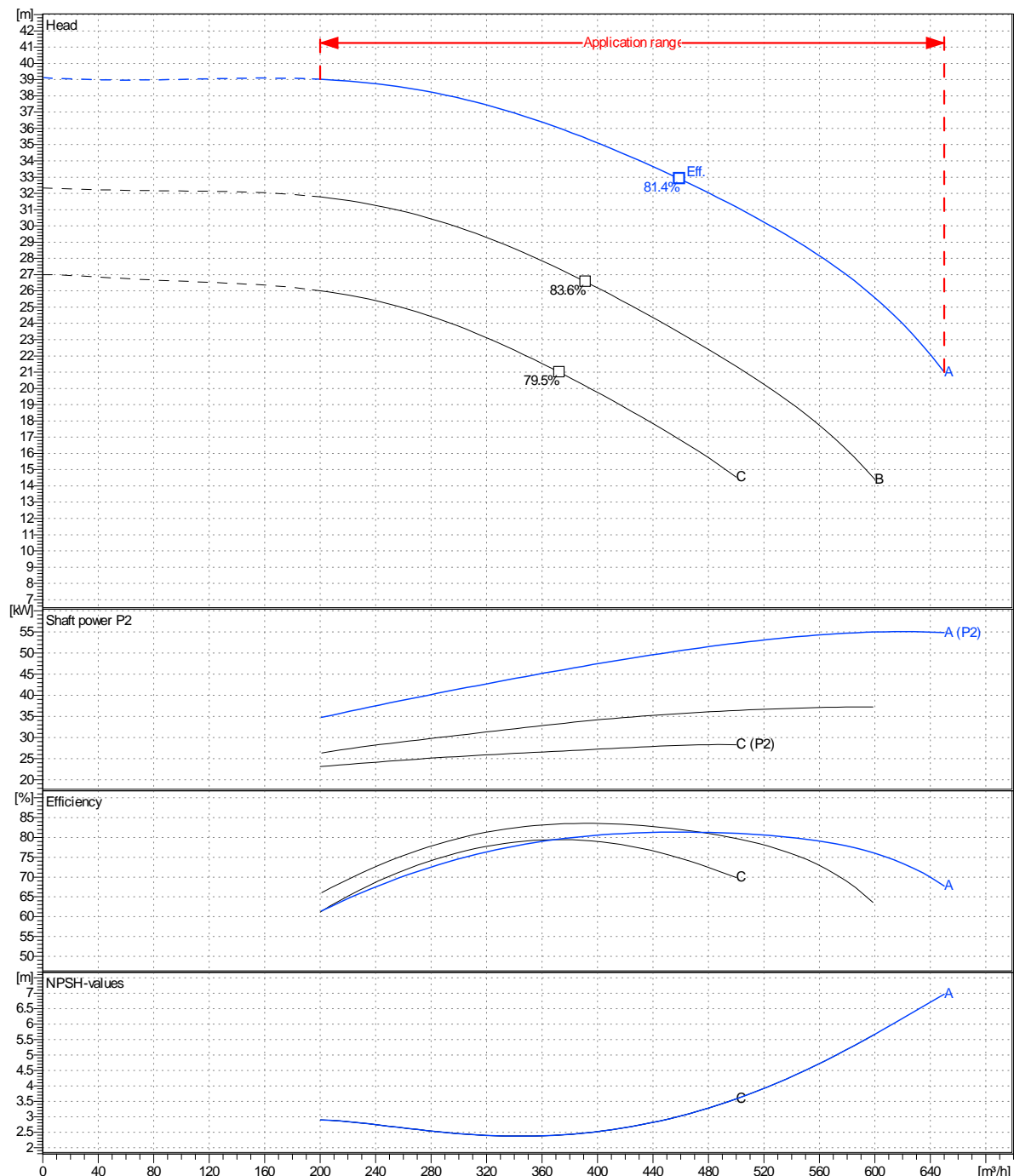
Remarks:

Project	Project ID	Created by	Created on	Last update
			2021-07-14	

Receiver		From	
Company name			
Respons. Department			
Person in charge			
Phone number			
Fax no			
E-mail address			

Operating area	Flow	Head	Impeller type
Operating data specification	0 m ³ /h	0 m	Impeller construction
Pump data	m ³ /h	m	Sense of rotation
			Outlet width
			DN 150
	Flow	Head	Shaft power P2
	Min. Max. η Max.	H(Q=0) η Max.	P2(Q=0) Max. η Max.
	m ³ /h m ³ /h m ³ /h	m m	kW kW kW
	200 650 459	39.1 32.9	55 50.5
			Speed
			1/min 1450
			Frequency
			Hz 50 Hz

Performance data based to: Water, pure [100%] ; 20°C; 0.998kg/dm³; 1mm²/s UNI EN ISO 9906:2012 - Grade 3B



Project	Project ID	Created by	Created on 2021-07-14	Last update
---------	------------	------------	---------------------------------	-------------



Spare parts
NCBZ-M 4P-150-315 A

Revision no

Page:
3

Company name
Respons. Department
Person in charge
Phone number
Fax no
E-mail address

--

Project	Project ID	Created by	Created on 2021-07-14	Last update
---------	------------	------------	---------------------------------	-------------