

Receiver

From

Society
Reference
Address
Phone
Fax
E-mail

Item n° :

60179424

Model :

EURO 30/80 T IE3

Pump data

Pressure rating : 0,8 MPa
Min. fluid temperature : 0 °C
Max. fluid temperature : 35 °C
Max. Ambient temperature : 40 °C

Requested data

Flow :
Head :
Fluid : Water
Fluid Temperature : 20 °C
Density : 998,3 kg/m³
Kinematic viscosity : 1,005 mm²/s
Vapor pressure : 0,00 MPa

Hydraulic data (duty point)

Flow :
Head :

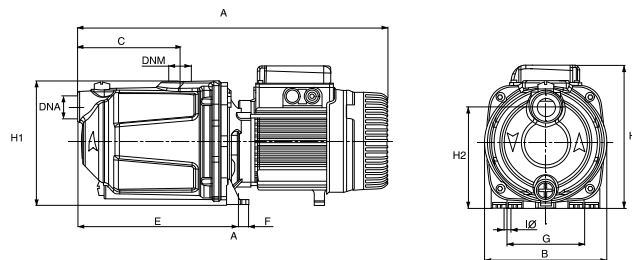
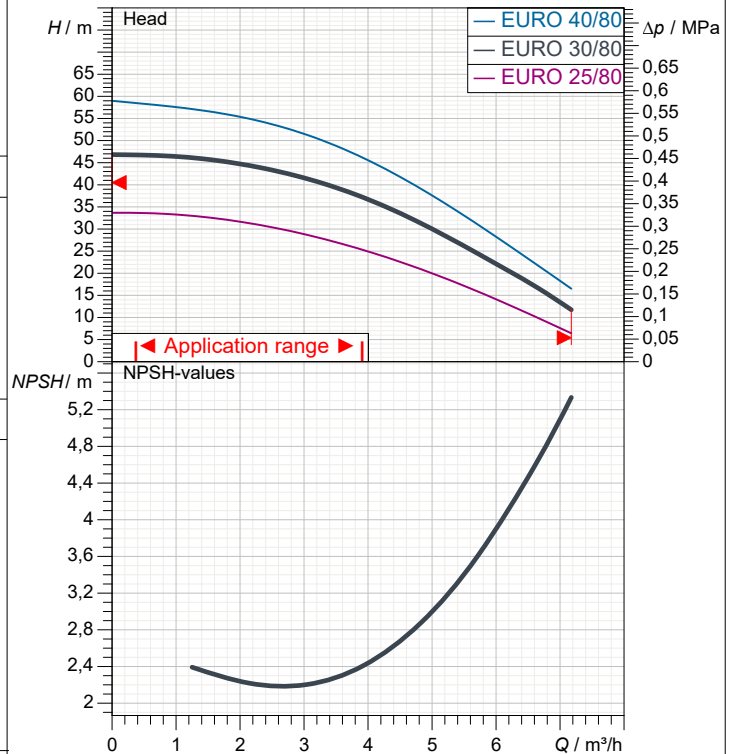
Materials

Pump body : Cast iron 200 UNI ISO 185
Impeller : Technopolymer
Shaft with rotor : AISI 304 X5 Cr Ni 1810 UNI 6900/71
OR ring : NBR
Diffuser : Technopolymer
Mechanical seal : Carbon/Ceramic
Disc seal : AISI 304 X5 Cr Ni 1810 UNI 6900/71

Motor data

Motor brand : DAB
Nominal power P2 : 0,8 kW
Rated speed : 2.800 1/min
Rated voltage : 3~ 400 V 50 Hz
Nominal current : 2,1 A
Degree of protection : IP 44

Curve tolerance according to ISO 9906



Weight :

Dimensions in		mm					
A	468	DNM	1"G	H	204		
B	175	E	235	H1	179		
C	1.495	F	13,5	H2	143,5		
DNA	1"G	G	111	I Ø	9		

Pump connection

Suction side : 1" G / 0,8 MPa
Discharge side : 1" G / 0,8 MPa



PERFORMANCE CURVES

2022-10-12

Page 2 / 3

DAB PUMPS S.p.A.
Via Marco Polo, 14 - 35035 Mestrino (PD), Italy
Tel. +39 049 5125000 - Fax +39 049 5125950
www.dabpumps.com

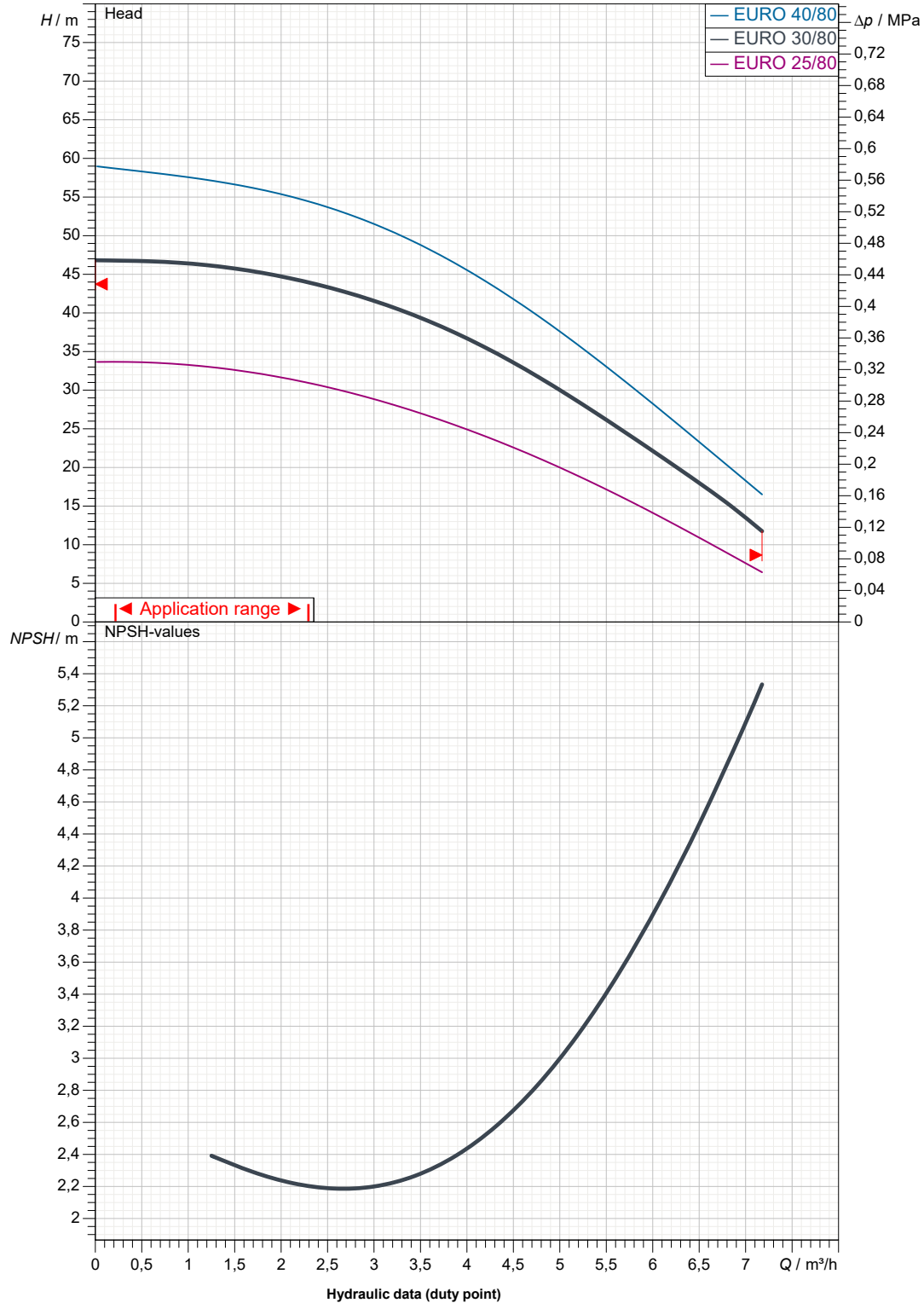
Receiver

From

Society
Reference
Address
Phone
Fax
E-mail

EURO 30/80 T IE3

Curve tolerance according to ISO 9906



Suction side :
1" G
0,8 MPa

Discharge side :
1" G
0,8 MPa

Flow :

Head :

Rated speed :
2.800 1/min

MAIN_PROJECT_TITLE

BUSINESS_PROCESS_ID

OWNER_

ISSUE_DATE
2022-10-12



DIMENSIONAL DRAWING

2022-10-12

Page 3 / 3

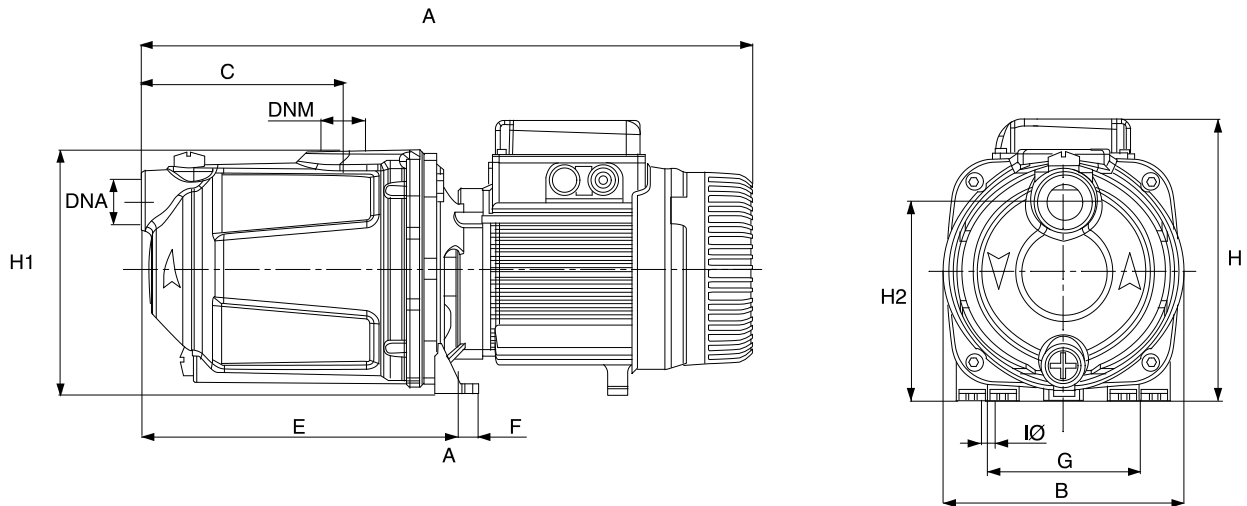
DAB PUMPS S.p.A.
Via Marco Polo, 14 - 35035 Mestrino (PD), Italy
Tel. +39 049 5125000 - Fax +39 049 5125950
www.dabpumps.com

Receiver

From

Society
Reference
Address
Phone
Fax
E-mail

EURO 30/80 T IE3



Dimensions in mm

Pump connection

1	A	468					
2	B	175					Suction
3	C	1.495					1" G
4	DNA	1" G					0,8 MPa
5	DNM	1" G					
6	E	235					Discharge
7	F	13,5					1" G
8	G	111					0,8 MPa
9	H	204					
10	H1	179					
11	H2	143,5					
12	IØ	9					

MAIN_PROJECT_TITLE

BUSINESS_PROCESS_II

OWNER_

ISSUE_DATE

2022-10-12