

Receiver

From

Society
Reference
Address
Phone
Fax
E-mail

Item n° :

60161175

Model :

EVOSTA 40-70/130 1/2"

Pump data

Pressure rating : 1 MPa
Min. fluid temperature : 2 °C
Max. fluid temperature : 95 °C
EEI : ≤ 0,23

Minimum suction head :

Temperature °C 90
Minimum suction head : m 10

Requested data

Flow :
Head :
Fluid (%) :
Fluid Temperature : 20 °C
Density : 998,3 kg/m³
Kinematic viscosity : 1,005 mm²/s
Vapor pressure : 2,34 kPa

Hydraulic data (duty point)

Flow :
Head :

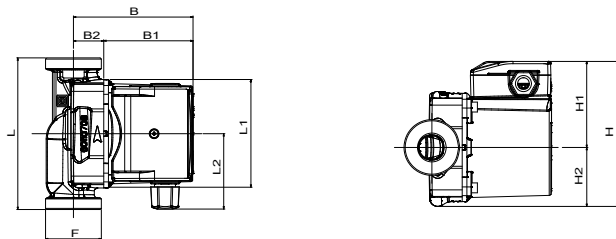
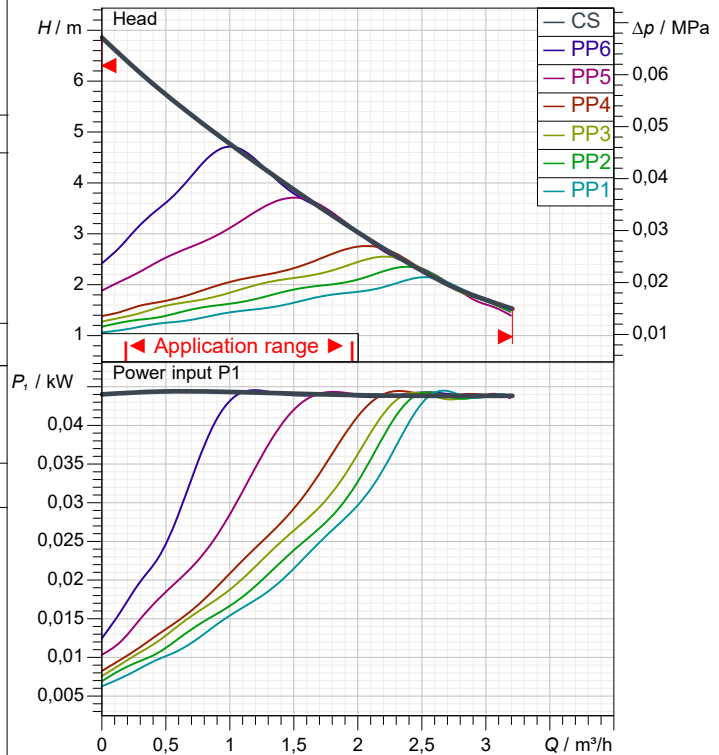
Materials

Pump body Cast iron
Impeller Technopolymer
Motor shaft Ceramic
Motor casing Die cast aluminium
Air vent plug Brass
Rotor Magnet
Terminal box Technopolymer

Motor data

Motor brand : DAB
Power input P1 : 0,044 kW
Rated voltage : 1~ 230 V 50 Hz
Nominal current : 0,39 A
Degree of protection : IP 44

Curve tolerance according to ISO 9906



Dimensions in mm

B	102,5	H2	50,5				
B1	76,5	L	130				
B2	26	L1	93				
F	1"	L2	59				
H	124						
H1	73,5						

Weight : 2,6 kg

Pump connection

Suction side : 1 "
Discharge side : 1 "

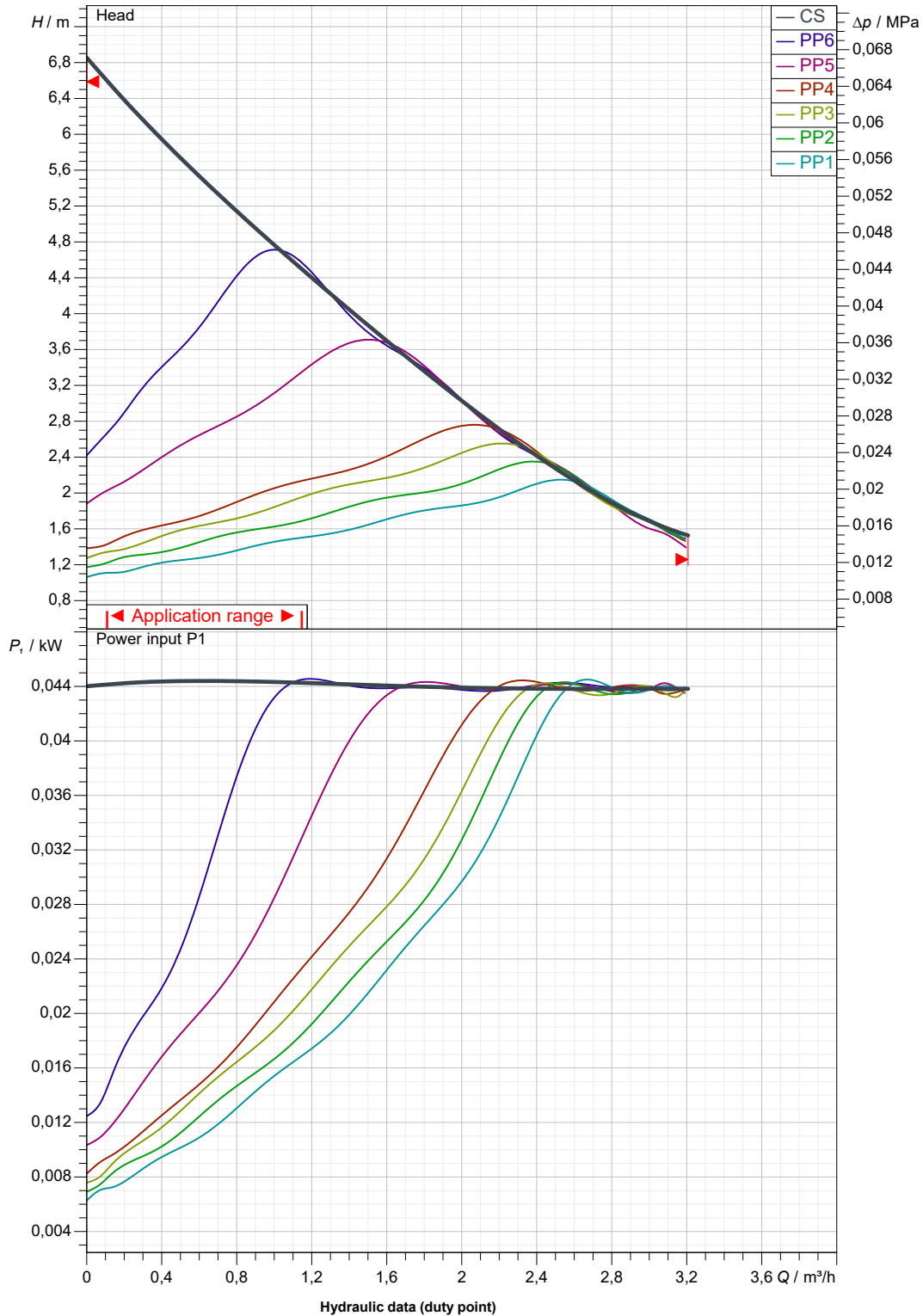
Receiver

From

Society
Reference
Address
Phone
Fax
E-mail

EVOSTA 40-70/130 1/2"

Curve tolerance according to ISO 9906



Suction side : 1" 10 bar (1000 KPa)	Discharge side : 1" 10 bar (1000 KPa)	Flow :	Head :	Rated speed : 2.900 1/min
MAIN_PROJECT_TITLE	BUSINESS_PROCESS_ID	OWNER_	ISSUE_DATE	



DIMENSIONAL DRAWING

2021-11-0€

Page 3 / 3

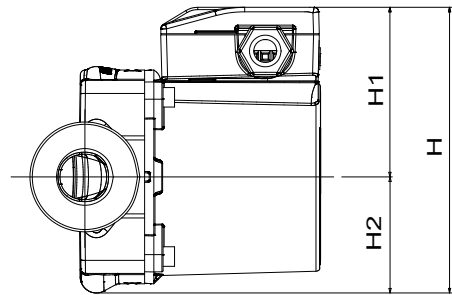
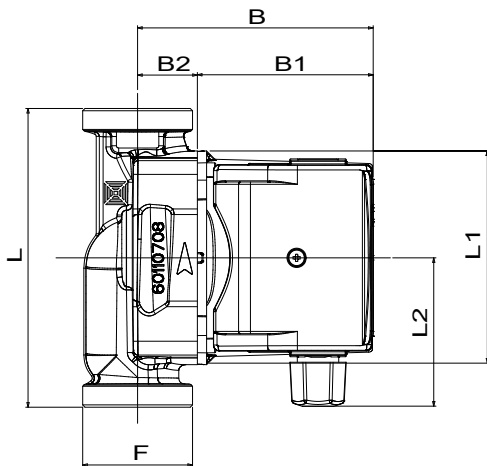
DAB PUMPS S.p.A.
Via Marco Polo, 14 - 35035 Mestrino (PD), Italy
Tel. +39 049 5125000 - Fax +39 049 5125950
www.dabpumps.com

Receiver

From

Society
Reference
Address
Phone
Fax
E-mail

EVOSTA 40-70/130 1/2"



Dimensions in mm

Pump connection

1	B	102,5					
2	B1	76,5					Suction
3	B2	26					1"
4	F	1"					10 bar (1000 KPa)
5	H	124					Discharge
6	H1	73,5					1"
7	H2	50,5					10 bar (1000 KPa)
8	L	130					
9	L1	93					
10	L2	59					
11							
12							

MAIN_PROJECT_TITLE

BUSINESS_PROCESS_ID

OWNER

ISSUE_DATE