

**Receiver**

**From**

Society  
Reference  
Address  
Phone  
Fax  
E-mail

**Item n° :**

60143367

**Model :**

EVOTRON 60/150 SAN

**Pump data**

Pressure rating : 1 MPa  
Min. fluid temperature : -10 °C  
Max. fluid temperature : 110 °C  
EEI : ≤

**Minimum suction head :**

Temperature °C 90  
Minimum suction head : m 10

**Requested data**

Flow :  
Head :  
Fluid (%) :  
Fluid Temperature : 20 °C  
Density : 998,3 kg/m³  
Kinematic viscosity : 1,005 mm²/s  
Vapor pressure : 2,34 kPa

**Hydraulic data (duty point)**

Flow :  
Head :

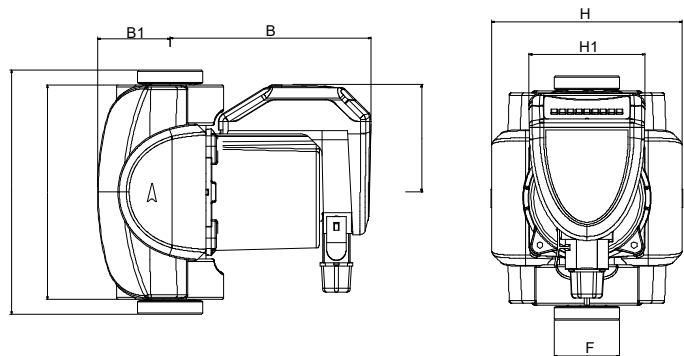
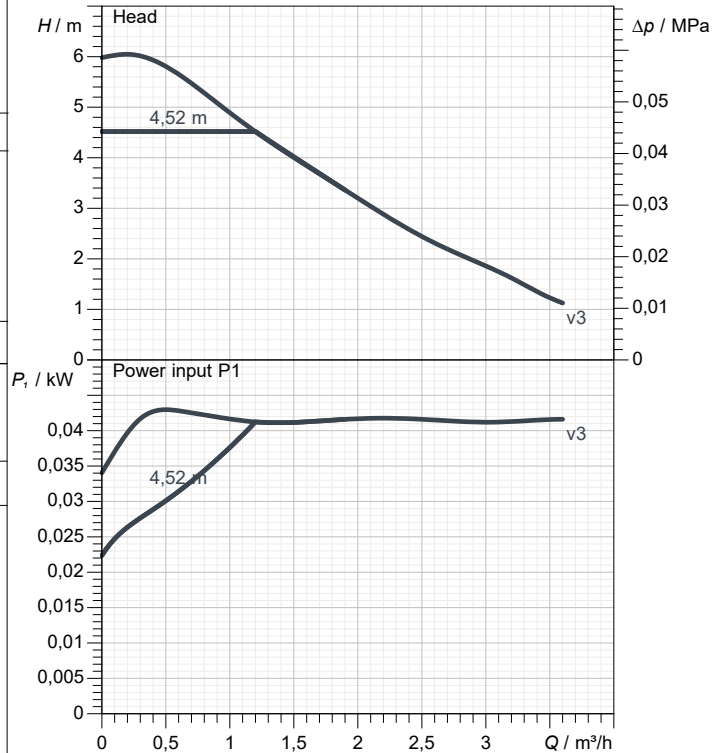
**Materials**

Pump body Bronze  
Impeller Ultrason  
Motor shaft Ceramic  
Closing flange Stainless steel  
Seal ring EPDM  
Stator jacket Stainless steel  
Terminal box Polycarbonate

**Motor data**

Motor brand : DAB  
Power input P1 : 0,04173 kW  
Rated voltage : 1~ 230 V 50 Hz  
Nominal current : 0,4 A  
Degree of protection : IP 44

**Curve tolerance according to ISO 9906**



**Dimensions in mm**

B	147,5	L1	158				
B1	53	L2	79,5				
F	1"1/2						
H	140						
H1	85						
L	150						

**Weight :** 3 kg

**Pump connection**

Suction side : 1" 1/2 G  
Discharge side : 1" 1/2 G



# PERFORMANCE CURVES

2021-11-0€

Page 2 / 3

DAB PUMPS S.p.A.  
Via Marco Polo, 14 - 35035 Mestrino (PD), Italy  
Tel. +39 049 5125000 - Fax +39 049 5125950  
www.dabpumps.com

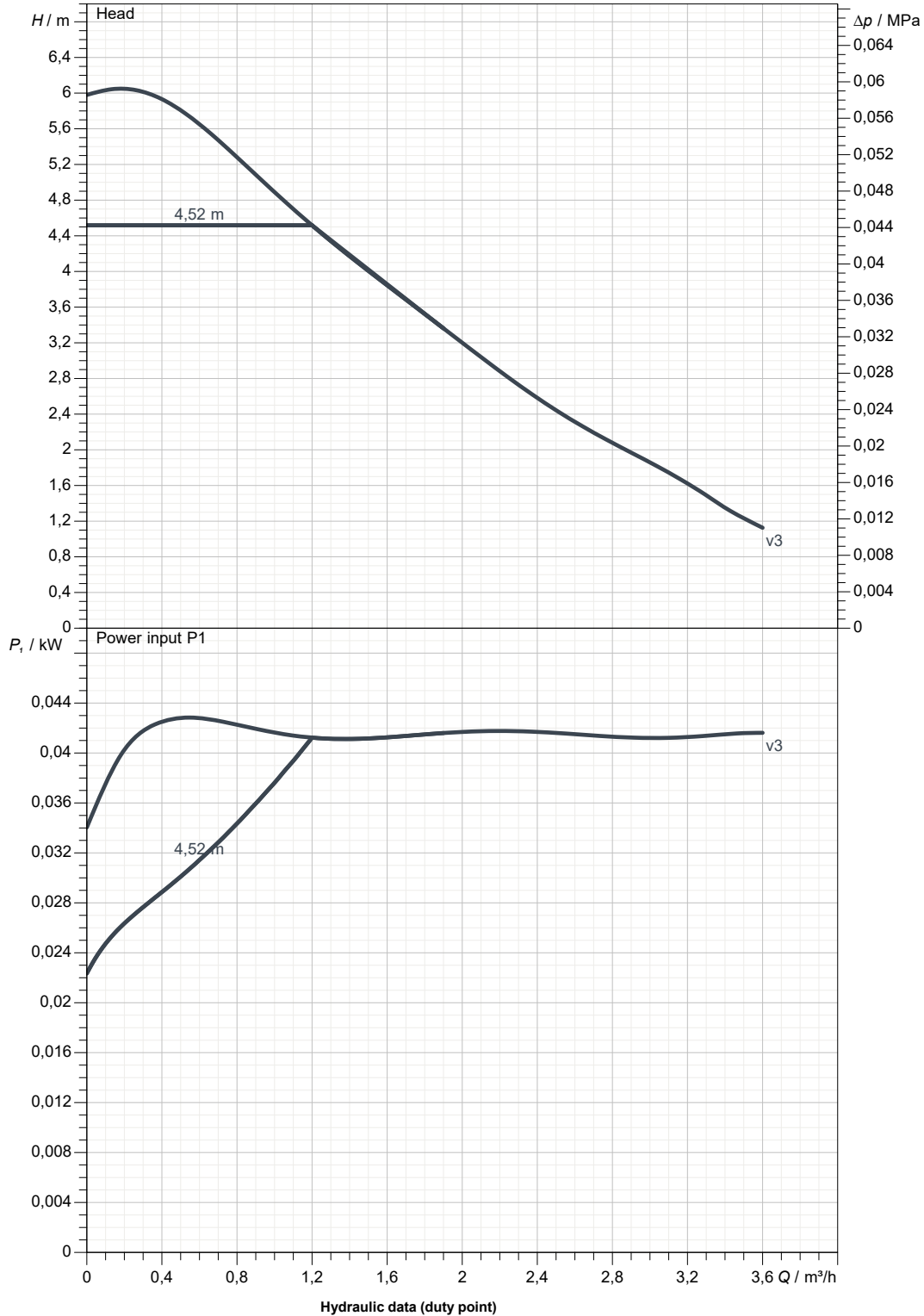
Receiver

From

Society  
Reference  
Address  
Phone  
Fax  
E-mail

## EVOTRON 60/150 SAN

Curve tolerance according to ISO 9906



Suction side :  
1" 1/2 G  
10 bar (1000 KPa)

Discharge side :  
1" 1/2 G  
10 bar (1000 KPa)

Flow :

Head :

Rated speed :  
2.900 1/min

MAIN\_PROJECT\_TITLE

BUSINESS\_PROCESS\_ID

OWNER\_

ISSUE\_DATE



# DIMENSIONAL DRAWING

DAB PUMPS S.p.A.  
Via Marco Polo, 14 - 35035 Mestrino (PD), Italy  
Tel. +39 049 5125000 - Fax +39 049 5125950  
www.dabpumps.com

2021-11-0€

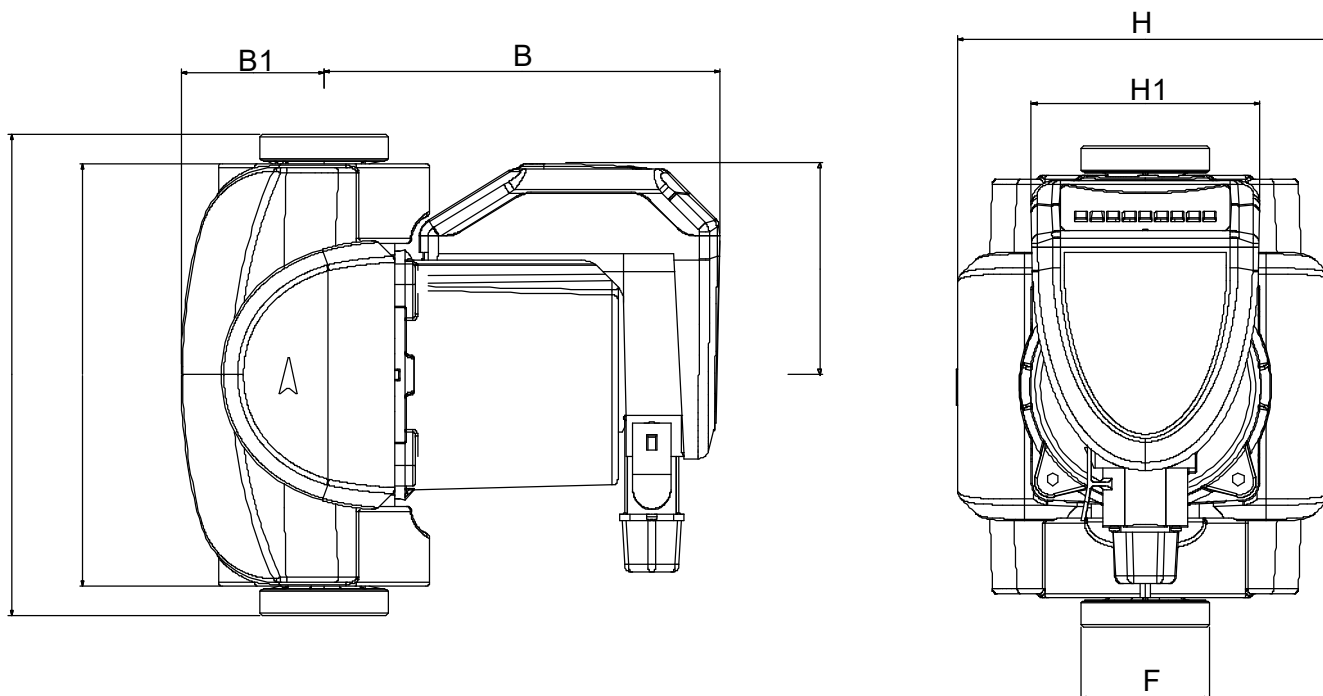
Page 3 / 3

Receiver

From

Society  
Reference  
Address  
Phone  
Fax  
E-mail

## EVOTRON 60/150 SAN



### Dimensions in mm

### Pump connection

1	B	147,5							
2	B1	53							Suction
3	F	1"1/2							1" 1/2 G
4	H	140							10 bar (1000 KPa)
5	H1	85							
6	L	150							
7	L1	158							Discharge
8	L2	79,5							1" 1/2 G
9									10 bar (1000 KPa)
10									
11									
12									

MAIN\_PROJECT\_TITLE

BUSINESS\_PROCESS\_ID

OWNER\_

ISSUE\_DATE