

Receiver

From

Society
Reference
Address
Phone
Fax
E-mail

Item n° :

60143376

Model :

EVOTRON 60/180 SOL

Pump data

Pressure rating : 1 MPa
Min. fluid temperature : -10 °C
Max. fluid temperature : 110 °C
EEI : ≤ 0,20

Minimum suction head :

Temperature °C 90
Minimum suction head : m 10

Requested data

Flow :
Head :
Fluid (%) :
Fluid Temperature : 20 °C
Density : 998,3 kg/m³
Kinematic viscosity : 1,005 mm²/s
Vapor pressure : 2,34 kPa

Hydraulic data (duty point)

Flow :
Head :

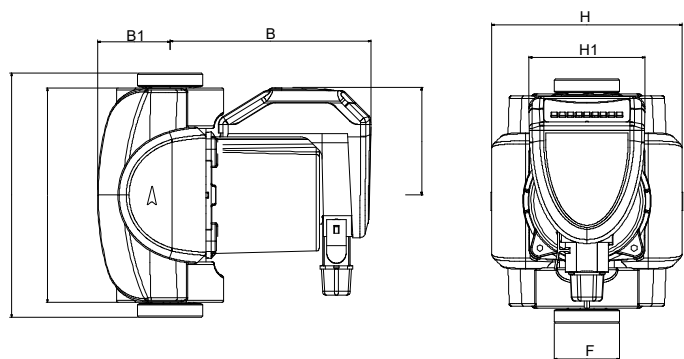
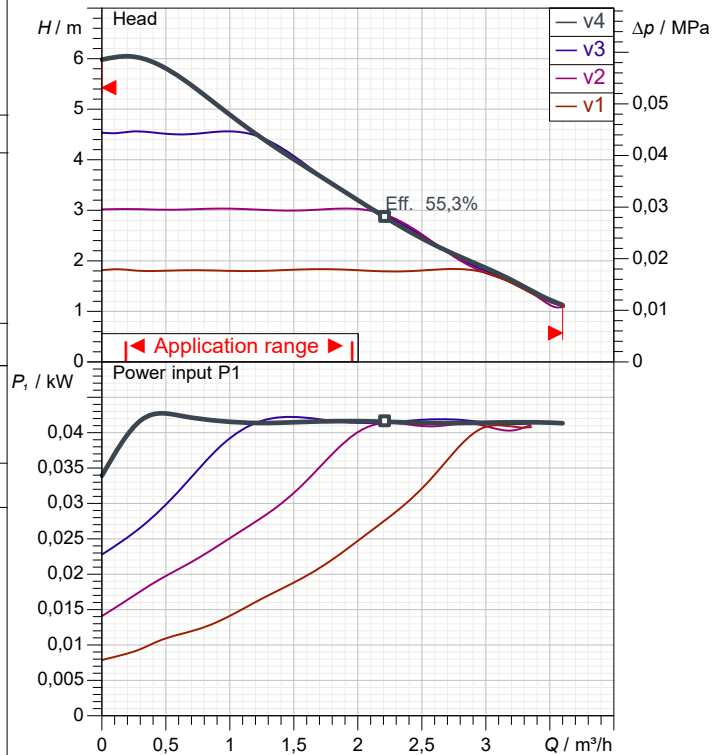
Materials

Pump body Cast iron
Impeller Ultrason
Motor shaft Ceramic
Closing flange Stainless steel
Seal ring EPDM
Stator jacket Stainless steel
Terminal box Polycarbonate

Motor data

Motor brand : DAB
Power input P1 : 0,004 kW – 0,043 kW
Rated voltage : 1~ 230 V 50 Hz
Nominal current : 0,05 A – 0,37 A
Degree of protection : IP X4

Curve tolerance according to ISO 9906



Dimensions in mm

B	147,5	L1	158				
B1	53	L2	79,5				
F	1"1/2						
H	140						
H1	85						
L	180						

Weight : 2,9 kg

Pump connection

Suction side : 1 " 1/2 G
Discharge side : 1 " 1/2 G

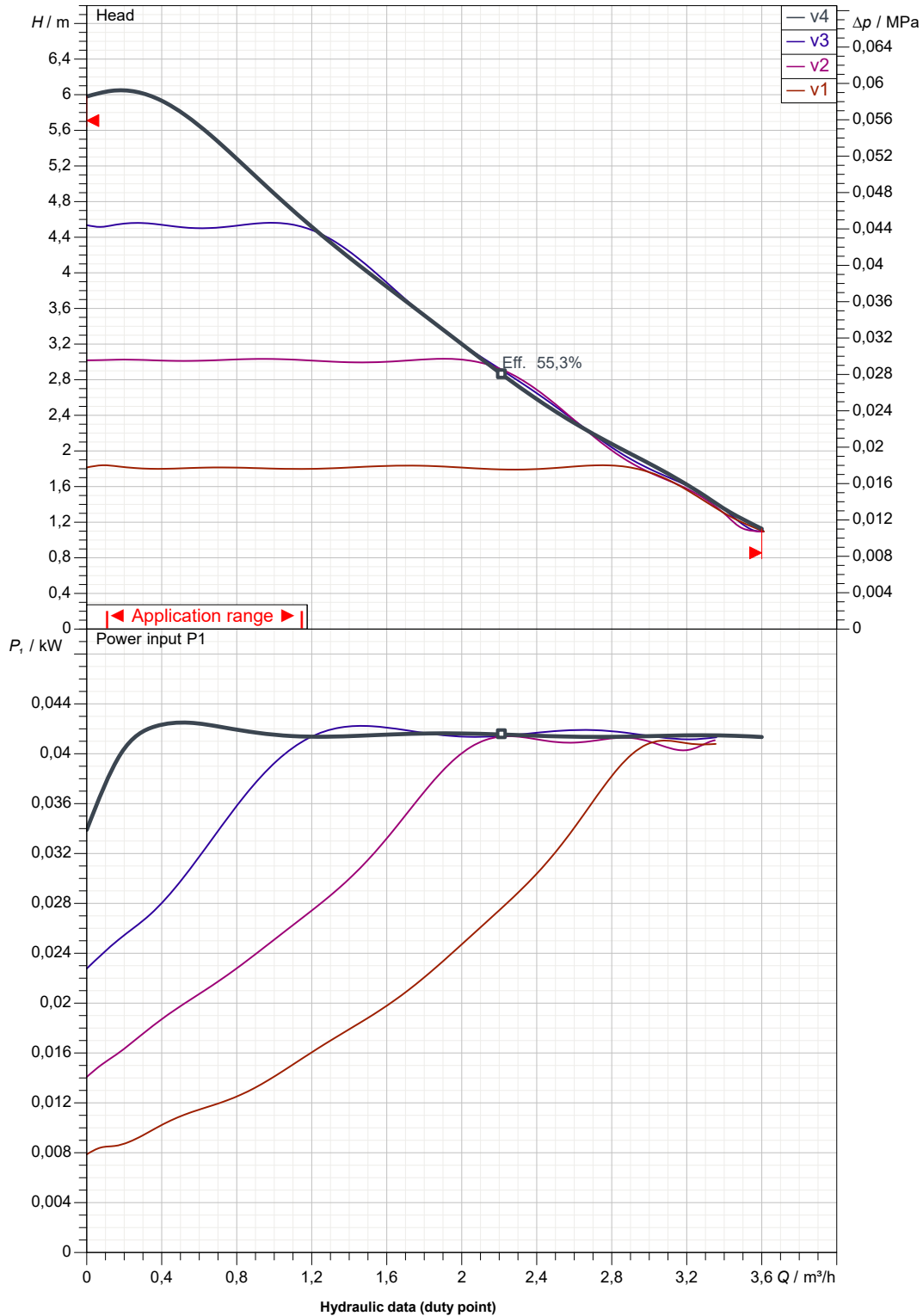
Receiver

From

Society
Reference
Address
Phone
Fax
E-mail

EVOTRON 60/180 SOL

Curve tolerance according to ISO 9906



Suction side :
1" 1/2 G
10 bar (1000 KPa)

Discharge side :
1" 1/2 G
10 bar (1000 KPa)

Flow :

Head :

Rated speed :
2.900 1/min

MAIN_PROJECT_TITLE

BUSINESS_PROCESS_ID

OWNER_

ISSUE_DATE



DIMENSIONAL DRAWING

2021-11-0€

Page 3 / 3

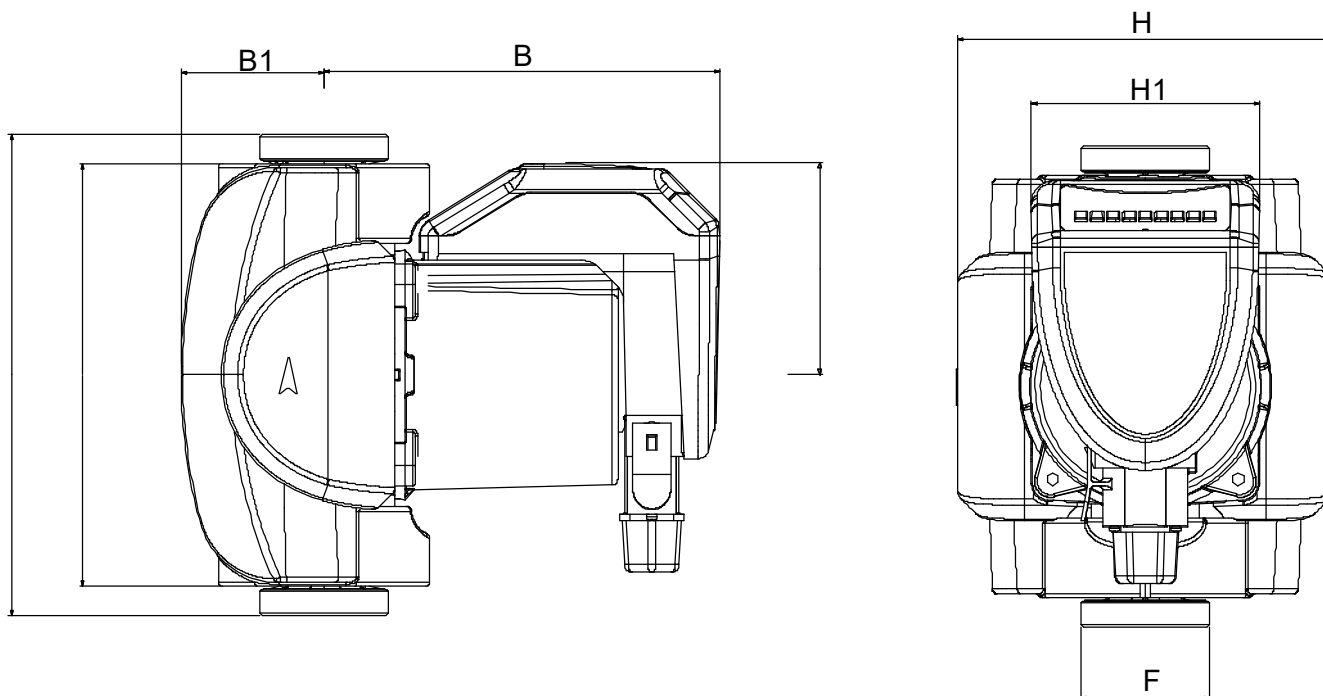
DAB PUMPS S.p.A.
Via Marco Polo, 14 - 35035 Mestrino (PD), Italy
Tel. +39 049 5125000 - Fax +39 049 5125950
www.dabpumps.com

Receiver

From

Society
Reference
Address
Phone
Fax
E-mail

EVOTRON 60/180 SOL



Dimensions in mm

Pump connection

1	B	147,5					
2	B1	53					Suction
3	F	1"1/2					1" 1/2 G
4	H	140					10 bar (1000 KPa)
5	H1	85					
6	L	180					
7	L1	158					Discharge
8	L2	79,5					1" 1/2 G
9							10 bar (1000 KPa)
10							
11							
12							

MAIN_PROJECT_TITLE

BUSINESS_PROCESS_ID

OWNER_

ISSUE_DATE