

Receiver

From

Society
Reference
Address
Phone
Fax
E-mail

Item n° :

60190343

Model :

FEKA 600 M-A 40th - 5m

Pump data

Free passage : 25 mm
Aspiration level minimum : 38 mm
Max. immersion depth : 7 m
Min. fluid temperature : 0 °C
Max. fluid temperature : 35 °C

Requested data

Flow :
Head :
Fluid : Water
Fluid Temperature : 20 °C
Density : 998,3 kg/m³
Kinematic viscosity : 1,005 mm²/s
Vapor pressure : 0,00234 MPa

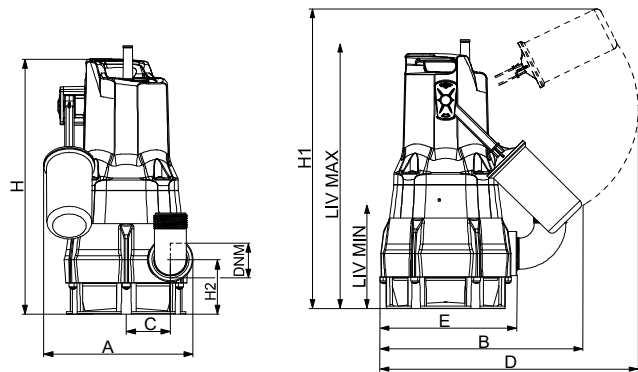
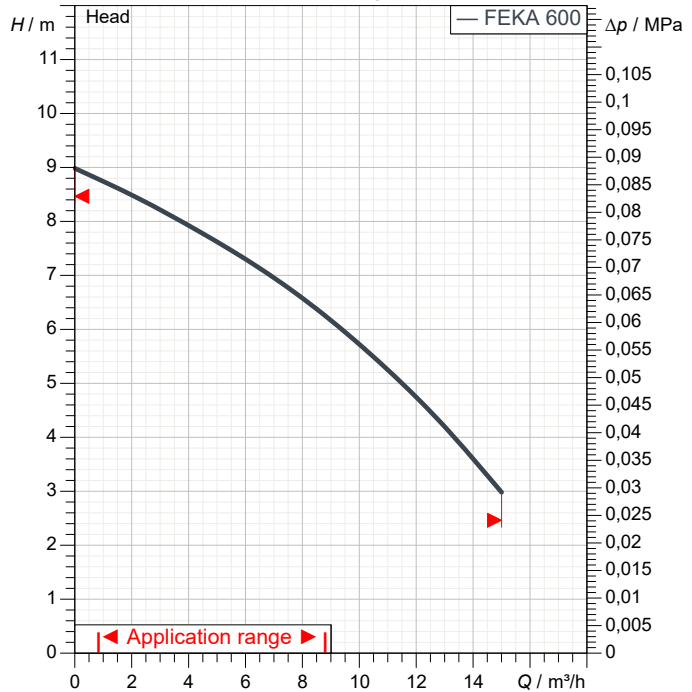
Hydraulic data (duty point)

Flow :
Head :

Materials

Pump body : Technopolymer
Impeller : Technopolymer
OR ring : NBR Rubber
Rotor shaft : Stainless Steel AISI 431
Suction strainer : Technopolymer
Motor top body : AISI 304 X5 Cr Ni 1810 UNI 6900/71
Float : Technopolymer

Curve tolerance according to ISO 9906



Motor data

Weight : 4,6 kg

Motor brand : DAB
Nominal power P2 : 0,5 kW
Rated voltage : 1~ 230 V 50 Hz
Nominal current : 3,1 A
Degree of protection : IP 68
Cable length m : 5

Dimensions in mm

A	189	H2	71		
B	255	LIV MAX	390		
C	56	LIV MIN	190		
D	296				
DNM	1"1/4 G				
E	174				
H	349				
H1	443				

Pump connection

Suction side : /
Discharge side : 1" 1/4 G / --



PERFORMANCE CURVES

2022-02-23

Page 2 / 3

DAB PUMPS S.p.A.
Via Marco Polo, 14 - 35035 Mestrino (PD), Italy
Tel. +39 049 5125000 - Fax +39 049 5125950
www.dabpumps.com

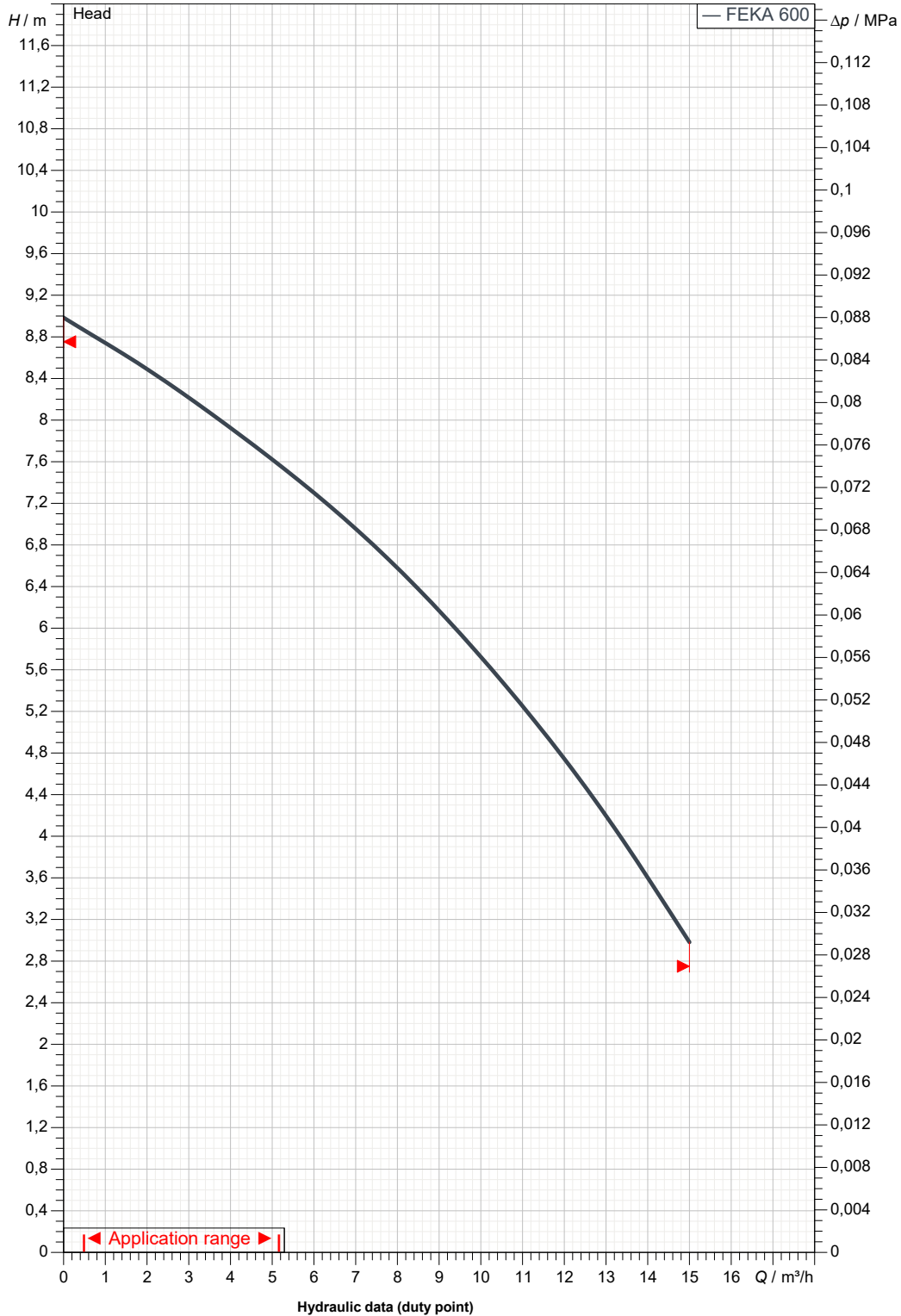
Receiver

From

Society
Reference
Address
Phone
Fax
E-mail

FEKA 600 M-A 40th - 5m

Curve tolerance according to ISO 9906



Suction side :

Discharge side :
1" 1/4 G
--

Flow :

Head :

Rated speed :
2.900 1/min

MAIN_PROJECT_TITLE

BUSINESS_PROCESS_ID

OWNER_

ISSUE_DATE

2022-02-23



DIMENSIONAL DRAWING

DAB PUMPS S.p.A.
Via Marco Polo, 14 - 35035 Mestrino (PD), Italy
Tel. +39 049 5125000 - Fax +39 049 5125950
www.dabpumps.com

2022-02-23

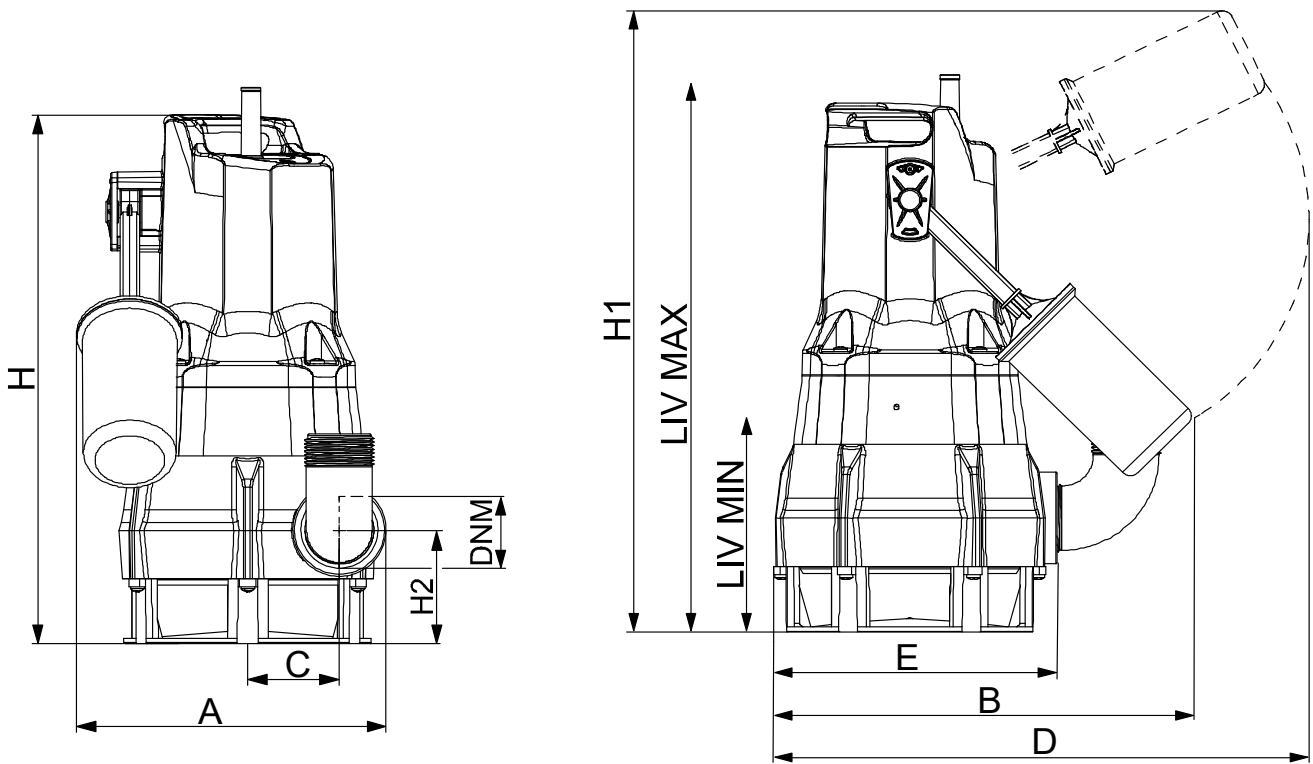
Page 3 / 3

Receiver

From

Society
Reference
Address
Phone
Fax
E-mail

FEKA 600 M-A 40th - 5m



Dimensions in mm

Pump connection

1	A	189								
2	B	255								Suction
3	C	56								
4	D	296								
5	DNM	1"1/4 G								
6	E	174								
7	H	349								Discharge
8	H1	443								1" 1/4 G
9	H2	71								
10	LIV MAX	390								--
11	LIV MIN	190								
12										

MAIN_PROJECT_TITLE

BUSINESS_PROCESS_ID

OWNER

ISSUE_DATE

2022-02-23