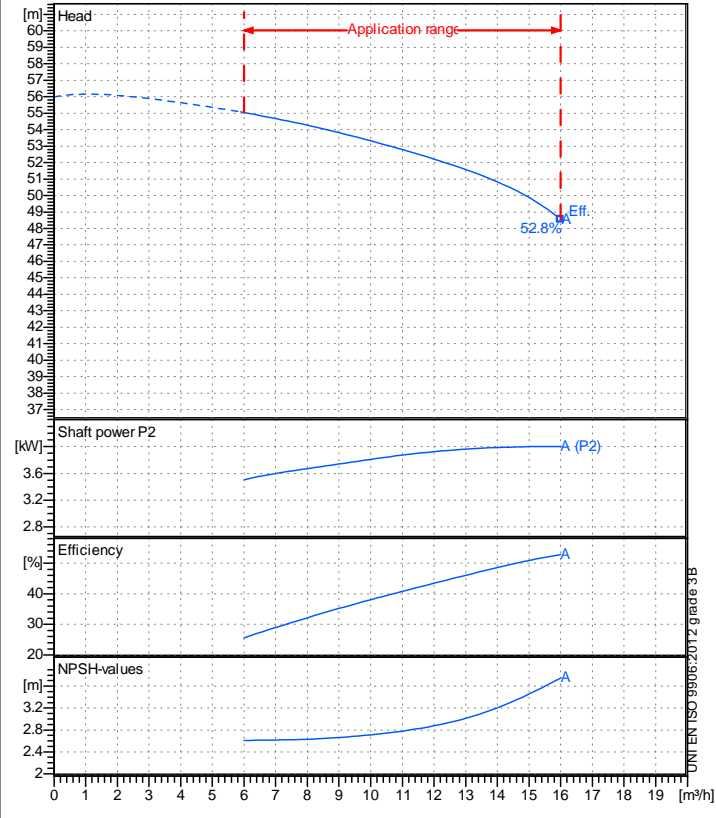


Company name  
 Respons. Department  
 Person in charge  
 Phone number  
 Fax no  
 E-mail address

Receiver	From



### Operating data specification

Nominal flow	m³/h 0
Nominal head	m 0
Static head	m 0
NPSH - v alue of plant	m 0
Inlet pressure	bar 0.09793
Fluid	Water, pure
Operating temperature t A	°C 20
Density at t A	kg/dm³ 0.9983
Kin. viscosity at t A	mm²/s 1.005

Pump		
Pump name	IR32-200 N	
Size	50/32/200	
MEI (Reg. 547/2002 EU) >	0,1	
Speed 1/min	2900	
No of stages	1	
Impeller type		
Flow	Nominal	m³/h
	Max-	m³/h 16
	Min-	m³/h 6
Head	Nominal	m
	Max-	m 55
	Min-	m 48.5
Head H(Q=0)	m 56	
NPSH 3%	m	
Max. working pressure	bar 5.48	
Shaft power	kW	
Efficiency	%	
Max absorbed power	kW 4.0038	

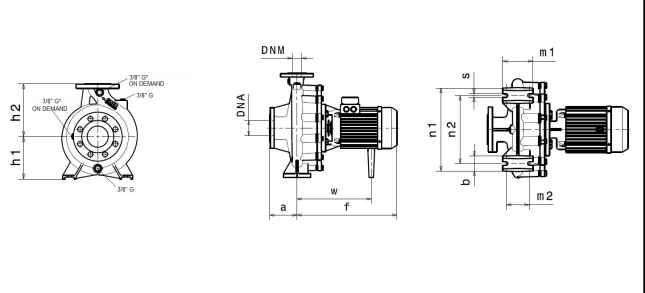
### Materials Pump

Shaft	Stainless steel AISI 431 (1.4057)
Impeller	Cast iron EN-GJL-250
Pump body	Cast iron EN-GJL-250
Seal disc	Cast iron EN-GJL-250
Gasket	Natural fiber
Mechanical seal	BVEG (Grafito/Ossido Allumina/EPDM)

### Dimensions in mm

a	80	DNM	DNA		
b	50	C	78	C	102
f	427	D	140	D	165
h1	160	DN	32	DN	50
h2	180	K	100	K	125
m1	100	n°	4 x 19 mm	n°	4 x 19 mm
m2	70				
n1	240				
n2	190				
s	14				
w	304				

Motor	Manufacturer / Type	SAER	112-2P-5,5
Efficiency	IEC 60034-30	IE3	
Rated power	kW 4	Efficiency 4/4	88.1 %
Number of poles	2	Frame size	112
Electric current	A 7.9 A	Speed	1/min 2925
Electric voltage	V 380 V	3~	Hz 50
Starting mode	Unknown		
Degree of protection	IP 55	Insulation class	F

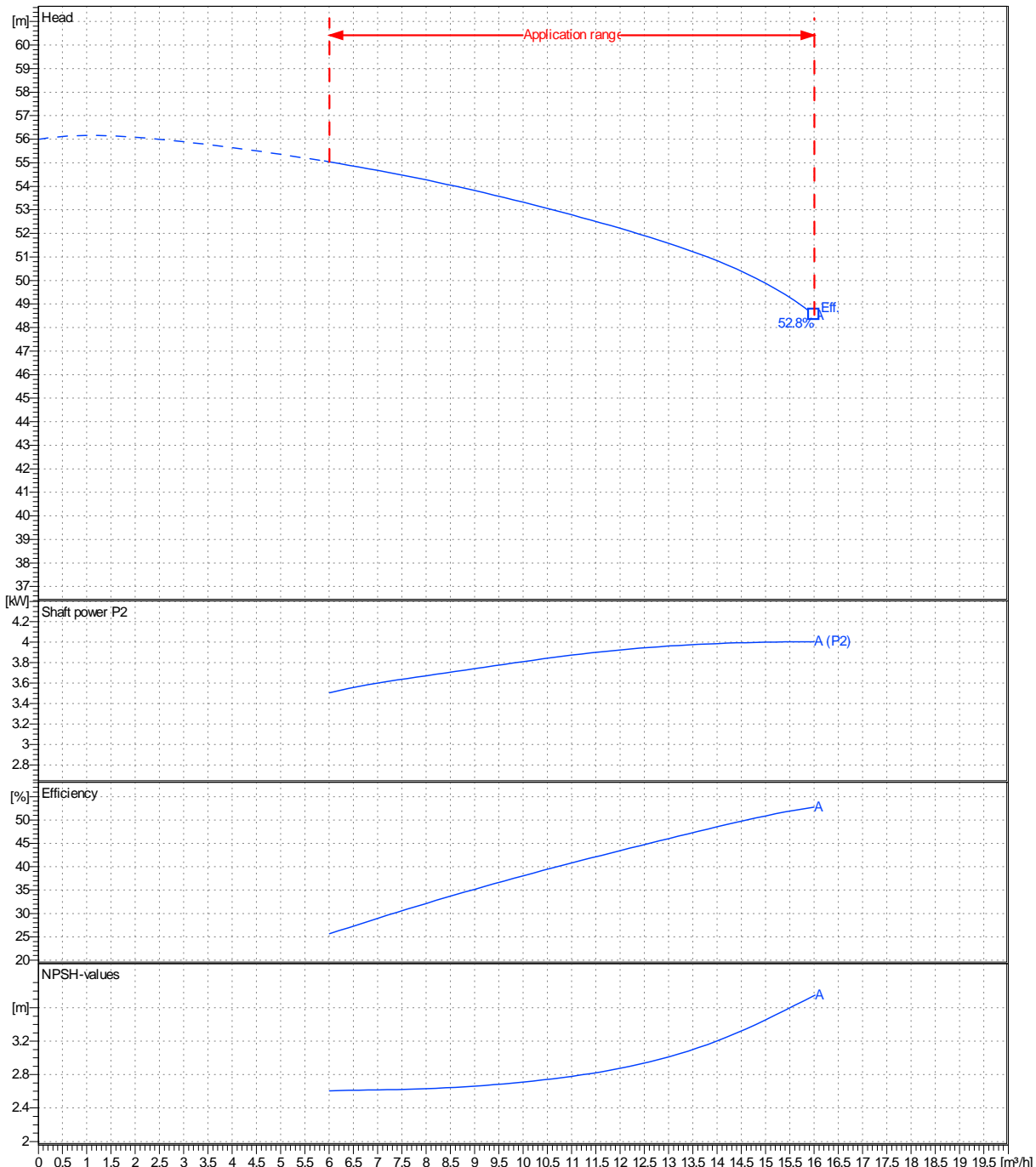


Remarks:				
Project	Project ID	Created by	Created on	Last update
			<b>2022-02-22</b>	

<b>Receiver</b>	<b>From</b>
Company name	
Respons. Department	
Person in charge	
Phone number	
Fax no	
E-mail address	

Operating area	Flow	Head	Impeller type
Operating data specification	0 m <sup>3</sup> /h	0 m	Impeller construction: Closed
Pump data	m <sup>3</sup> /h	m	Sense of rotation: Clockwise from the drive end
			Outlet width: DN32
	Flow	Head	Shaft power P2
	Min. Max. $\eta$ Max.	H(Q=0) $\eta$ Max.	P2(Q=0) Max. $\eta$ Max.
	m <sup>3</sup> /h m <sup>3</sup> /h m <sup>3</sup> /h	m m	kW kW kW
	6 16 16	56 48.5	4 4
			Speed: 1/min 2900
			Frequency: Hz 50 Hz

Performance data based to: Water, pure [100%]; 20°C; 0.998kg/dm<sup>3</sup>; 1mm<sup>2</sup>/s UNI EN ISO 9906:2012 - Grade 3B



Project	Project ID	Created by	Created on	Last update
			2022-02-22	

Revision no

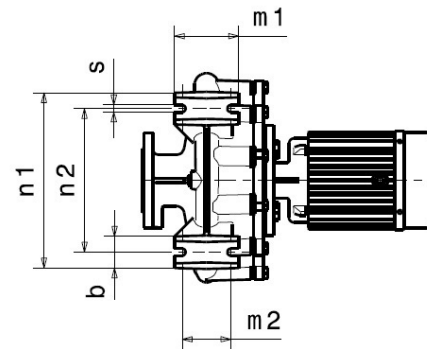
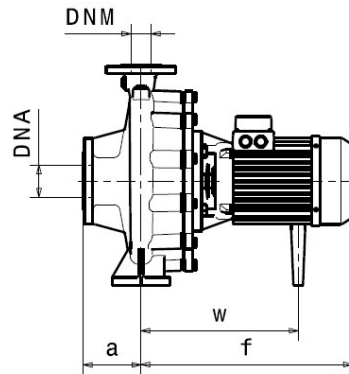
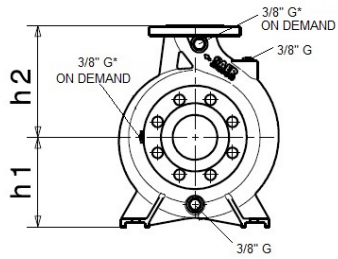
Pump dimensions

Connections

Suction side	Discharge port
DN50	DN32
PN10 / PN16	PN10 / PN16

Dimensions in mm

a	80
b	50
f	427
h1	160
h2	180
m1	100
m2	70
n1	240
n2	190
s	14
w	304



Disegni dimensionali e immagini non vincolanti. Saer si riserva il diritto di effettuare cambiamenti senza alcun preavviso. Dimensional drawing and picture are not binding. Saer reserves the right to make changes without prior notice.

Project

Project ID

Created by

Created on  
2022-02-22

Last update