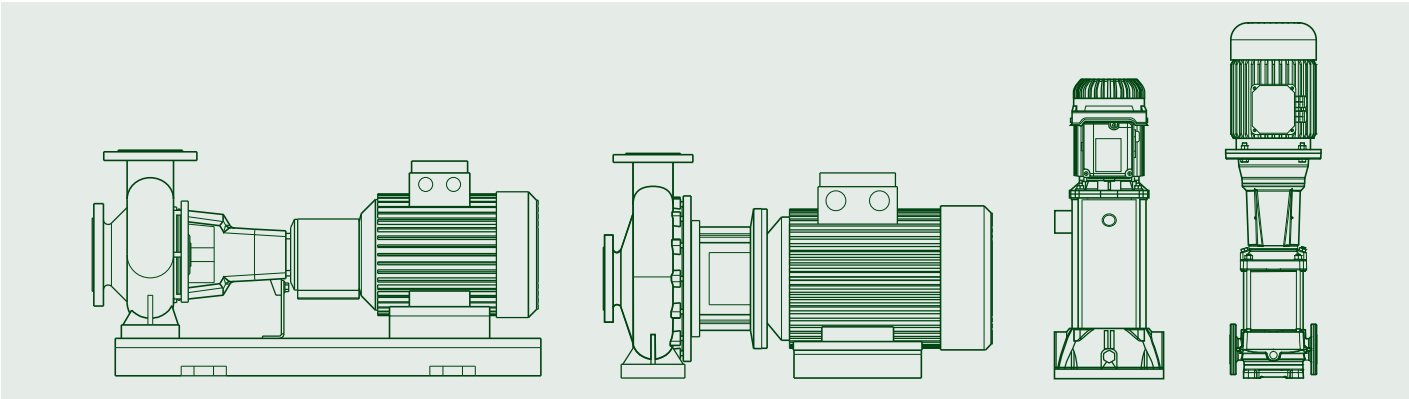


CENTRIFUGAL PUMPS



**TECHNICAL
CATALOGUE**

K SINGLE-IMPELLER

SINGLE-IMPELLER PUMPS



TECHNICAL DATA

Operating range:

from 1,8 to 96 m³/h, with head up to 62 metres

Pumped liquid: clean, free of solids and abrasives, non-viscous, non-aggressive, non-crystallised and chemically neutral, with properties similar to water

Liquid temperature range:

K 20/41, K 30/70, K 30/100, K 36/100

K 12/200, K 36/200, K 40/200: from -10 °C to +50 °C

Rest of the range: from -15 °C to +110 °C

Maximum ambient temperature: +40°C

Maximum operating pressure:

K 20/41, K 30/70, K 30/100, K 36/100, K 12/200, K 14/400 : 6 bar (600 kPa)

K 36/200, K 40/200, K 55/200, K 11/500, K 18/500, K 28/500 : 8 bar (800 kPa)

K 40/400, K 50/400, K 30/800, K 40/800, K 50/800,

K 20/1200, K 25/1200, K 35/1200 : 10 bar (1000 kPa)

Protection class:

IP 44 (IP 55 for 2,2 - 3 - 4 - 5,5 - 7,5 - 9,2 - 11 kW motors)

Protection class at the terminal board: IP 55

Insulation class: F

Standard voltage:

single-phase 220-240 V / 50 Hz

three-phase 230-400 V / 50 Hz up to 4 kW included - 400 V Δ 50 Hz from 5,5 kW

Installation: horizontal or vertical position, provided that the motor is always above the pump.

Special executions on requests: alternative voltages and frequencies

APPLICATIONS

Single-impeller centrifugal pump suitable for domestic, civil, industrial and agricultural systems, and for decanting, mixing and irrigation uses.

CONSTRUCTION FEATURES OF THE PUMP

Pump body and motor support in cast iron.

Technopolymer or cast iron impeller, as per the TECHNICAL DATA table.

Carbon/ceramic mechanical seal.

CONSTRUCTION FEATURES OF THE MOTOR

Closed asynchronous type, external ventilation cooling.

Rotor running on ball bearings, oversized to ensure low noise and durability.

Standard built-in thermo-amperometric protection. Capacitor permanently fitted on single phase versions.

For the protection of the three-phase motor, we recommend the use of remote overload cut-outs, in compliance with current local regulations.

Construction according to CEI 2-3.

IE2 motors as standard, from 0,75 kW to 5,5 kW - IE3 ≥ 7,5 kW.

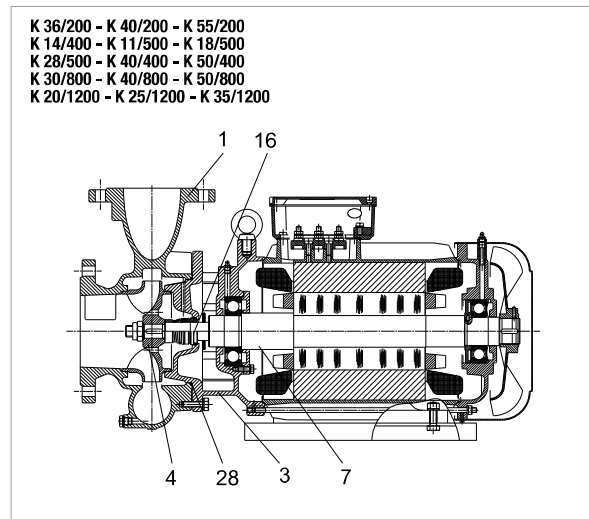
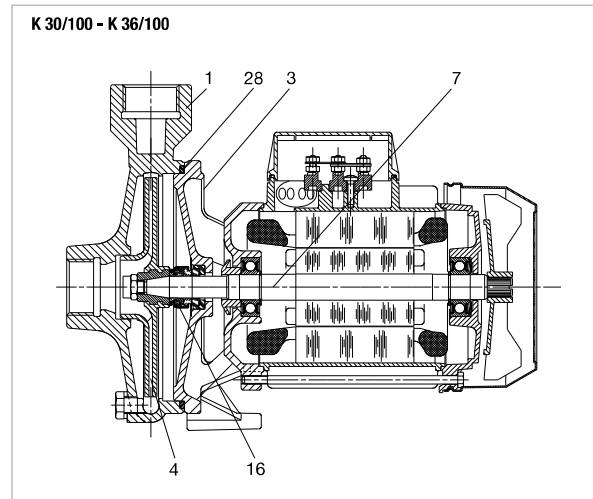
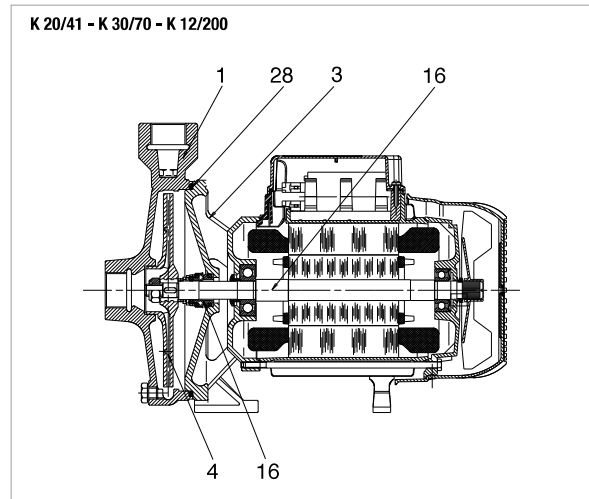
K SINGLE-IMPELLER

SINGLE-IMPELLER PUMPS

MATERIALS

No.	PARTS*	MATERIALS	MODELS
1	PUMP BODY	CAST IRON 200 UNI ISO 185	
3	SUPPORT	CAST IRON 200 UNI ISO 185	
4	IMPELLER	TECHNOPOLYMER A	20/41; K 30/70; K 30/100; K 36/100; K 12/200; K 36/200; K 40/200;
		TECHNOPOLYMER B	K 55/200
		CAST IRON 200 UNI ISO 185	K 14/400; K 11/500; K 18/500; K 28/500; K 40/400; K 50/400; K 30/800; K 40/800; K 50/800; K 20/1200; K 25/1200; K 35/1200;
7	SHAFT WITH ROTOR	AISI 416 STAINLESS STEEL X12CRS13 UNI 6900/71	K 20/41; K 30/70; K 12/200
		AISI 303 STAINLESS STEEL X10CRNIS 1089 UNI 6900/71	K 30/100; K 36/100; K 36/200; K 40/200; K 55/200; K14/400; K 11/500; K 18/500; K 28/500
		AISI 304 STAINLESS STEEL X5CRNI 1810 UNI 6900/71	K 40/400; K 50/400; K 30/800; K 40/800; K 50/800; K 20/1200; K 25/1200; K 35/1200;
16	MECHANICAL SEAL	CARBON / CERAMIC	
28	OR RING	NBR RUBBER	
		EPDM RUBBER	K 36/200; K 40/200; K 55/200; K 14/400; K 11/500; K 18/500; K 28/500; K 30/800; K 40/800; K 50/800; K 20/1200; K 25/1200; K 35/1200;

* In contact with the liquid



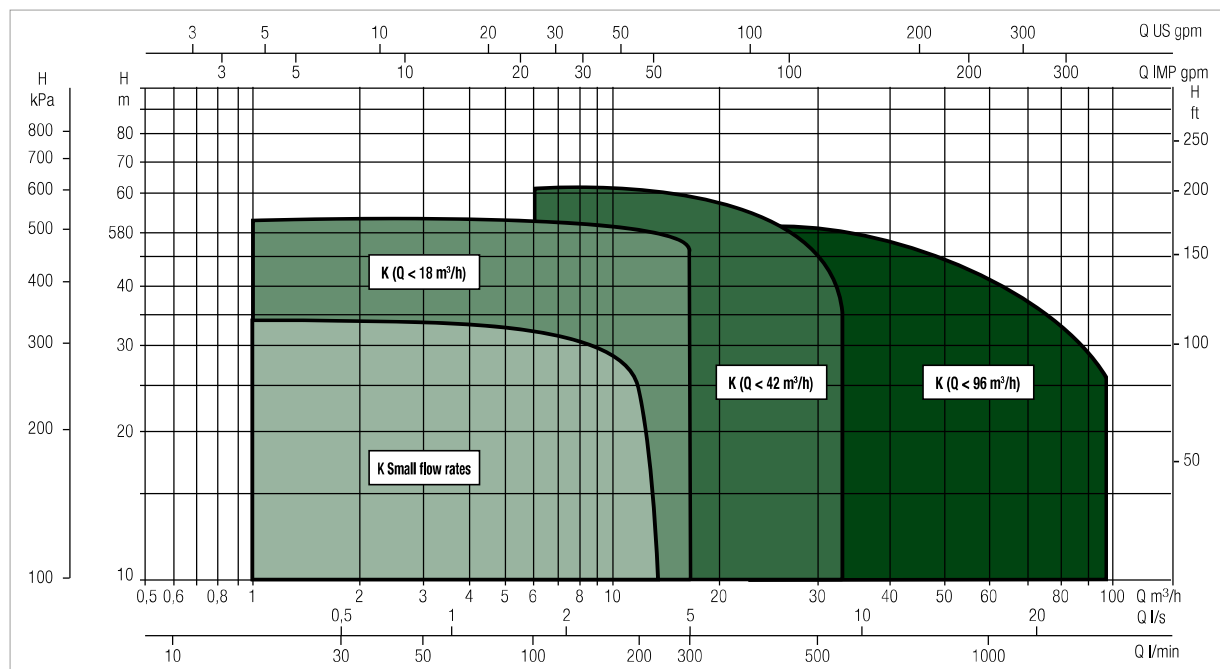
K SINGLE-IMPELLER RANGE

ELECTRIC PUMPS

PERFORMANCE RANGE

The performance curves are based on kinematic viscosity values = 1 mm²/s and density equal to 1000 kg/m³. Curve tolerance according to ISO 9906.

GRAPHIC SELECTION TABLE

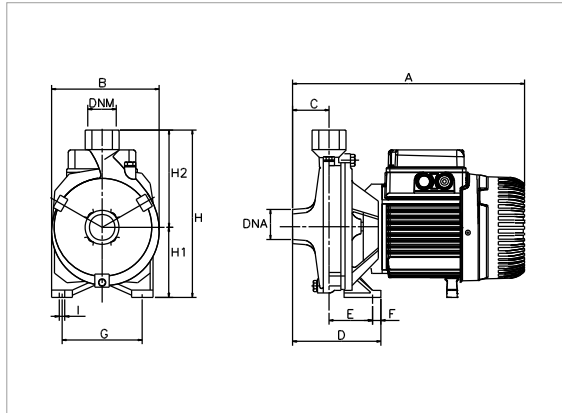


SELECTION TABLE

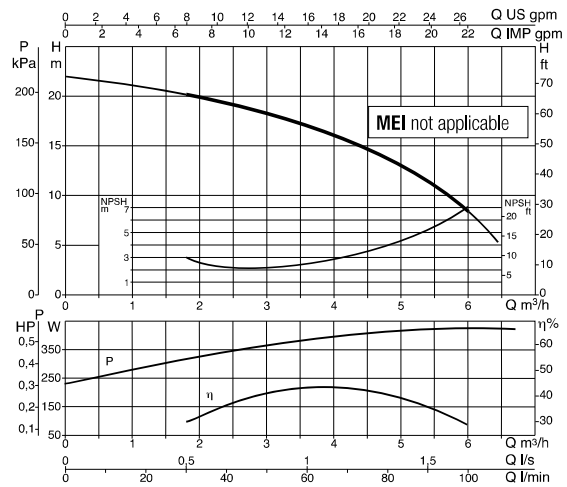
MODEL	Q= m ³ /h Q= l/min	H (m)																				
		0	1,8	2,4	3,6	4,8	6	7,2	9	9,6	10,8	12	15	18	24	30	36	42	60	72	84	96
K 20/41 M - T	0		20,3	19,4	16,9	13,6	8,3															
K 30/70 M - T	0	31,8	29,5	28,9	27	24,2	19,8	13,5														
K 30/100 M - T	0	29,2		29	28,8	28	26,8	25,3	22,5	21,5	18,5											
K 36/100 M - T	0	34,9		34,8	34,6	34	33	32	29,8	29	26,5											
K 12/200 M - T	0	18,4		17,2	16,5	16	15,3	14,7	13,5	13,1	12,3	11,4	8,9	5,5								
K 36/200 M - T	0	36,6				36	35,5	35	34	33,3	32,5	31,5	28	23,5								
K 40/200 M - T	0	41,3				41	40,5	40	39	38,8	38	37	33,5	29								
K 55/200 M - T	0	54					54	53,9	53,2	53	52	51,5	48,5	45								
K 14/400 M - T	0	19										18,8	18,5	18	16,3	13,8	10					
K 11/500 M - T	0	24,5										22,5	21,5	20	16,5	11,5	6,5					
K 18/500 M - T	0	31							30,9			30,7	30,4	30	28	24	17,9					
K 28/500 M - T	0	35										34,5	34	32,8	29,3	25,2	20					
K 40/400 T	0	50,5										49	48	45	37	24						
K 50/400 T	0	62										61	60	59	54,5	46						
K 30/800 T	0	44													42	40	38	35	21,5			
K 40/800 T	0	51,5													50	48	47	43,5	32,5	21		
K 50/800 T	0	58													56,5	55	53,5	51	41	31		
K 20/1200 T	0	37,5													36,5	36	35	34	30	26	21	15
K 25/1200 T	0	40,7													39	38,5	38	37	33,5	30	25	18
K 35/1200 T	0	45															43	42,5	38,5	35	31,5	27

K 20/41 - SINGLE-IMPELLER PUMPS

Pumped liquid temperature range: from -10 °C to +50°C - Maximum ambient temperature: +40°C



For MEI index refer to the hydraulic efficiency section.
The performance curves are based on kinematic viscosity values = 1 mm²/s and density equal to 1000 kg/m³. Curve tolerance according to ISO 9906.

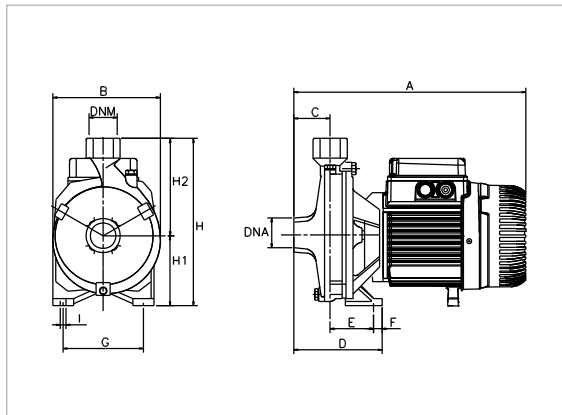


MODEL	POWER INPUT 50 Hz	P1 MAX kW	P2 NOMINAL		ELECTRICAL DATA				CAPACITOR	
			kW	HP	I _n A	MOTOR TYPE	I st. A	rpm n. 1/min.	μF	Vc
K 20/41 M	1 x 220 - 240 V ~	0,65	0,37	0,5	3	-	8,5	2800	10	450
K 20/41 T	3 x 230 - 400 V ~	0,64	0,37	0,5	2,3/1,3	-	8,6-5	2800	-	-

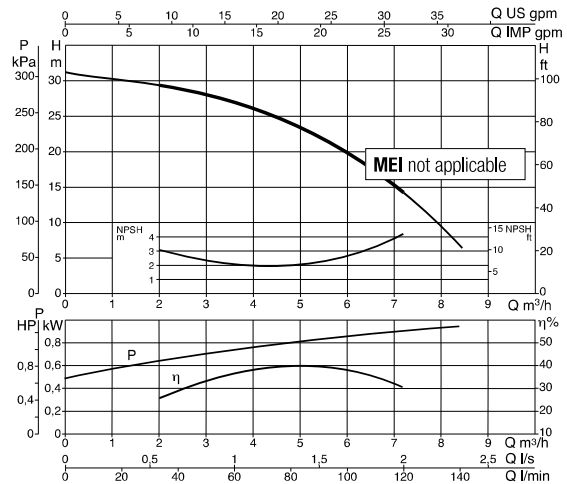
MODEL	MOTOR TYPE	A	B	C	D	E	F	G	ØI	H	H1	H2	DNA	DNM	PACKING DIMENSIONS			VOLUME (m ³)	WEIGHT kg
															L/A	L/B	H		
K 20/41 M	-	275	160	50	100	50	15	110	9	205	85	120	1" G	1" G	332	202	257	0,024	10
K 20/41 T	-	275	160	50	100	50	15	110	9	205	85	120	1" G	1" G	332	202	257	0,024	10

K 30/70 - SINGLE-IMPELLER PUMPS

Pumped liquid temperature range: from -10 °C to +50°C - Maximum ambient temperature: +40°C



For MEI index refer to the hydraulic efficiency section.
The performance curves are based on kinematic viscosity values = 1 mm²/s and density equal to 1000 kg/m³. Curve tolerance according to ISO 9906.

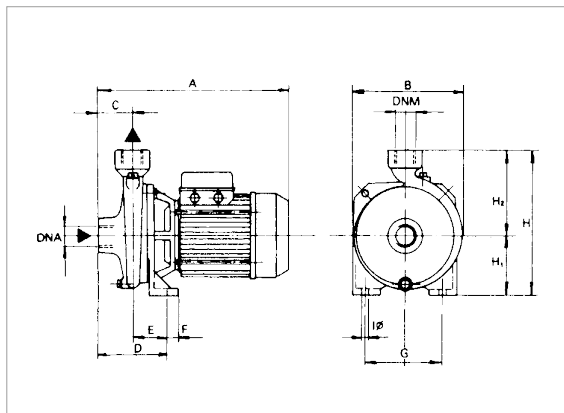


MODEL	POWER INPUT 50 Hz	P1 MAX kW	P2 NOMINAL		ELECTRICAL DATA				CAPACITOR	
			kW	HP	I _n A	MOTOR TYPE	I st. A	rpm n. 1/min.	μF	Vc
K 30/70 M	1 x 220 - 240 V ~	1,3	0,75	1	6	-	15,8	2800	20	450
K 30/70 T	3 x 230 - 400 V ~	1,2	0,75	1	4/2,3	IE3	18	2820	-	-
K 30/70 T	3 x 230 - 400 V ~	1,2	0,75	1	4,3/2,5	IE2	22,1-12,8	2820	-	-

MODEL	MOTOR TYPE	A	B	C	D	E	F	G	ØI	H	H1	H2	DNA	DNM	PACKING DIMENSIONS			VOLUME (m ³)	WEIGHT kg
															L/A	L/B	H		
K 30/70 M	-	330	185	50	108	58	15	140	9	235	100	135	1" G	1" G	386	226	272	0,024	13,9
K 30/70 T	IE3	330	185	50	108	58	15	140	9	235	100	135	1" G	1" G	386	226	272	0,024	13,7
K 30/70 T	IE2	330	185	50	108	58	15	140	9	235	100	135	1" G	1" G	386	226	272	0,024	13,7

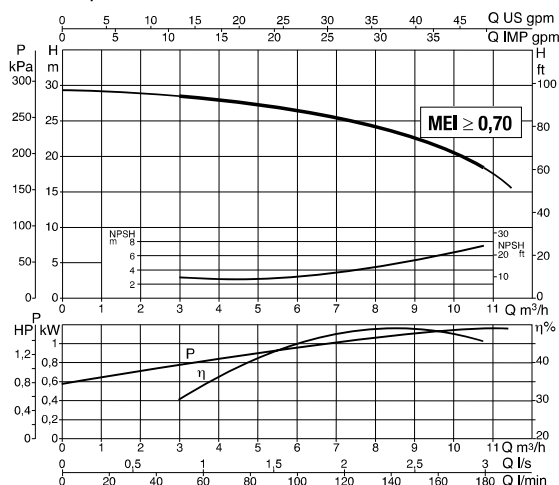
K 30/100 - SINGLE-IMPELLER PUMPS

Pumped liquid temperature range: from -10 °C to +50°C - Maximum ambient temperature: +40°C



For MEI index refer to the hydraulic efficiency section.

The performance curves are based on kinematic viscosity values = 1 mm²/s and density equal to 1000 kg/m³. Curve tolerance according to ISO 9906.

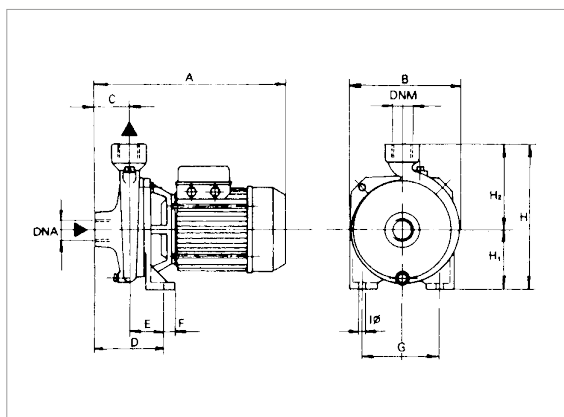


MODEL	POWER INPUT 50 Hz	P1 MAX kW	P2 NOMINAL		In A	MOTOR TYPE	I st. A	rpm n. 1/min.	CAPACITOR	
			kW	HP					μF	Vc
K 30/100 M	1 x 220 - 240 V ~	1,6	1,1	1,5	7,1	-	33	2800	31,5	450
K 30/100 T	3 x 230 - 400 V ~	1,6	1,1	1,5	5,4/3,1	IE3	26,4	2860	-	-
K 30/100 T	3 x 230 - 400 V ~	1,63	1,1	1,5	6,9/3,9	IE2	21	2860	-	-

MODEL	MOTOR TYPE	A	B	C	D	E	F	G	ØI	H	H1	H2	DNA	DNM	PACKING DIMENSIONS			VOLUME (m ³)	WEIGHT kg
															L/A	L/B	H		
K 30/100 M	-	333	200	50	114	64	15	140	9	255	105	150	1½" G	1" G	427	246	307	0,032	18,5
K 30/100 T	IE3	333	200	50	114	64	15	140	9	255	105	150	1½" G	1" G	427	246	307	0,032	18,2
K 30/100 T	IE2	333	200	50	114	64	15	140	9	255	105	150	1½" G	1" G	427	246	307	0,032	18,2

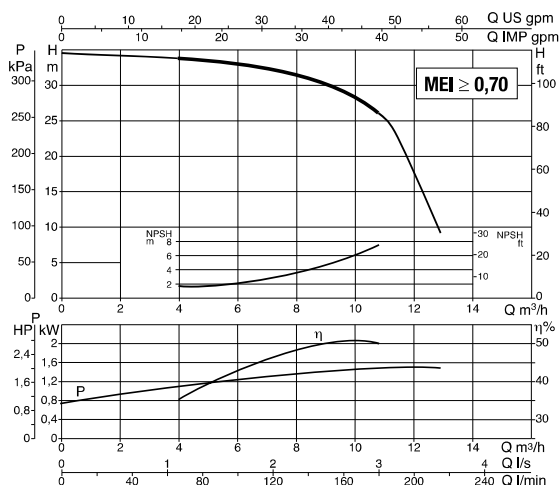
K 36/100 - SINGLE-IMPELLER PUMPS

Pumped liquid temperature range: from -10 °C to +50°C - Maximum ambient temperature: +40°C



For MEI index refer to the hydraulic efficiency section.

The performance curves are based on kinematic viscosity values = 1 mm²/s and density equal to 1000 kg/m³. Curve tolerance according to ISO 9906.

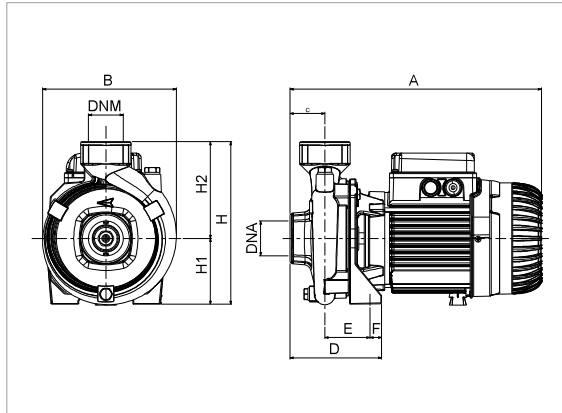


MODEL	POWER INPUT 50 Hz	P1 MAX kW	P2 NOMINAL		In A	MOTOR TYPE	I st. A	rpm n. 1/min.	CAPACITOR	
			kW	HP					μF	Vc
K 36/100 M	1 x 220 - 240 V ~	2,1	1,85	2,5	8,8	-	45	2850	40	450
K 36/100 T	3 x 230 - 400 V ~	1,9	1,85	2,5	6/3,5	IE3	26,4	2870	-	-
K 36/100 T	3 x 230 - 400 V ~	2	1,85	2,5	6,9/4	IE2	22	2870	-	-

MODEL	MOTOR TYPE	A	B	C	D	E	F	G	ØI	H	H1	H2	DNA	DNM	PACKING DIMENSIONS			VOLUME (m ³)	WEIGHT kg
															L/A	L/B	H		
K 36/100 M	-	333	200	50	114	64	15	140	9	255	105	150	1½" G	1" G	427	246	307	0,032	23,3
K 36/100 T	IE3	333	200	50	114	64	15	140	9	255	105	150	1½" G	1" G	427	246	307	0,032	19,7
K 36/100 T	IE2	333	200	50	114	64	15	140	9	255	105	150	1½" G	1" G	427	246	307	0,032	19,7

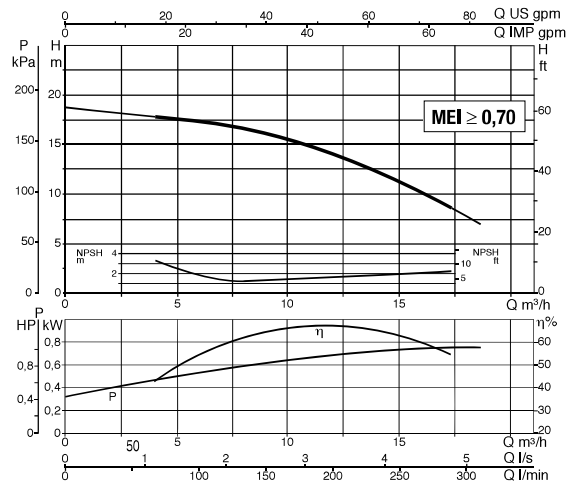
K 12/200 - SINGLE-IMPELLER PUMPS

Pumped liquid temperature range: from -10 °C to +50°C - Maximum ambient temperature: +40°C



For MEI index refer to the hydraulic efficiency section.

The performance curves are based on kinematic viscosity values = 1 mm²/s and density equal to 1000 kg/m³. Curve tolerance according to ISO 9906.

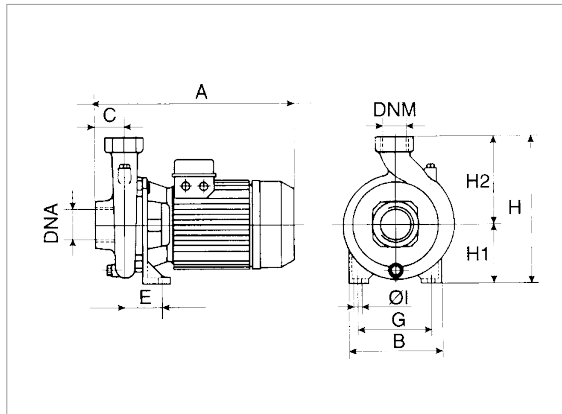


MODEL	POWER INPUT 50 Hz	P1 MAX kW	P2 NOMINAL		In A	MOTOR TYPE	I st. A	rpm n. 1/min.	CAPACITOR	
			kW	HP					μF	Vc
K 12/200 M	1 x 220 - 240 V ~	1,1	0,75	1	5,2	-	18,5	2940	25	450
K 12/200 T	3 x 230 - 400 V ~	0,97	0,75	1	3,5/2	IE3	18	2940	-	-
K 12/200 T	3 x 230 - 400 V ~	0,97	0,75	1	4/2,3	IE2	22,1-12,8	2940	-	-

MODEL	MOTOR TYPE	A	B	C	D	E	F	G	ØI	H	H1	H2	DNA	DNM	PACKING DIMENSIONS			VOLUME (m ³)	WEIGHT kg
															L/A	L/B	H		
K 12/200 M	-	325	173	45	118	58	15	110	9,5	218	85	125	1 1/2" G	1 1/2" G	392	232	280	0,026	13,7
K 12/200 T	IE3	325	173	45	118	58	15	110	9,5	218	85	125	1 1/2" G	1 1/2" G	392	232	280	0,026	13,8
K 12/200 T	IE2	325	173	45	118	58	15	110	9,5	218	85	125	1 1/2" G	1 1/2" G	392	232	280	0,026	13,8

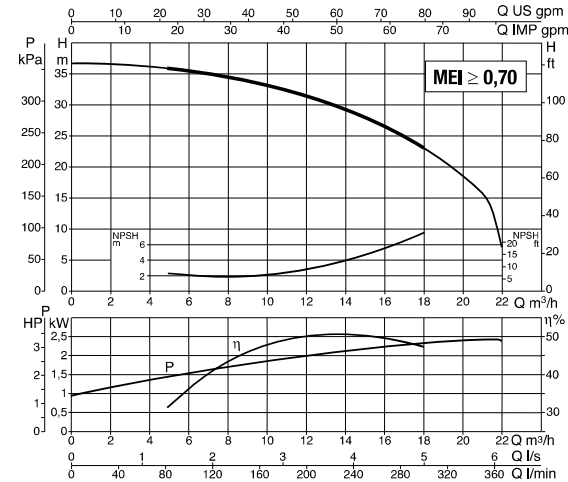
K 36/200 - SINGLE-IMPELLER PUMPS

Pumped liquid temperature range: from -10 °C to +50°C - Maximum ambient temperature: +40°C



For MEI index refer to the hydraulic efficiency section.

The performance curves are based on kinematic viscosity values = 1 mm²/s and density equal to 1000 kg/m³. Curve tolerance according to ISO 9906.

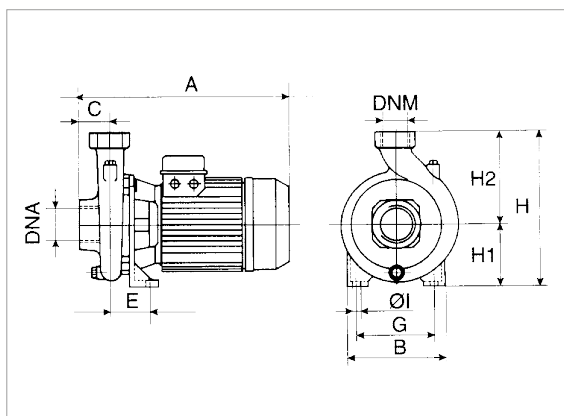


MODEL	POWER INPUT 50 Hz	P1 MAX kW	P2 NOMINAL		In A	MOTOR TYPE	I st. A	rpm n. 1/min.	CAPACITOR	
			kW	HP					μF	Vc
K 36/200 M	1 x 220 - 240 V ~	3	2,2	3	13,5	-	50	2900	80	450
K 36/200 T	3 x 230 - 400 V ~	3,1	2,2	3	9,7/5,6	IE3	33,5	2860	-	-
K 36/200 T	3 x 230 - 400 V ~	3	2,2	3	9/5,2	IE2	45-26	2860	-	-

MODEL	MOTOR TYPE	A	B	C	E	G	ØI	H	H1	H2	DNA	DNM	PACKING DIMENSIONS			VOLUME (m ³)	WEIGHT kg
													L/A	L/B	H		
K 36/200 M	-	425	250	55	86	175	14	320	135	185	2" G	1 1/2" G	512	276	345	0,049	35,5
K 36/200 T	IE3	425	250	55	86	175	14	320	135	185	2" G	1 1/2" G	512	276	345	0,049	21
K 36/200 T	IE2	425	250	55	86	175	14	320	135	185	2" G	1 1/2" G	512	276	345	0,049	33,1

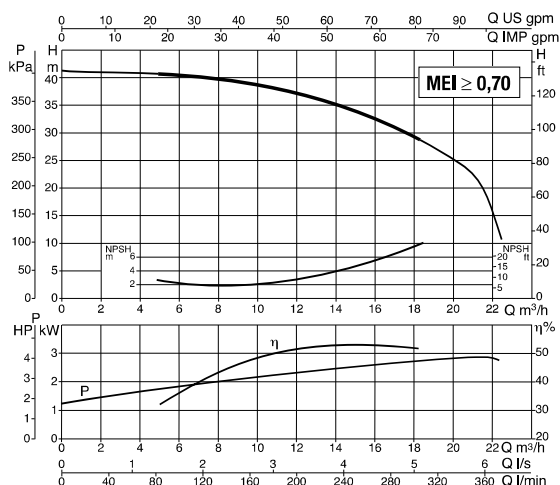
K 40/200 - SINGLE-IMPELLER PUMPS

Pumped liquid temperature range: from -10 °C to +50°C - Maximum ambient temperature: +40°C



For MEI index refer to the hydraulic efficiency section.

The performance curves are based on kinematic viscosity values = 1 mm²/s and density equal to 1000 kg/m³. Curve tolerance according to ISO 9906.

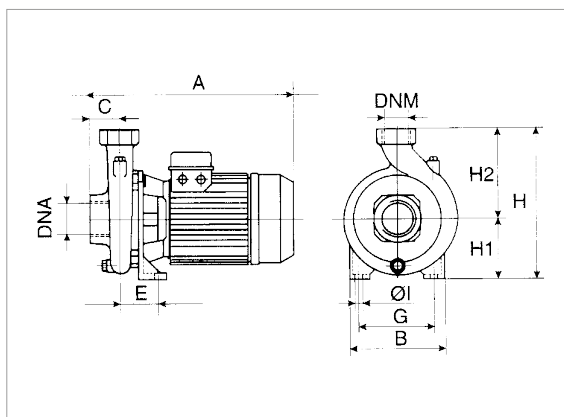


MODEL	POWER INPUT 50 Hz	P1 MAX kW	P2 NOMINAL		In A	MOTOR TYPE	I st. A	rpm n. 1/min.	CAPACITOR	
			kW	HP					μF	Vc
K 40/200 M	1 x 220 - 240 V ~	3,9	3	4	17,5	-	80	2900	160	450
K 40/200 T	3 x 230 - 400 V ~	3,6	3	4	10,9/6,3	IE3	44,2	2830	-	-
K 40/200 T	3 x 230 - 400 V ~	4	3	4	13,3/7,5	IE2	67,5-39	2830	-	-

MODEL	MOTOR TYPE	A	B	C	E	G	ØI	H	H1	H2	DNA	DNM	PACKING DIMENSIONS			VOLUME (m ³)	WEIGHT kg
													L/A	L/B	H		
K 40/200 M	-	425	250	55	86	175	14	320	135	185	2" G	1 1/4" G	512	276	345	0,049	37,8
K 40/200 T	IE3	425	250	55	86	175	14	320	135	185	2" G	1 1/4" G	512	276	345	0,049	19
K 40/200 T	IE2	425	250	55	86	175	14	320	135	185	2" G	1 1/4" G	512	276	345	0,049	34,9

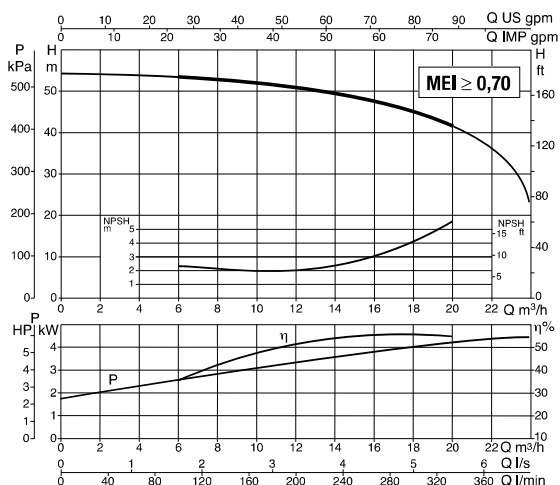
K 55/200 - SINGLE-IMPELLER PUMPS

Pumped liquid temperature range: from -10 °C to +110°C - Maximum ambient temperature: +40°C



For MEI index refer to the hydraulic efficiency section.

The performance curves are based on kinematic viscosity values = 1 mm²/s and density equal to 1000 kg/m³. Curve tolerance according to ISO 9906.

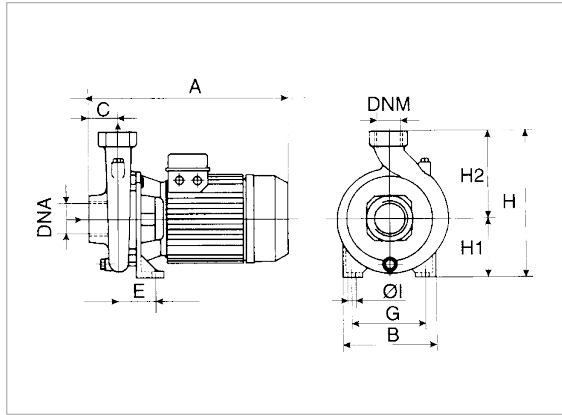


MODEL	POWER INPUT 50 Hz	P1 MAX kW	P2 NOMINAL		In A	MOTOR TYPE	I st. A	rpm n. 1/min.	CAPACITOR	
			kW	HP					μF	Vc
K 55/200 M	1 x 220 - 240 V ~	5	4	5,5	21,8	-	110	2900	160	450
K 55/200 T	3 x 230 - 400 V ~	5,1	3,7	5	15,9/6,2	IE3	51,6	2880	-	-
K 55/200 T	3 x 230 - 400 V ~	5,1	4	5,5	16,3/9,4	IE2	104-60	2900	-	-

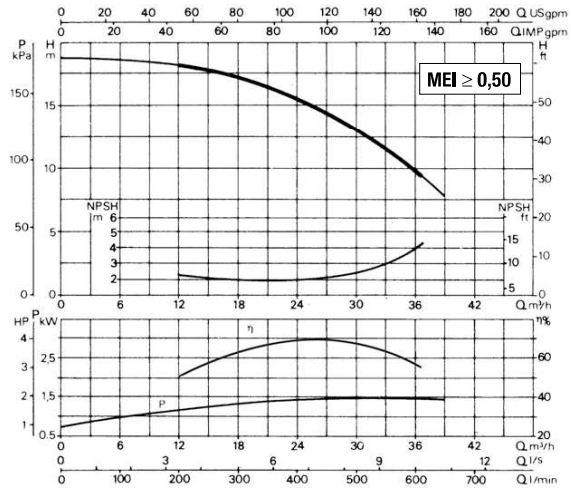
MODEL	MOTOR TYPE	A	B	C	E	G	ØI	H	H1	H2	DNA	DNM	PACKING DIMENSIONS			VOLUME (m ³)	WEIGHT kg
													L/A	L/B	H		
K 55/200 M	-	425	250	55	86	175	14	320	135	185	2" G	1 1/4" G	512	276	345	0,049	40,2
K 55/200 T	IE3	425	250	55	86	175	14	320	135	185	2" G	1 1/4" G	512	276	345	0,049	39
K 55/200 T	IE2	425	250	55	86	175	14	320	135	185	2" G	1 1/4" G	512	276	345	0,049	39

K 14/400 - SINGLE-IMPELLER PUMPS

Pumped liquid temperature range: from -10 °C to +110°C - Maximum ambient temperature: +40°C



For MEI index refer to the hydraulic efficiency section.
The performance curves are based on kinematic viscosity values = 1 mm²/s and density equal to 1000 kg/m³. Curve tolerance according to ISO 9906.

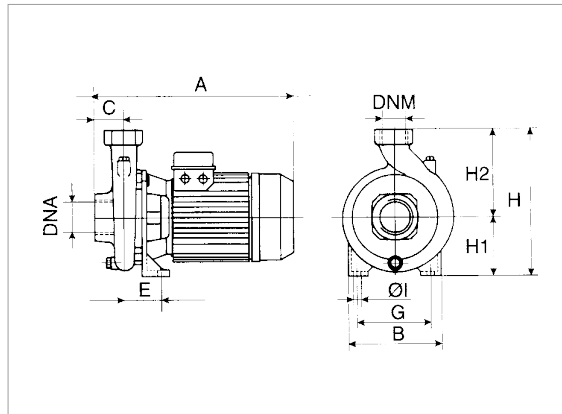


MODEL	POWER INPUT 50 Hz	P1 MAX kW	P2 NOMINAL		In A	MOTOR TYPE	I st. A	rpm n. 1/min.	CAPACITOR	
			kW	HP					μF	Vc
K 14/400 M	1 x 220 - 240 V ~	2,1	1,85	2,5	9,5	-	38	2850	40	450
K 14/400 T	3 x 230 - 400 V ~	1,9	1,85	2,5	6/3,5	IE3	26,4	2850	-	-
K 14/400 T	3 x 230 - 400 V ~	2,1	1,85	2,5	7/4	IE2	37,5-21,7	2850	-	-

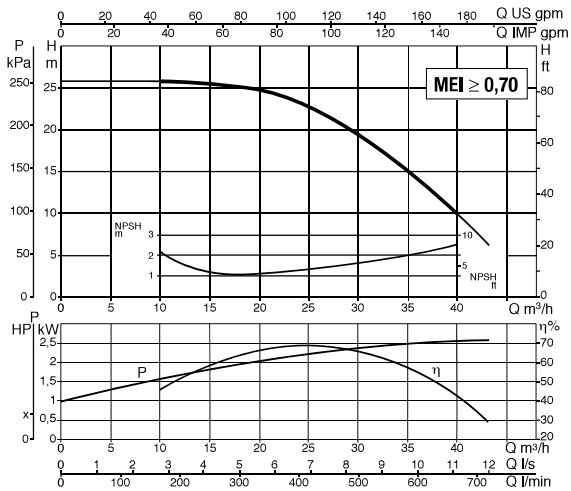
MODEL	MOTOR TYPE	A	B	C	E	G	ØI	H	H1	H2	DNA	DNM	PACKING DIMENSIONS			VOLUME (m ³)	WEIGHT kg
													L/A	L/B	H		
K 14/400 M	-	430	200	62	74	120	11	270	105	165	2" G	2" G	427	246	307	0,032	24,5
K 14/400 T	IE3	358	200	62	74	120	11	270	105	165	2" G	2" G	427	246	307	0,032	22
K 14/400 T	IE2	358	200	62	74	120	11	270	105	165	2" G	2" G	427	246	307	0,032	22

K 11/500 - SINGLE-IMPELLER PUMPS

Pumped liquid temperature range: from -10 °C to +110°C - Maximum ambient temperature: +40°C



For MEI index refer to the hydraulic efficiency section.
The performance curves are based on kinematic viscosity values = 1 mm²/s and density equal to 1000 kg/m³. Curve tolerance according to ISO 9906.

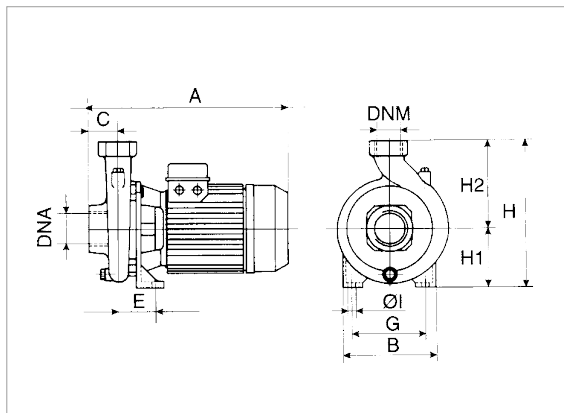


MODEL	POWER INPUT 50 Hz	P1 MAX kW	P2 NOMINAL		In A	MOTOR TYPE	I st. A	rpm n. 1/min.	CAPACITOR	
			kW	HP					μF	Vc
K 11/500 M	1 x 220 - 240 V ~	2,8	2,2	3	12,5	-	50	2900	80	450
K 11/500 T	3 x 230 - 400 V ~	2,9	2,2	3	9,3/5,4	IE3	33,5	2950	-	-
K 11/500 T	3 x 230 - 400 V ~	2,9	2,2	3	9,3/5,4	IE2	45-26	2900	-	-

MODEL	MOTOR TYPE	A	B	C	E	G	ØI	H	H1	H2	DNA	DNM	PACKING DIMENSIONS			VOLUME (m ³)	WEIGHT kg
													L/A	L/B	H		
K 11/500 M	-	440	240	62	100	155	14	312	132	180	2 1/2" G	2" G	512	286	345	0,049	35,6
K 11/500 T	IE3	440	240	62	100	155	14	312	132	180	2 1/2" G	2" G	512	286	345	0,049	21
K 11/500 T	IE2	440	240	62	100	155	14	312	132	180	2 1/2" G	2" G	512	286	345	0,049	34,2

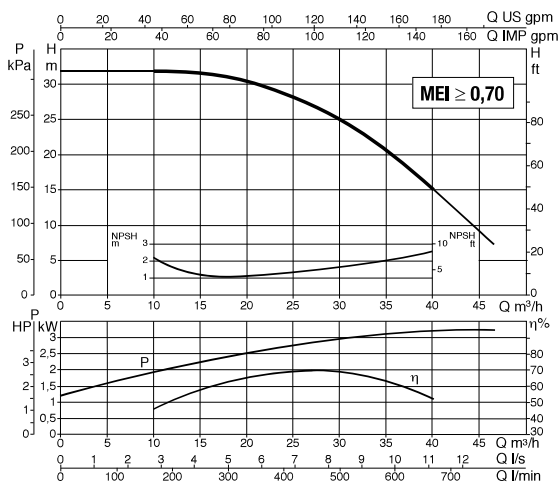
K 18/500 - SINGLE-IMPELLER PUMPS

Pumped liquid temperature range: from -10 °C to +110°C - Maximum ambient temperature: +40°C



For MEI index refer to the hydraulic efficiency section.

The performance curves are based on kinematic viscosity values = 1 mm²/s and density equal to 1000 kg/m³. Curve tolerance according to ISO 9906.

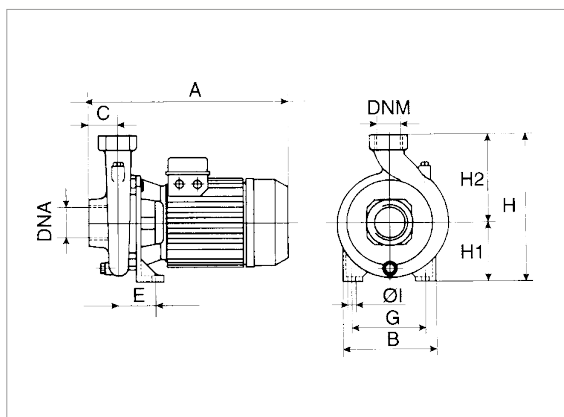


MODEL	POWER INPUT 50 Hz	P1 MAX kW	P2 NOMINAL		In A	MOTOR TYPE	I st. A	rpm n. 1/min.	CAPACITOR	
			kW	HP					μF	Vc
K 18/500 M	1 x 220 - 240 V ~	3,9	3	4	18	-	80	2900	160	450
K 18/500 T	3 x 230 - 400 V ~	3,7	3	4	11,4/6,6	IE3	44,2	2950	-	-
K 18/500 T	3 x 230 - 400 V ~	3,8	3	4	13/7,5	IE2	67,5-39	2900	-	-

MODEL	MOTOR TYPE	A	B	C	E	G	ØI	H	H1	H2	DNA	DNM	PACKING DIMENSIONS			VOLUME (m ³)	WEIGHT kg
													L/A	L/B	H		
K 18/500 M	-	440	240	62	100	155	14	312	132	180	2 1/2" G	2" G	512	286	345	0,049	39,4
K 18/500 T	IE3	440	240	62	100	155	14	312	132	180	2 1/2" G	2" G	512	286	345	0,049	19
K 18/500 T	IE2	440	240	62	100	155	14	312	132	180	2 1/2" G	2" G	512	286	345	0,049	36,6

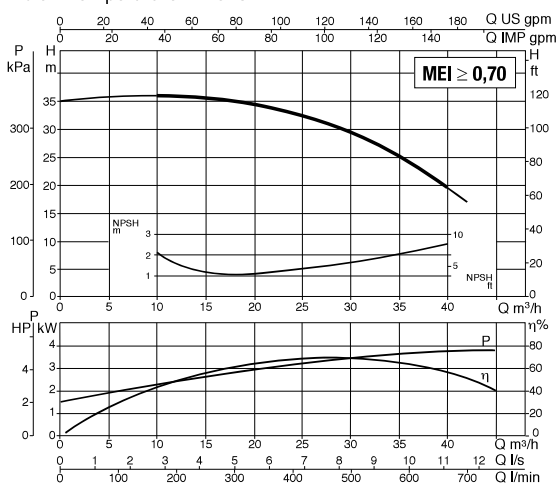
K 28/500 - SINGLE-IMPELLER PUMPS

Pumped liquid temperature range: from -10 °C to +110°C - Maximum ambient temperature: +40°C



For MEI index refer to the hydraulic efficiency section.

The performance curves are based on kinematic viscosity values = 1 mm²/s and density equal to 1000 kg/m³. Curve tolerance according to ISO 9906.

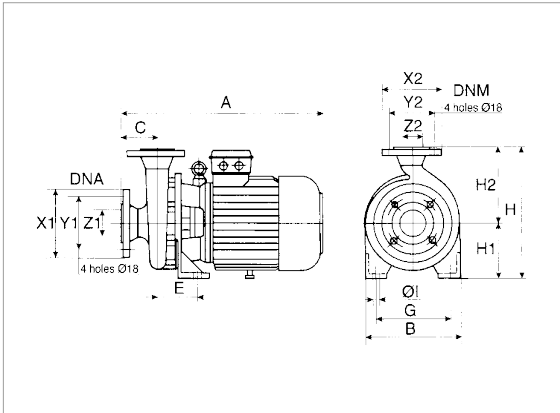


MODEL	POWER INPUT 50 Hz	P1 MAX kW	P2 NOMINAL		In A	MOTOR TYPE	I st. A	rpm n. 1/min.	CAPACITOR	
			kW	HP					μF	Vc
K 28/500 M	1 x 220 - 240 V ~	4,7	4	5,5	21,4	-	110	2900	160	450
K 28/500 T	3 x 230 - 400 V ~	4,6	3,7	5	14,2/8,2	IE3	51,6	2950	-	-
K 28/500 T	3 x 230 - 400 V ~	4,55	4	5,5	13,7/8	IE2	104-60	2900	-	-

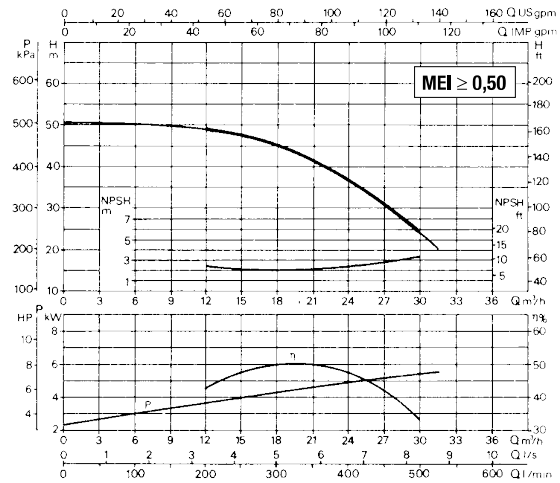
MODEL	MOTOR TYPE	A	B	C	E	G	ØI	H	H1	H2	DNA	DNM	PACKING DIMENSIONS			VOLUME (m ³)	WEIGHT kg
													L/A	L/B	H		
K 28/500 M	-	440	240	62	100	155	14	312	132	180	2 1/2" G	2" G	512	286	345	0,049	42
K 28/500 T	IE3	440	240	62	100	155	14	312	132	180	2 1/2" G	2" G	512	286	345	0,049	40,6
K 28/500 T	IE2	440	240	62	100	155	14	312	132	180	2 1/2" G	2" G	512	286	345	0,049	40,6

K 40/400 - SINGLE-IMPELLER PUMPS

Pumped liquid temperature range: from -10 °C to +110°C - Maximum ambient temperature: +40°C



For MEI index refer to the hydraulic efficiency section.
The performance curves are based on kinematic viscosity values = 1 mm²/s and density equal to 1000 kg/m³. Curve tolerance according to ISO 9906.



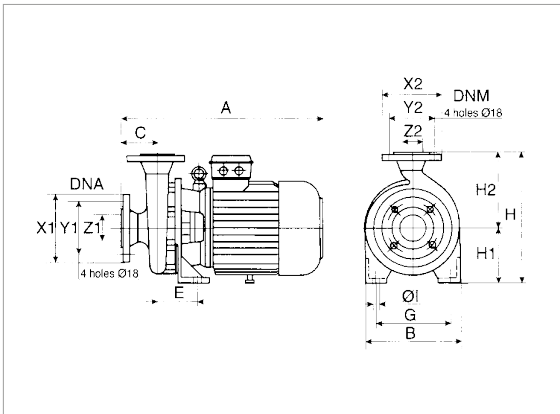
MODEL	ELECTRICAL DATA							
	POWER INPUT 50 Hz	P1 MAX kW	P2 NOMINAL		In A	MOTOR TYPE	Ist A	rpm n. 1/min.
			kW	HP				
K 40/400 T	3 x 400 V ~ 1	6,7	5,5	7,5	11,7	IE3	76	2900

MODEL	A	B	C	E	G	I Ø	H	H1	H2	DNA	DNA			DNM	DNM			PACKING DIMENSIONS			VOLUME (m ³)	WEIGHT Kg
											x1	y1	z1		x2	y2	z2	L/A	L/B	H		
K 40/400 T	560	273	100	110	212	14	360	160	200	65	185	145	65	50	165	125	50	680	330	572	0,128	79

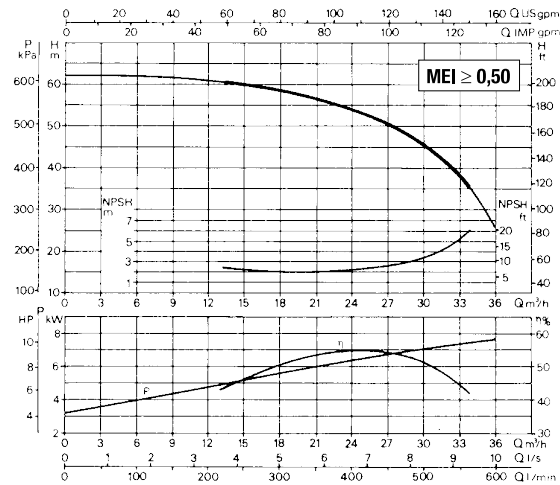
¹ star starting is possible (A)

K 50/400 - SINGLE-IMPELLER PUMPS

Pumped liquid temperature range: from -10 °C to +110°C - Maximum ambient temperature: +40°C



For MEI index refer to the hydraulic efficiency section.
The performance curves are based on kinematic viscosity values = 1 mm²/s and density equal to 1000 kg/m³. Curve tolerance according to ISO 9906.



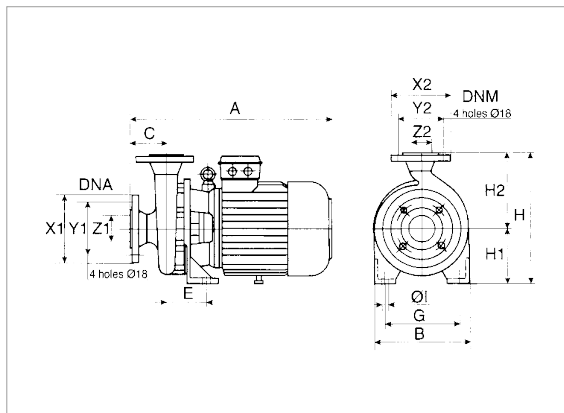
MODEL	ELECTRICAL DATA							
	POWER INPUT 50 Hz	P1 MAX kW	P2 NOMINAL		In A	MOTOR TYPE	Ist A	rpm n. 1/min.
			kW	HP				
K 50/400 T	3 x 400 V ~ 1	8,5	7,5	10	14,5	IE3	112	2910

MODEL	A	B	C	E	G	I Ø	H	H1	H2	DNA	DNA			DNM	DNM			PACKING DIMENSIONS			VOLUME (m ³)	WEIGHT Kg
											x1	y1	z1		x2	y2	z2	L/A	L/B	H		
K 50/400 T	560	273	100	110	212	14	360	160	200	65	185	145	65	50	165	125	50	680	330	572	0,128	78,8

¹ star starting is possible (A)

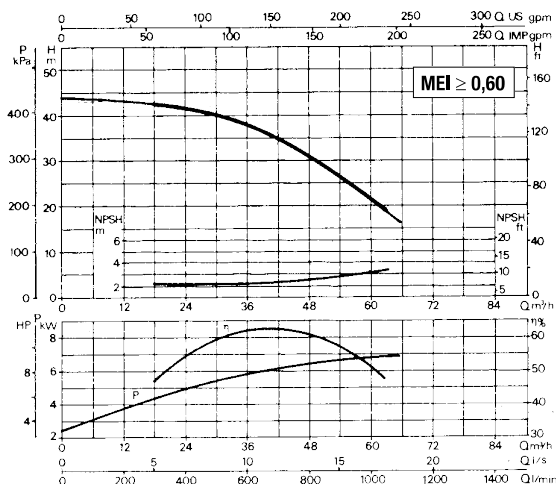
K 30/800 - SINGLE-IMPELLER PUMPS

Pumped liquid temperature range: from -10 °C to +110°C - Maximum ambient temperature: +40°C



For MEI index refer to the hydraulic efficiency section.

The performance curves are based on kinematic viscosity values = 1 mm²/s and density equal to 1000 kg/m³. Curve tolerance according to ISO 9906.



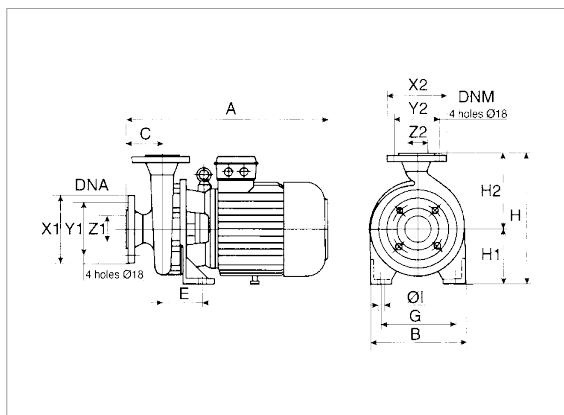
MODEL	ELECTRICAL DATA							
	POWER INPUT 50 Hz	P1 MAX kW	P2 NOMINAL		In A	MOTOR TYPE	Ist A	rpm n. 1/min.
			kW	HP				
K 30/800 T	3 x 400 V ~ 1	8,2	7,5	10	14,4	IE3	112	2920

MODEL	A	B	C	E	G	I Ø	H	H1	H2	DNA	DNA			DNM	DNM			PACKING DIMENSIONS			VOLUME (m ³)	WEIGHT Kg
											x1	y1	z1		x2	y2	z2	L/A	L/B	H		
K 30/800 T	600	273	100	110	212	14	385	160	225	80	200	160	80	65	185	145	65	680	330	572	0,128	90,2

¹ star starting is possible (A)

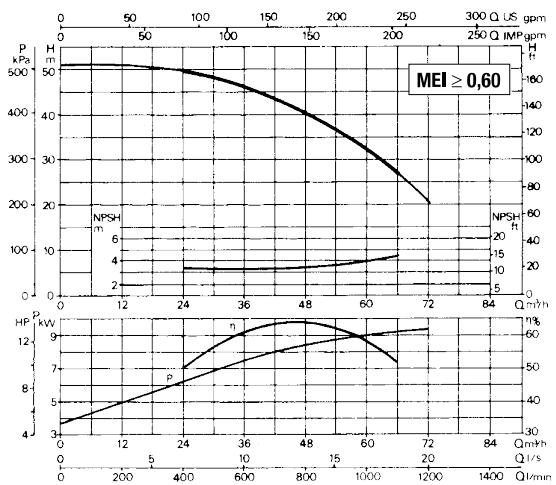
K 40/800 - SINGLE-IMPELLER PUMPS

Pumped liquid temperature range: from -10 °C to +110°C - Maximum ambient temperature: +40°C



For MEI index refer to the hydraulic efficiency section.

The performance curves are based on kinematic viscosity values = 1 mm²/s and density equal to 1000 kg/m³. Curve tolerance according to ISO 9906.



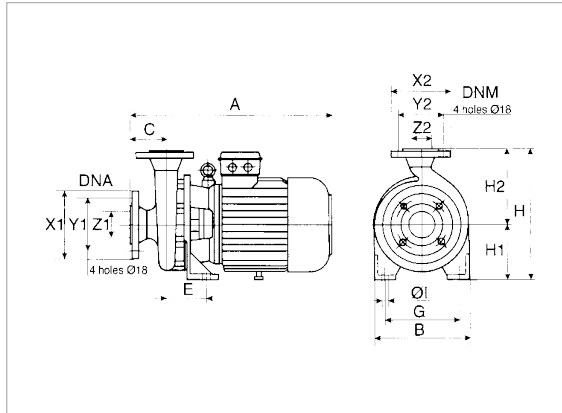
MODEL	ELECTRICAL DATA							
	POWER INPUT 50 Hz	P1 MAX kW	P2 NOMINAL		In A	MOTOR TYPE	Ist A	rpm n. 1/min.
			kW	HP				
K 40/800 T	3 x 400 V ~ 1	10,2	9,2	12,5	17,1	IE3	135	2920

MODEL	A	B	C	E	G	I Ø	H	H1	H2	DNA	DNA			DNM	DNM			PACKING DIMENSIONS			VOLUME (m ³)	WEIGHT Kg
											x1	y1	z1		x2	y2	z2	L/A	L/B	H		
K 40/800 T	600	273	100	110	212	14	385	160	225	80	200	160	80	65	185	145	65	680	330	572	0,128	95

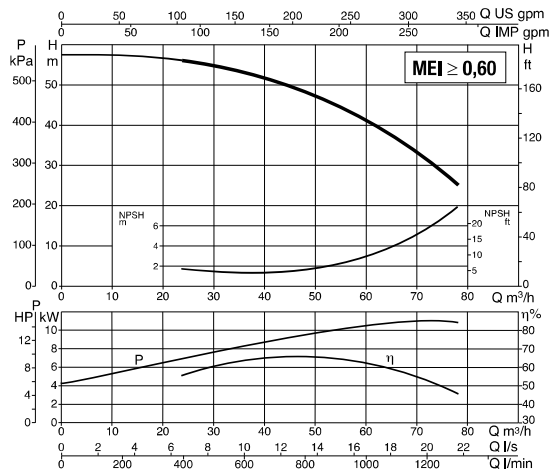
¹ star starting is possible (A)

K 50/800 - SINGLE-IMPELLER PUMPS

Pumped liquid temperature range: from -10 °C to +110°C - Maximum ambient temperature: +40°C



For MEI index refer to the hydraulic efficiency section.
The performance curves are based on kinematic viscosity values = 1 mm²/s and density equal to 1000 kg/m³. Curve tolerance according to ISO 9906.



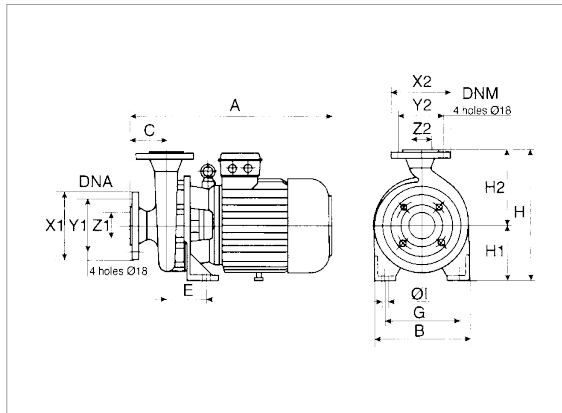
MODEL	ELECTRICAL DATA							
	POWER INPUT 50 Hz	P1 MAX kW	P2 NOMINAL		In A	MOTOR TYPE	Ist A	rpm n. 1/min.
			kW	HP				
K 50/800 T	3 x 400 V ~ 1	12,7	11	15	21	IE3	193	2900

MODEL	A	B	C	E	G	I Ø	H	H1	H2	DNA	DNA			DNM	DNM			PACKING DIMENSIONS			VOLUME (mc)	WEIGHT Kg
											x1	y1	z1		x2	y2	z2	L/A	L/B	H		
K 50/800 T	600	273	100	110	212	14	385	160	225	80	200	160	80	65	185	145	65	680	330	572	0,128	104,3

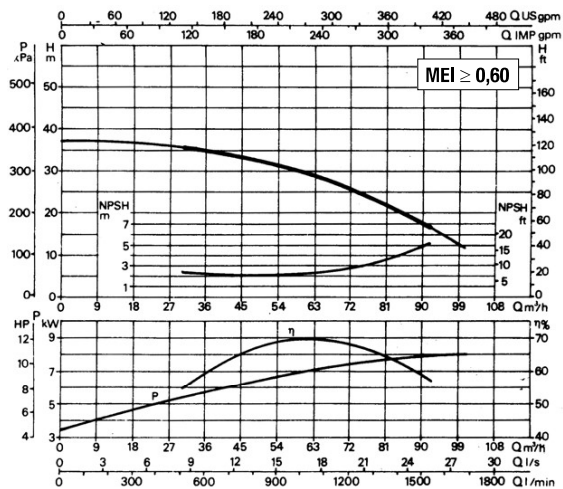
¹ star starting is possible (A)

K 20/1200 - SINGLE-IMPELLER PUMPS

Pumped liquid temperature range: from -10 °C to +110°C - Maximum ambient temperature: +40°C



For MEI index refer to the hydraulic efficiency section.
The performance curves are based on kinematic viscosity values = 1 mm²/s and density equal to 1000 kg/m³. Curve tolerance according to ISO 9906.



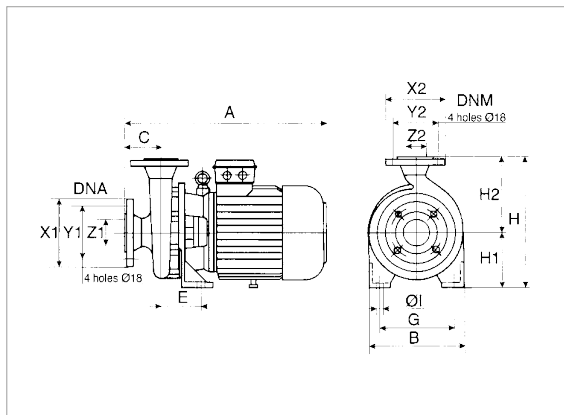
MODEL	ELECTRICAL DATA							
	POWER INPUT 50 Hz	P1 MAX kW	P2 NOMINAL		In A	MOTOR TYPE	Ist A	rpm n. 1/min.
			kW	HP				
K 20/1200 T	3 x 400 V ~ 1	8,3	7,5	10	14,3	IE3	112	2920

MODEL	A	B	C	E	G	I Ø	H	H1	H2	DNA	DNA			DNM	DNM			PACKING DIMENSIONS			VOLUME (m³)	WEIGHT Kg
											x1	y1	z1		x2	y2	z2	L/A	L/B	H		
K 20/1200 T	600	273	100	110	212	14	385	160	225	80	200	160	80	65	185	145	65	680	330	572	0,128	88

¹ star starting is possible (A)

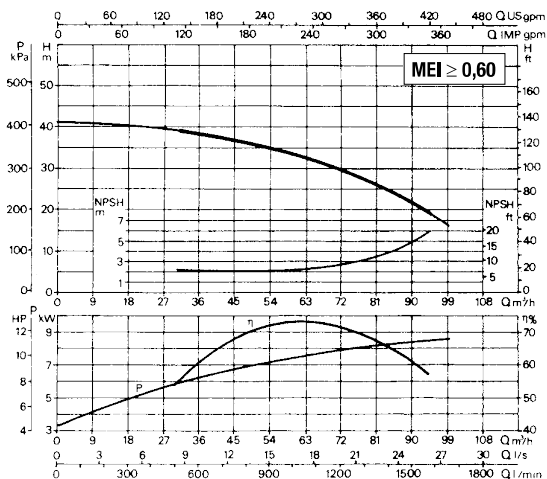
K 25/1200 - SINGLE-IMPELLER PUMPS

Pumped liquid temperature range: from -10 °C to +110°C - Maximum ambient temperature: +40°C



For MEI index refer to the hydraulic efficiency section.

The performance curves are based on kinematic viscosity values = 1 mm²/s and density equal to 1000 kg/m³. Curve tolerance according to ISO 9906.



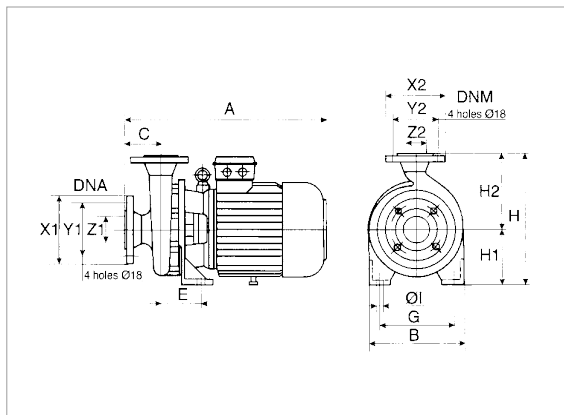
MODEL	ELECTRICAL DATA							
	POWER INPUT 50 Hz	P1 MAX kW	P2 NOMINAL		In A	MOTOR TYPE	Ist A	rpm n. 1/min.
			kW	HP				
K 25/1200 T	3 x 400 V ~ 1	9,4	9,2	12,5	16,2	IE3	135	2910

MODEL	A	B	C	E	G	I Ø	H	H1	H2	DNA	DNA			DNM	DNM			PACKING DIMENSIONS			VOLUME (mc)	WEIGHT Kg
											x1	y1	z1		x2	y2	z2	L/A	L/B	H		
K 25/1200 T	600	273	100	110	212	14	385	160	225	80	200	160	80	65	185	145	65	680	330	572	0,128	94

¹ star starting is possible (A)

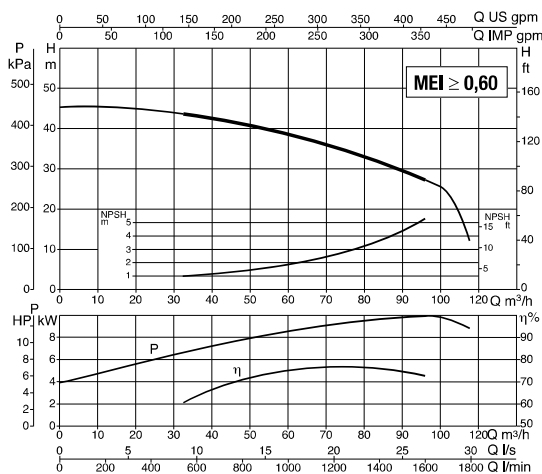
K 35/1200 - SINGLE-IMPELLER PUMPS

Pumped liquid temperature range: from -10 °C to +110°C - Maximum ambient temperature: +40°C



For MEI index refer to the hydraulic efficiency section.

The performance curves are based on kinematic viscosity values = 1 mm²/s and density equal to 1000 kg/m³. Curve tolerance according to ISO 9906.



MODEL	ELECTRICAL DATA							
	POWER INPUT 50 Hz	P1 MAX kW	P2 NOMINAL		In A	MOTOR TYPE	Ist A	rpm n. 1/min.
			kW	HP				
K 35/1200 T	3 x 400 V ~ 1	11,8	11	15	20	IE3	193	2900

MODEL	A	B	C	E	G	I Ø	H	H1	H2	DNA	DNA			DNM	DNM			PACKING DIMENSIONS			VOLUME (mc)	WEIGHT Kg
											x1	y1	z1		x2	y2	z2	L/A	L/B	H		
K 35/1200 T	600	273	100	110	212	14	385	160	225	80	200	160	80	65	185	145	65	680	330	572	0,128	100

¹ star starting is possible (A)

DAB
PUMPS SELECTOR

On-line product selection



DAB PUMPS LTD.
6 Gilberd Court
Newcomen Way
Severalls Business Park
Colchester
Essex
CO4 9WN - UK
salesuk@dwtgroup.com
Tel. +44 0333 777 5010



DAB PUMPS IBERICA S.L.
Calle Verano 18-20-22
28850 - Torrejón de Ardoz - Madrid
Spain
Info.spain@dwtgroup.com
Tel. +34 91 6569545
Fax: + 34 91 6569676



DAB PUMPS SOUTH AFRICA (PTY) LTD
Twenty One Industrial Estate,
16 Purlin Street, Unit B, Warehouse 4
Olifantsfontein - 1666 - South Africa
info.sa@dwtgroup.com
Tel. +27 12 361 3997



DAB PUMPS BV
'tHofveld 6 C1
1702 Groot Bijgaarden - Belgium
info.belgium@dwtgroup.com
Tel. +32 2 4668353



DAB PUMPS HUNGARY KFT.
H-8800
Nagykanizsa, Buda Ernő u.5
Hungary
Tel. +36 93501700



DAB PUMPS (QINGDAO) CO. LTD.
No.40 Kaituo Road, Qingdao Economic & Technological
Development Zone
Qingdao City, Shandong Province - China
PC: 266500
sales.cn@dwtgroup.com
Tel. +86 400 186 8280
Fax +86 53286812210



DAB PUMPS B.V.
Albert Einsteinweg, 4
5151 DL Drunen - Nederland
info.netherlands@dwtgroup.com
Tel. +31 416 387280
Fax +31 416 387299



DAB PUMPS POLAND Sp. z o.o.
Ul. Janka Muzykanta 60
02-188 Warszawa - Poland
polska@dabpumps.com.pl



DAB PUMPS DE MÉXICO, S.A. DE C.V.
Av Amsterdam 101 Local 4
Col. Hipódromo Condesa,
Del. Cuauhtémoc CP 06170
Ciudad de México
Tel. +52 55 6719 0493



OOO DAB PUMPS
Novgorodskaya str. 1, block G
office 308, 127247, Moscow - Russia
info.russia@dwtgroup.com
Tel. +7 495 122 0035
Fax +7 495 122 0036



DAB PUMPEN DEUTSCHLAND GmbH
Tackweg 11
D - 47918 Tönisvorst - Germany
info.germany@dwtgroup.com
Tel. +49 2151 82136-0
Fax +49 2151 82136-36



DAB PUMPS INC.
3226 Benchmark Drive
Ladson, SC 29456 - USA
info.usa@dwtgroup.com
Tel. 1- 843-797-5002
Fax 1-843-797-3366



DAB PUMPS OCEANIA PTY LTD
426 South Gippsland Hwy,
Dandenong South VIC 3175 - Australia
info.oceania@dwtgroup.com
Tel. +61 1300 378 677