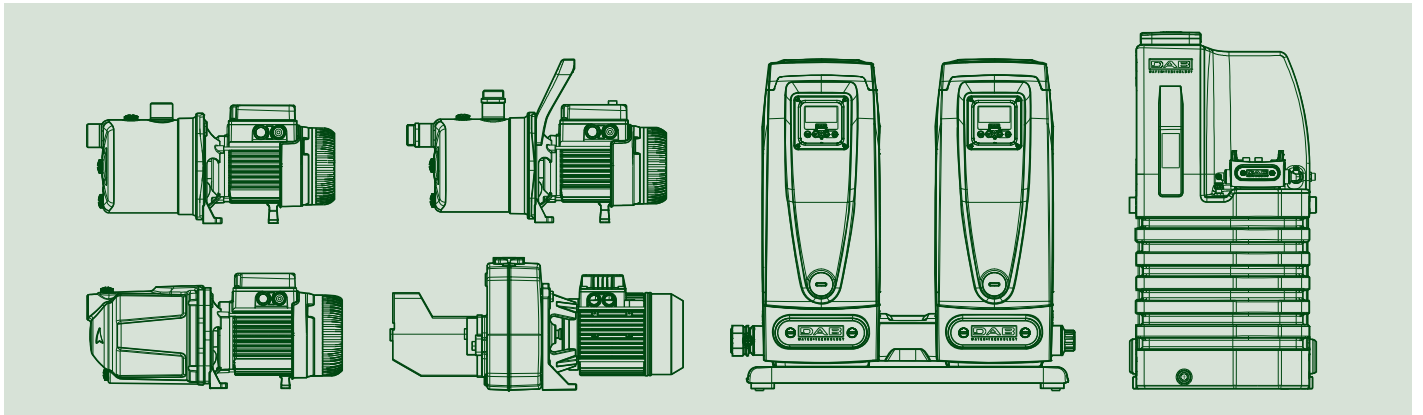


# SELF-PRIMING MULTISTAGE CENTRIFUGAL PUMPS



**TECHNICAL  
CATALOGUE**



### TECHNICAL DATA

**Operating range:**

from 10 to 120 litres/min. with head up to 72 m

**Liquid quality requirements:** clean, free from solid or abrasive contaminants, non-viscous, non-aggressive, uncrystallised and chemically neutral, close to the properties of water

**Liquid temperature range:**

for domestic use: from 0°C to +35°C (EN 60335-2-41)

for other use: from 0°C to +40°C

**Maximum ambient temperature:** +40°C

**Maximum operating pressure:** 8 bar (800 kPa)

**Installation:** fixed or portable in a horizontal position

**Motor protection rating:** IP 44

**Terminal block protection rating:** IP 55

**Insulation class:** F

**Standard input voltage:** single phase 220-240 V / 50 Hz - 2 poles  
three phase 230/400 V - 50 Hz - 2 poli

### APPLICATIONS

Multi-stage centrifugal pump with horizontal shaft, featuring extremely quiet operation suitable for domestic water supply and pressurisation, irrigation of gardens and general water movement.

### CONSTRUCTIONAL FEATURES OF THE PUMP

Pump body in 200 UNI ISO 185 cast iron. Motor support in die cast aluminium, with seal holder cover in AISI 304 stainless steel. Carbon/ceramic mechanical seal. Rotor shaft in AISI 304 stainless steel. Impeller and diffuser bodies and diffuser in technopolymer. Stainless steel wear ring.

### CONSTRUCTIONAL FEATURES OF THE MOTOR

Asynchronous, continuous service motor.

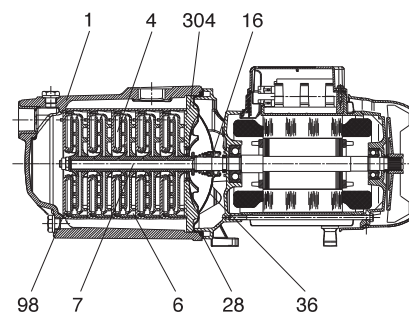
Incorporated thermo-amperometric protection and permanently inserted capacitor in the single phase version.

Overload protection to be provided by the user for the three-phase version.

### MATERIALS

| N°  | PARTS *           | MATERIALS  |
|-----|-------------------|--|
| 1   | PUMP BODY         | 200 UNI ISO 185 CAST IRON                        |
| 4   | IMPELLER          | TECHNOPOLYMER                                    |
| 6   | DIFFUSER          | TECHNOPOLYMER                                    |
| 7   | SHAFT WITH ROTOR  | AISI 304 STAINLESS STEEL X5CrNi 1810 UNI 6900/71 |
| 16  | MECHANICAL SEAL   | CARBON/CERAMIC                                   |
| 28  | OR GASKET         | NBR  |
| 36  | SEAL HOLDER COVER | AISI 304 STAINLESS STEEL X5CrNi 1810 UNI 6900/71 |
| 98  | DIFFUSER BODY     | TECHNOPOLYMER                                    |
| 304 | REAR DISC         | TECHNOPOLYMER                                    |

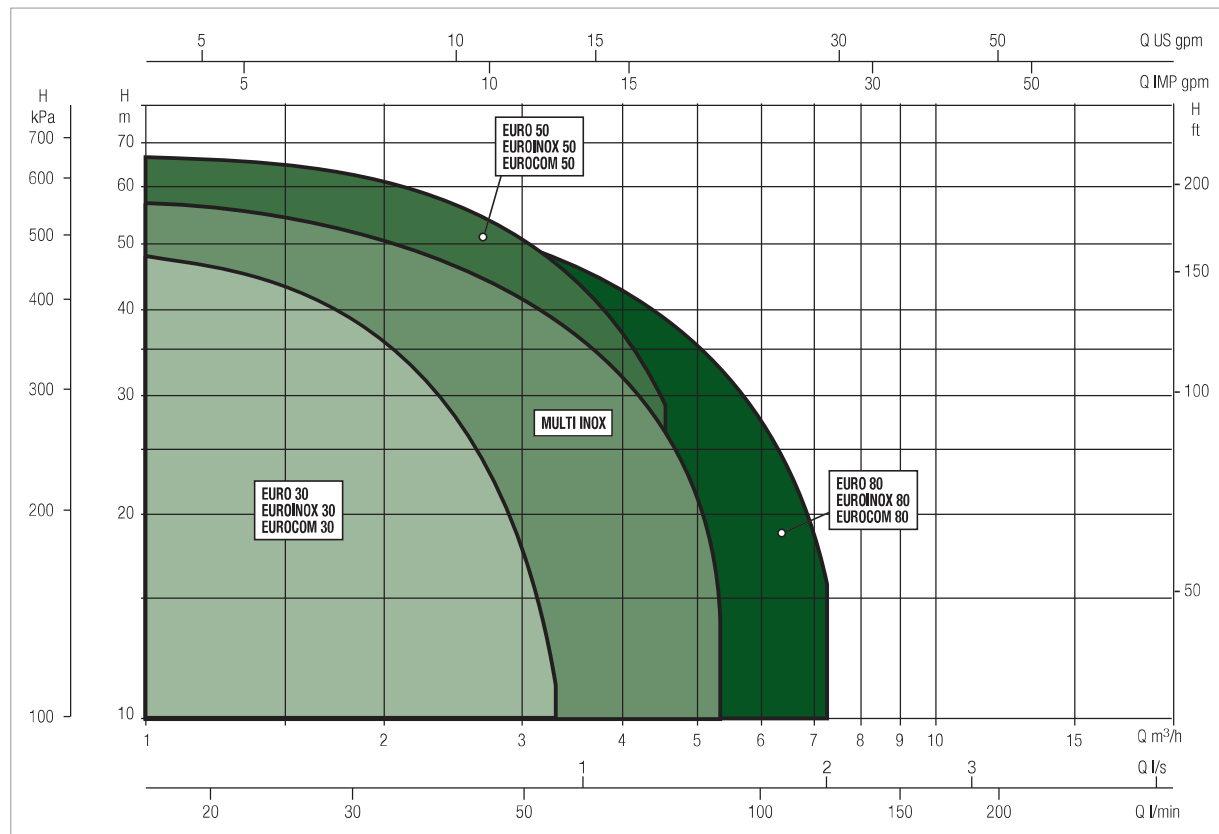
\* In contact with liquid



### PERFORMANCE RANGE

The performance curves are based on kinematic viscosity values = 1 mm<sup>2</sup>/s and density equivalent to 1000 kg/m<sup>3</sup>. Curve tolerance according to ISO 9906.

### GRAPHIC SELECTION TABLE

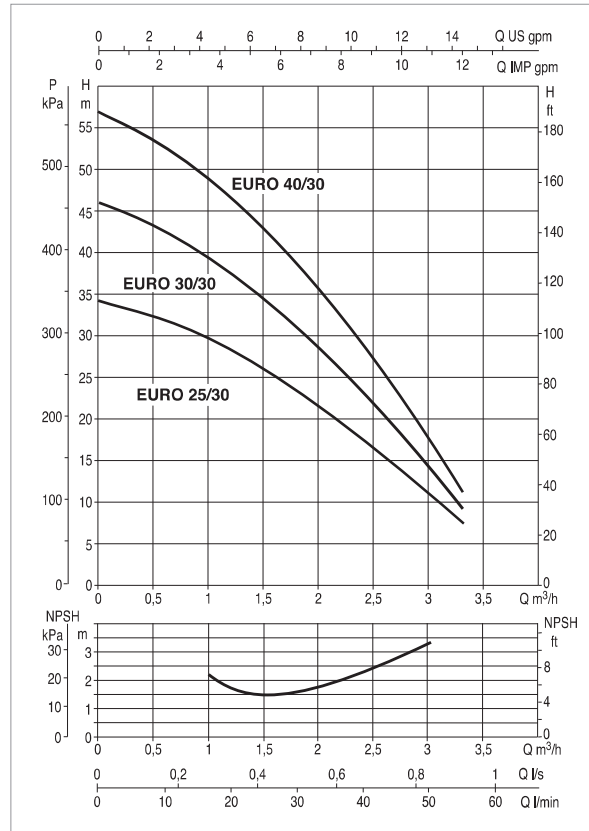
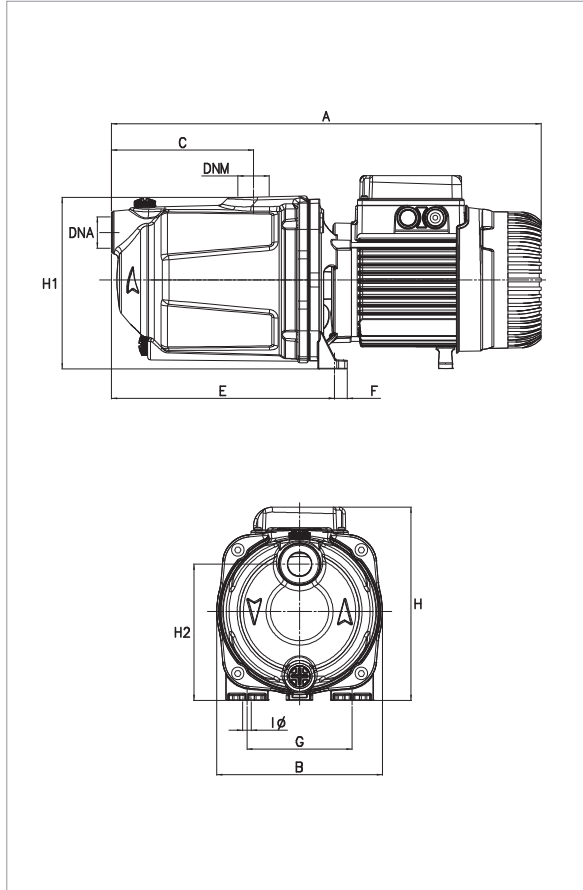


### EURO SELECTION TABLE

| MODEL        | Q=m <sup>3</sup> /h | 0    | 0,6  | 1,2  | 1,8  | 2,4  | 3,0  | 3,6  | 4,2  | 4,8 | 6    | 7,2  |
|--------------|---------------------|------|------|------|------|------|------|------|------|-----|------|------|
|              | Q=l/min             | 0    | 10   | 20   | 30   | 40   | 50   | 60   | 70   | 80  | 100  | 120  |
| EURO 25/30 M | H<br>(m)            | 34,4 | 31,7 | 28,3 | 23,5 | 17,5 | 11   |      |      |     |      |      |
| EURO 30/30 M |                     | 46   | 42,2 | 37,8 | 31,2 | 23,3 | 14,3 |      |      |     |      |      |
| EURO 40/30 M |                     | 57   | 52,7 | 47   | 38,8 | 29   | 17,7 |      |      |     |      |      |
| EURO 30/50 M |                     | 42,5 | 40,2 | 38,2 | 36,2 | 33,8 | 30   | 24,8 | 19,5 | 14  |      |      |
| EURO 40/50 M |                     | 57,5 | 55,3 | 52,8 | 50,1 | 47,1 | 42,7 | 35,8 | 28   | 19  |      |      |
| EURO 40/50 T |                     | 57,5 | 55,3 | 52,8 | 50,1 | 47,1 | 42,7 | 35,8 | 28   | 19  |      |      |
| EURO 50/50 M |                     | 72   | 68,5 | 65,5 | 62,1 | 58,2 | 52,2 | 43,6 | 34,5 | 26  |      |      |
| EURO 50/50 T |                     | 72   | 68,5 | 65,5 | 62,1 | 58,2 | 52,2 | 43,6 | 34,5 | 26  |      |      |
| EURO 30/80 M |                     | 47   |      | 46,5 | 45   | 43,5 | 41   | 38   | 34,5 | 31  | 23   | 12   |
| EURO 30/80 T |                     | 47   |      | 46,5 | 45   | 43,5 | 41   | 38   | 34,5 | 31  | 23   | 12   |
| EURO 40/80 M |                     | 59   |      | 57   | 56   | 54   | 51   | 47   | 43,5 | 39  | 29,5 | 16,5 |
| EURO 40/80 T |                     | 59   |      | 57   | 56   | 54   | 51   | 47   | 43,5 | 39  | 29,5 | 16,5 |

# EURO 30 - SELF-PRIMING CENTRIFUGAL PUMPS

Liquid temperature range pumped: from 0 °C to +35 °C - Maximum ambient temperature: +40°C



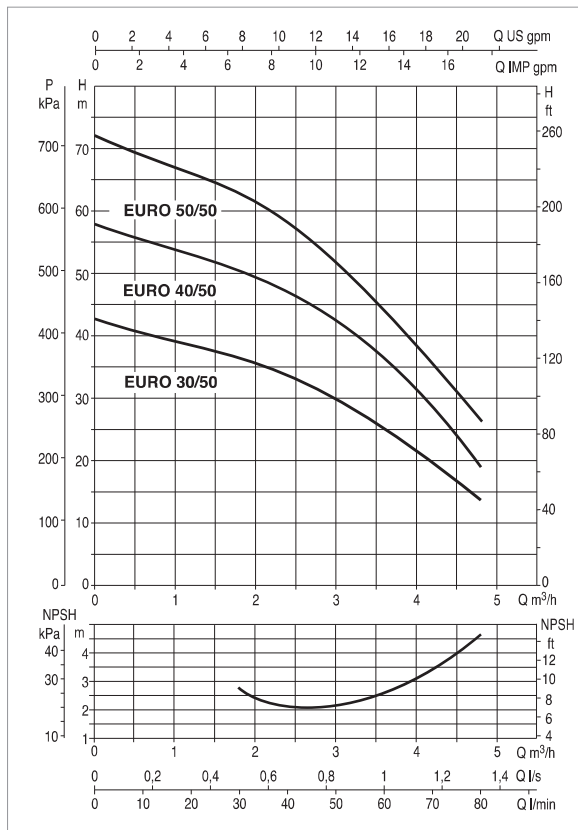
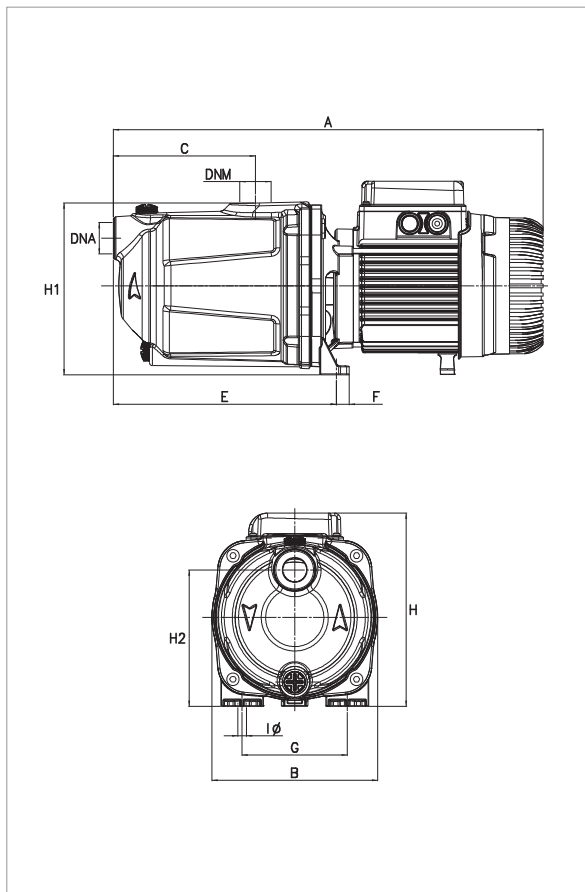
The performance curves are based on the kinematic viscosity values = 1 mm<sup>2</sup>/s and density equivalent to 1000 kg/m<sup>3</sup>. Curve tolerance according to ISO 9906.

| MODEL        | ELECTRICAL DATA |                    |           |            |      |      |           |     |
|--------------|-----------------|--------------------|-----------|------------|------|------|-----------|-----|
|              | N° IMPELLER     | POWER SUPPLY 50 Hz | P1 MAX KW | P2 NOMINAL |      | In A | CAPACITOR |     |
|              |                 |                    |           | kW         | HP   |      | μF        | Vc  |
| EURO 25/30 M | 3               | 1x220-240 V ~      | 0,52      | 0,37       | 0,5  | 2,4  | 10        | 450 |
| EURO 30/30 M | 4               | 1x220-240 V ~      | 0,83      | 0,45       | 0,6  | 3,9  | 12,5      | 450 |
| EURO 40/30 M | 5               | 1x220-240 V ~      | 0,88      | 0,55       | 0,75 | 3,9  | 12,5      | 450 |

| MODEL        | A   | B   | C     | E   | F    | G   | I Ø | H   | H1  | H2    | DNA GAS | DNM GAS | PACKING DIMENSIONS |     |     | VOLUME (mc) | GROSS WEIGHT Kg |
|--------------|-----|-----|-------|-----|------|-----|-----|-----|-----|-------|---------|---------|--------------------|-----|-----|-------------|-----------------|
|              |     |     |       |     |      |     |     |     |     |       |         |         | L/A                | L/B | H   |             |                 |
| EURO 25/30 M | 378 | 175 | 94,5  | 180 | 13,5 | 111 | 9   | 194 | 179 | 143,5 | 1"      | 1"      | 440                | 206 | 245 | 0,025       | 10,7            |
| EURO 30/30 M | 433 | 175 | 149,5 | 235 | 13,5 | 111 | 9   | 194 | 179 | 143,5 | 1"      | 1"      | 480                | 212 | 265 | 0,031       | 12,7            |
| EURO 40/30 M | 433 | 175 | 149,5 | 235 | 13,5 | 111 | 9   | 194 | 179 | 143,5 | 1"      | 1"      | 480                | 212 | 265 | 0,031       | 12,8            |

## EURO 50 - SELF-PRIMING CENTRIFUGAL PUMPS

Liquid temperature range pumped: from 0 °C to +35 °C - Maximum ambient temperature: +40°C



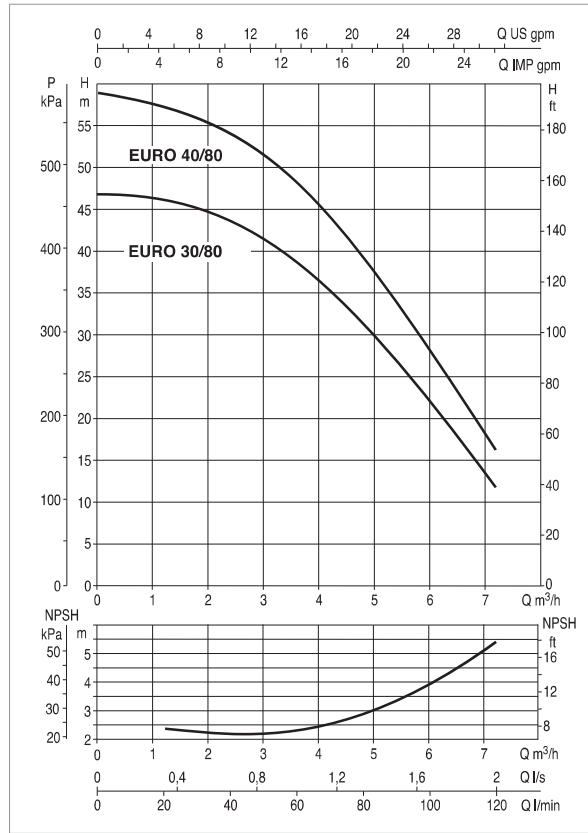
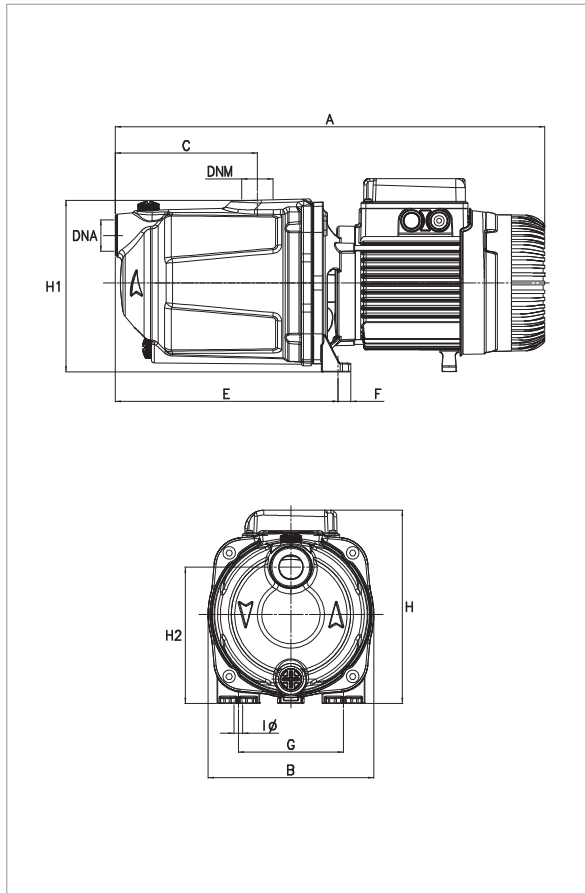
The performance curves are based on the kinematic viscosity values = 1 mm<sup>2</sup>/s and density equivalent to 1000 kg/m<sup>3</sup>. Curve tolerance according to ISO 9906.

| MODEL        | ELECTRICAL DATA |                    |            |           |            |      |         |           |     |
|--------------|-----------------|--------------------|------------|-----------|------------|------|---------|-----------|-----|
|              | N° IMPELLER     | POWER SUPPLY 50 Hz | MOTOR TYPE | P1 MAX KW | P2 NOMINAL |      | In A    | CAPACITOR |     |
|              |                 |                    |            |           | kW         | HP   |         | µF        | Vc  |
| EURO 30/50 M | 3               | 1x220-240 V ~      | -          | 0,88      | 0,55       | 0,75 | 3,9     | 12,5      | 450 |
| EURO 40/50 M | 4               | 1x220-240 V ~      | -          | 1,2       | 0,75       | 1    | 5,3     | 25        | 450 |
| EURO 40/50 T | 4               | 3x230-400 V ~      | IE3        | 1,07      | 0,75       | 1    | 3,6/2,1 | -         | -   |
| EURO 40/50 T | 4               | 3x230-400 V ~      | IE2        | 1,18      | 0,75       | 1    | 3,8/2,2 | -         | -   |
| EURO 50/50 M | 5               | 1x220-240 V ~      | -          | 1,48      | 1          | 1,36 | 6,3     | 25        | 450 |
| EURO 50/50 T | 5               | 3x230-400 V ~      | IE3        | 1,3       | 1          | 1,36 | 4,1/2,4 | -         | -   |
| EURO 50/50 T | 5               | 3x230-400 V ~      | IE2        | 1,44      | 1          | 1,36 | 4,4/2,5 | -         | -   |

| MODEL        | A   | B   | C     | E   | F    | G   | I Ø | H   | H1  | H2    | DNA GAS | DNM GAS | PACKING DIMENSIONS |     |     | VOLUME (mc) | GROSS WEIGHT Kg |
|--------------|-----|-----|-------|-----|------|-----|-----|-----|-----|-------|---------|---------|--------------------|-----|-----|-------------|-----------------|
|              |     |     |       |     |      |     |     |     |     |       |         |         | L/A                | L/B | H   |             |                 |
| EURO 30/50 M | 378 | 175 | 94,5  | 180 | 13,5 | 111 | 9   | 194 | 179 | 143,5 | 1"      | 1"      | 440                | 206 | 245 | 0,025       | 11,7            |
| EURO 40/50 M | 452 | 175 | 149,5 | 235 | 13,5 | 111 | 9   | 204 | 179 | 143,5 | 1"      | 1"      | 480                | 212 | 265 | 0,031       | 15,6            |
| EURO 40/50 T | 468 | 175 | 149,5 | 235 | 13,5 | 111 | 9   | 204 | 179 | 143,5 | 1"      | 1"      | 560                | 240 | 227 | 0,031       | 15,6            |
| EURO 50/50 M | 452 | 175 | 149,5 | 235 | 13,5 | 111 | 9   | 204 | 179 | 143,5 | 1"      | 1"      | 480                | 212 | 265 | 0,031       | 16,2            |
| EURO 50/50 T | 468 | 175 | 149,5 | 235 | 13,5 | 111 | 9   | 204 | 179 | 143,5 | 1"      | 1"      | 560                | 240 | 227 | 0,031       | 16,2            |

# EURO 80 - SELF-PRIMING CENTRIFUGAL PUMPS

Liquid temperature range pumped: from 0 °C to +35 °C - Maximum ambient temperature: +40°C



| MODEL        | ELECTRICAL DATA |                    |            |           |            |      |         |           |     |
|--------------|-----------------|--------------------|------------|-----------|------------|------|---------|-----------|-----|
|              | N° IMPELLER     | POWER SUPPLY 50 Hz | MOTOR TYPE | P1 MAX KW | P2 NOMINAL |      | In A    | CAPACITOR |     |
|              |                 |                    |            |           | kW         | HP   |         | µF        | Vc  |
| EURO 30/80 M | 4               | 1x220-240 V ~      | -          | 1,2       | 0,8        | 1,1  | 5,2     | 25        | 450 |
| EURO 30/80 T | 4               | 3x230-400 V ~      | IE3        | 1,06      | 0,8        | 1,1  | 3,6/2,1 | -         | -   |
| EURO 30/80 T | 4               | 3x230-400 V ~      | IE2        | 1,88      | 0,8        | 1,1  | 3,8/2,2 | -         | -   |
| EURO 40/80 M | 5               | 1x220-240 V ~      | -          | 1,48      | 1          | 1,36 | 6,3     | 25        | 450 |
| EURO 40/80 T | 5               | 3x230-400 V ~      | IE3        | 1,3       | 1          | 1,36 | 4,1/2,4 | -         | -   |
| EURO 40/80 T | 5               | 3x230-400 V ~      | IE2        | 1,44      | 1          | 1,36 | 4,4/2,5 | -         | -   |

| MODEL        | A   | B   | C     | E   | F    | G   | I Ø | H   | H1  | H2    | DNA GAS | DNM GAS | PACKING DIMENSIONS |     |     | VOLUME (mc) | GROSS WEIGHT Kg |
|--------------|-----|-----|-------|-----|------|-----|-----|-----|-----|-------|---------|---------|--------------------|-----|-----|-------------|-----------------|
|              |     |     |       |     |      |     |     |     |     |       |         |         | L/A                | L/B | H   |             |                 |
|              |     |     |       |     |      |     |     |     |     |       |         |         |                    |     |     |             |                 |
| EURO 30/80 M | 452 | 175 | 149,5 | 235 | 13,5 | 111 | 9   | 204 | 179 | 143,5 | 1"      | 1"      | 440                | 212 | 265 | 0,031       | 15,6            |
| EURO 30/80 T | 468 | 175 | 149,5 | 235 | 13,5 | 111 | 9   | 204 | 179 | 143,5 | 1"      | 1"      | 560                | 240 | 227 | 0,031       | 15,6            |
| EURO 40/80 M | 452 | 175 | 149,5 | 235 | 13,5 | 111 | 9   | 204 | 179 | 143,5 | 1"      | 1"      | 480                | 212 | 265 | 0,031       | 16,2            |
| EURO 40/80 T | 468 | 175 | 149,5 | 235 | 13,5 | 111 | 9   | 204 | 179 | 143,5 | 1"      | 1"      | 560                | 240 | 227 | 0,031       | 16,2            |

**DAB**  
PUMPS SELECTOR

On-line product selection



**DAB PUMPS LTD.**  
6 Gilberd Court  
Newcomen Way  
Severalls Business Park  
Colchester  
Essex  
CO4 9WN - UK  
salesuk@dwgroup.com  
Tel. +44 0333 777 5010



**DAB PUMPS IBERICA S.L.**  
Calle Verano 18-20-22  
28850 - Torrejón de Ardoz - Madrid  
Spain  
Info.spain@dwgroup.com  
Tel. +34 91 6569545  
Fax: + 34 91 6569676



**DAB PUMPS SOUTH AFRICA (PTY) LTD**  
Twenty One Industrial Estate,  
16 Purlin Street, Unit B, Warehouse 4  
Ollifantsfontein - 1666 - South Africa  
info.sa@dwgroup.com  
Tel. +27 12 361 3997



**DAB PUMPS BV**  
"Hofveld 6 C1  
1702 Groot Bijgaarden - Belgium  
info.belgium@dwgroup.com  
Tel. +32 2 4668353



**DAB PUMPS HUNGARY KFT.**  
H-8800  
Nagykanizsa, Buda Ernő u.5  
Hungary  
Tel. +36 93501700



**DAB PUMPS (QINGDAO) CO, LTD.**  
No.40 Kaituo Road, Qingdao Economic & Technological  
Development Zone  
Qingdao City, Shandong Province - China  
PC: 266500  
sales.cn@dwgroup.com  
Tel. +86 400 186 8280  
Fax +86 53286812210



**DAB PUMPS B.V.**  
Albert Einsteinweg, 4  
5151 DL Drunen - Nederland  
info.netherlands@dwgroup.com  
Tel. +31 416 387280  
Fax +31 416 387299



**DAB PUMPS POLAND Sp. z o.o.**  
Ul. Janka Muzykanta 60  
02-188 Warszawa - Poland  
polska@dabpumps.com.pl



**DAB PUMPS DE MÉXICO, S.A. DE C.V.**  
Av Amsterdam 101 Local 4  
Col. Hipódromo Condesa,  
Del. Cuauhtémoc CP 06170  
Ciudad de México  
Tel. +52 55 6719 0493



**DAB PUMPS GMBH**  
Am Nordpark 3  
D - 41069 Mönchengladbach - Germany  
info.germany@dwgroup.com  
Tel. +49 2161 47388-0  
Fax +49 2161 47388-36



**OOO DAB PUMPS**  
Novgorodskaya str. 1, block G  
office 308, 127247, Moscow - Russia  
info.russia@dwgroup.com  
Tel. +7 495 122 0035  
Fax +7 495 122 0036



**DAB PUMPS OCEANIA PTY LTD**  
426 South Gippsland Hwy,  
Dandenong South VIC 3175 - Australia  
info.oceania@dwgroup.com  
Tel. +61 1300 373 677



**DAB PUMPS INC.**  
3226 Benchmark Drive  
Ladson, SC 29456 - USA  
info.usa@dwgroup.com  
Tel. 1- 843-797-5002  
Fax 1-843-797-3366



**PT DAB PUMPS INDONESIA**  
Satrio Tower lantai 26  
unit C-D, Jl. Prof. Dr. Satrio Kav. C4,  
Kel. Kuningan Timur, Kec. Setiabudi, Kota Adm.  
Jakarta Selatan, Prov. DKI Jakarta. - Indonesia  
Tel. +62 2129222850