

Receiver
From

 Society
 Reference
 Address
 Phone
 Fax
 E-mail

Item n° :

60179374

Model :

K 40/200 T IE3

Pump data

 MEI \geq 0,70

Pressure rating : 0,8 MPa

Min. fluid temperature : -10 °C

Max. fluid temperature : 50 °C

Max. Ambient temperature : 40 °C

Requested data

Flow :

Head :

Fluid : Water

Fluid Temperature : 20 °C

 Density : 998,3 kg/m³

 Kinematic viscosity : 1,005 mm²/s

Vapor pressure : 0,00 MPa

Hydraulic data (duty point)

Flow :

Head :

NPSH :

 Shaft power P₂ :

Efficiency :

Materials

Pump body Cast iron 200 UNI ISO 185

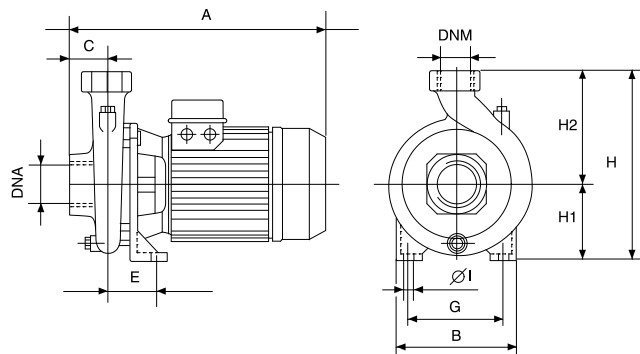
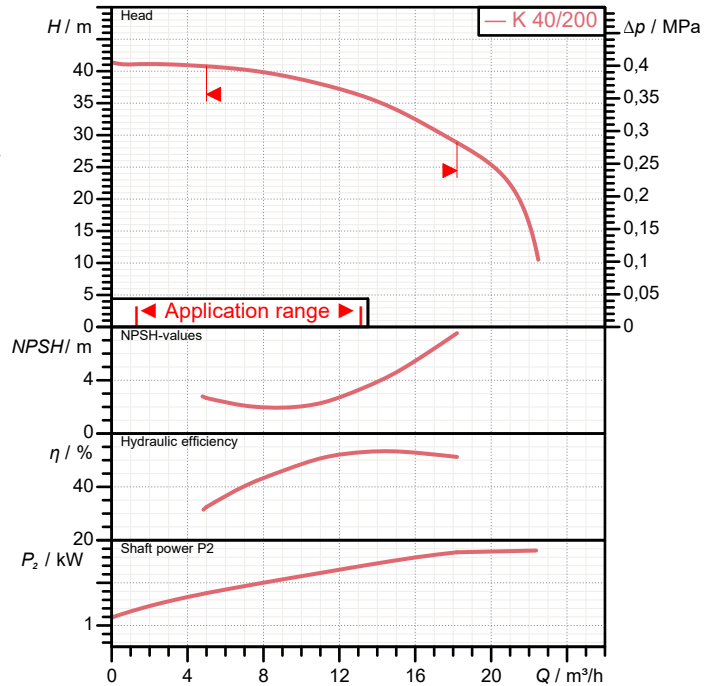
Support Cast iron 200 UNI ISO 185

Impeller Technopolymer A

Mechanical seal Carbon/Ceramic

OR ring EPDM Rubber

Shaft with rotor AISI 303 X10 CrNiS 1809 UNI 6900/71

Curve tolerance according to ISO 9906

Weight : 34,9 kg

Motor data

Motor brand : DAB

 Nominal power P₂ : 3 kW

Rated speed : 2.830 1/min

Rated voltage : 3~ 400 V 50 Hz

Nominal current : 6,4 A

Degree of protection : IP 55

Dimensions in mm

A	425
B	250
C	55
DNA	2" G
DNM	1" 1/4 G
E	86
G	175
H	320
H1	135
H2	185
IØ	14

Pump connection

Suction side : 2" G / 0,8 MPa

Discharge side : 1" 1/4 G / 0,8 MPa

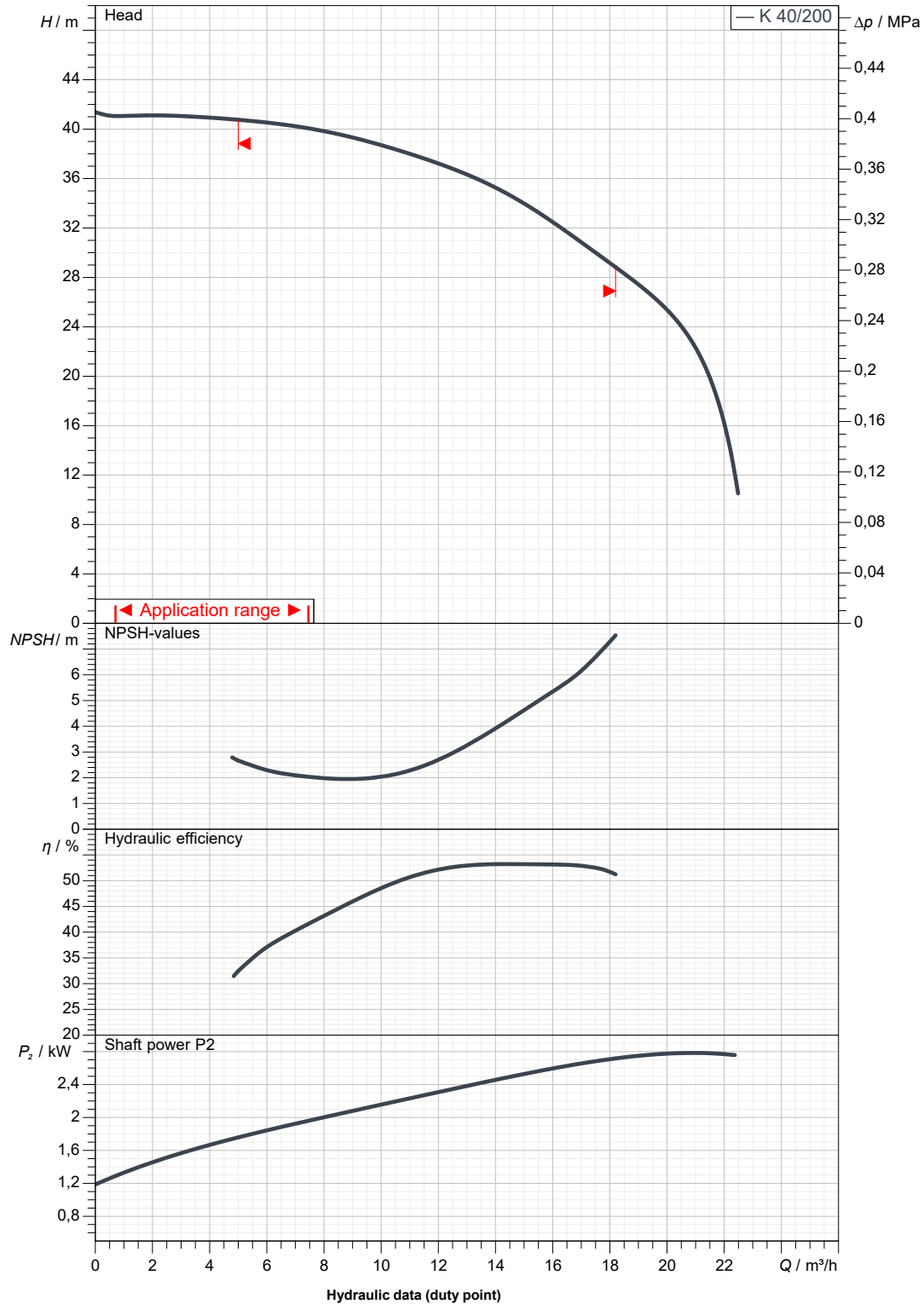
Receiver

From

 Society
 Reference
 Address
 Phone
 Fax
 E-mail

K 40/200 T IE3

Curve tolerance according to ISO 9906


 Suction side :
 2" G
 0,8 MPa

 Discharge side :
 1" 1/4 G
 0,8 MPa

Flow :

Head :

 Rated speed :
 2.830 1/min

MAIN_PROJECT_TITLE

BUSINESS_PROCESS_ID

OWNER_

ISSUE_DATE

2022-03-24



DIMENSIONAL DRAWING

2022-03-24

Page 3 / 3

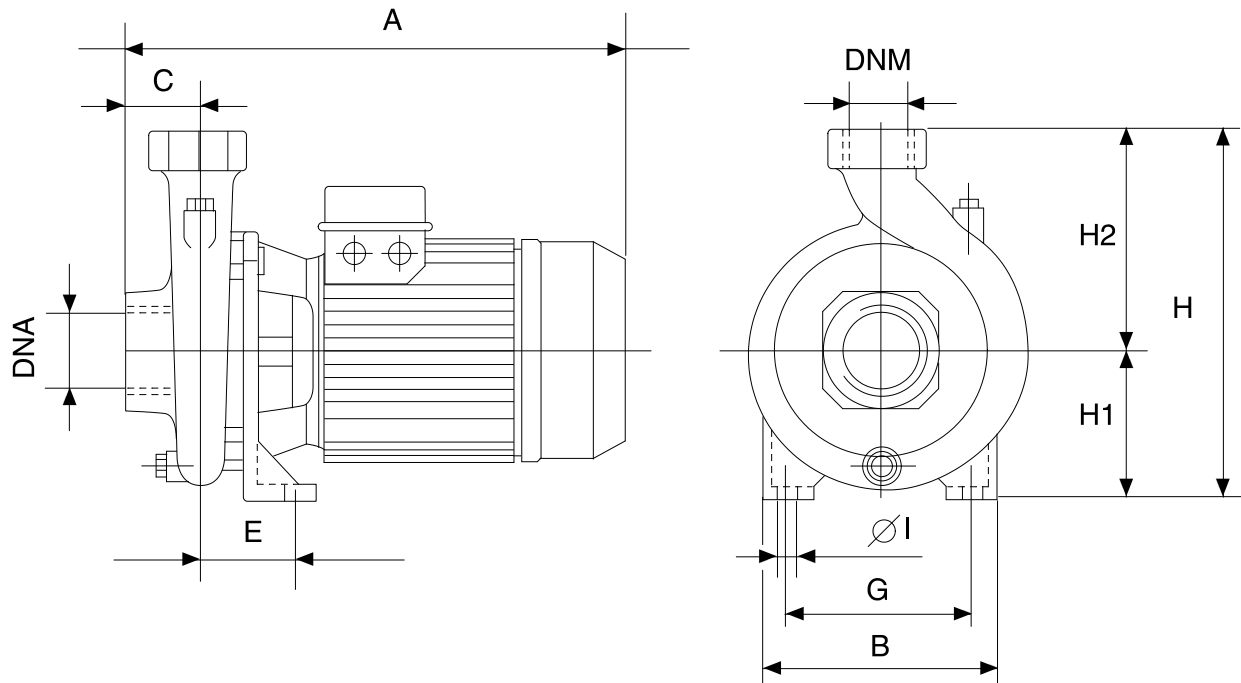
DAB PUMPS S.p.A.
Via Marco Polo, 14 - 35035 Mestrino (PD), Italy
Tel. +39 049 5125000 - Fax +39 049 5125950
www.dabpumps.com

Receiver

From

Society
Reference
Address
Phone
Fax
E-mail

K 40/200 T IE3



Dimensions in mm

Pump connection

1	A	425					
2	B	250					Suction
3	C	55					2" G
4	DNA	2" G					0,8 MPa
5	DNM	1" 1/4 G					
6	E	86					
7	G	175					Discharge
8	H	320					1" 1/4 G
9	H1	135					0,8 MPa
10	H2	185					
11	IØ	14					
12							

MAIN_PROJECT_TITLE

BUSINESS_PROCESS_ID

OWNER

ISSUE_DATE

2022-03-24