

Receiver

From

Society
Reference
Address
Phone
Fax
E-mail

Item n° :

60196309

Model :

NOVABOX 30/300.1 M 40th

Pump data

Pressure rating :

Min. fluid temperature :

Max. fluid temperature : 50 °C

Max. Ambient temperature :

Requested data

Flow :

Head :

Fluid : Water

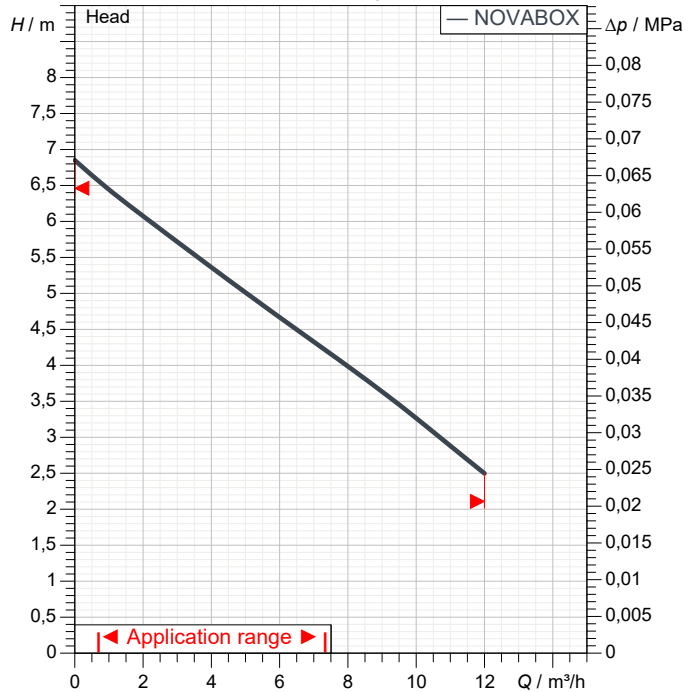
Fluid Temperature : 20 °C

Density : 998,3 kg/m³

Kinematic viscosity : 1,005 mm²/s

Vapor pressure : 0,00234 MPa

Curve tolerance according to ISO 9906



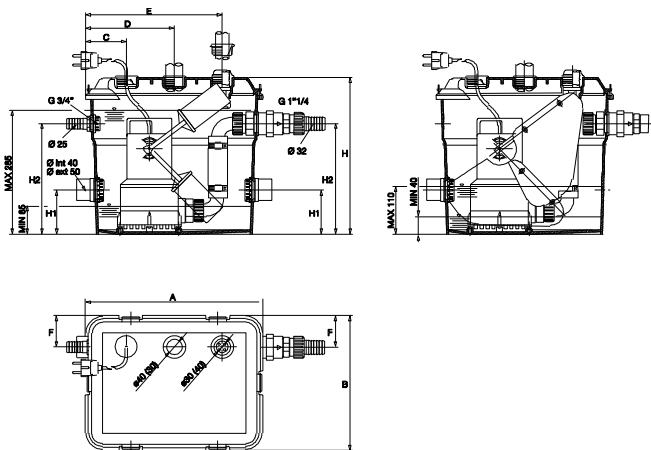
Hydraulic data (duty point)

Flow :

Head :

Materials

Tank	Technopolymer
Unions	Technopolymer
Fitting	Technopolymer
Pipe	Rubber
Non-return valve OR Gasket	EPDM
Non-return valve	Technopolymer
Impeller	Technopolymer



Motor data

Motor brand :

DAB

Nominal power P2 :

0,22 kW

Rated voltage :

1~ 230 V

50 Hz

Nominal current :

1,5 A

Number of poles :

2

Rated speed :

2.900 1/min

Degree of protection :

IP 68

Weight :

9,2 kg

Dimensions in

mm

A	407				
B	309				
C	94				
D	204				
E	314				
H	360				
H1	100				
H2	254				

Pump connection

Suction side :

/

Discharge side :

1" 1/4 G

/ --



PERFORMANCE CURVES

2022-05-0€

Page 2 / 3

DAB PUMPS S.p.A.
Via Marco Polo, 14 - 35035 Mestrino (PD), Italy
Tel. +39 049 5125000 - Fax +39 049 5125950
www.dabpumps.com

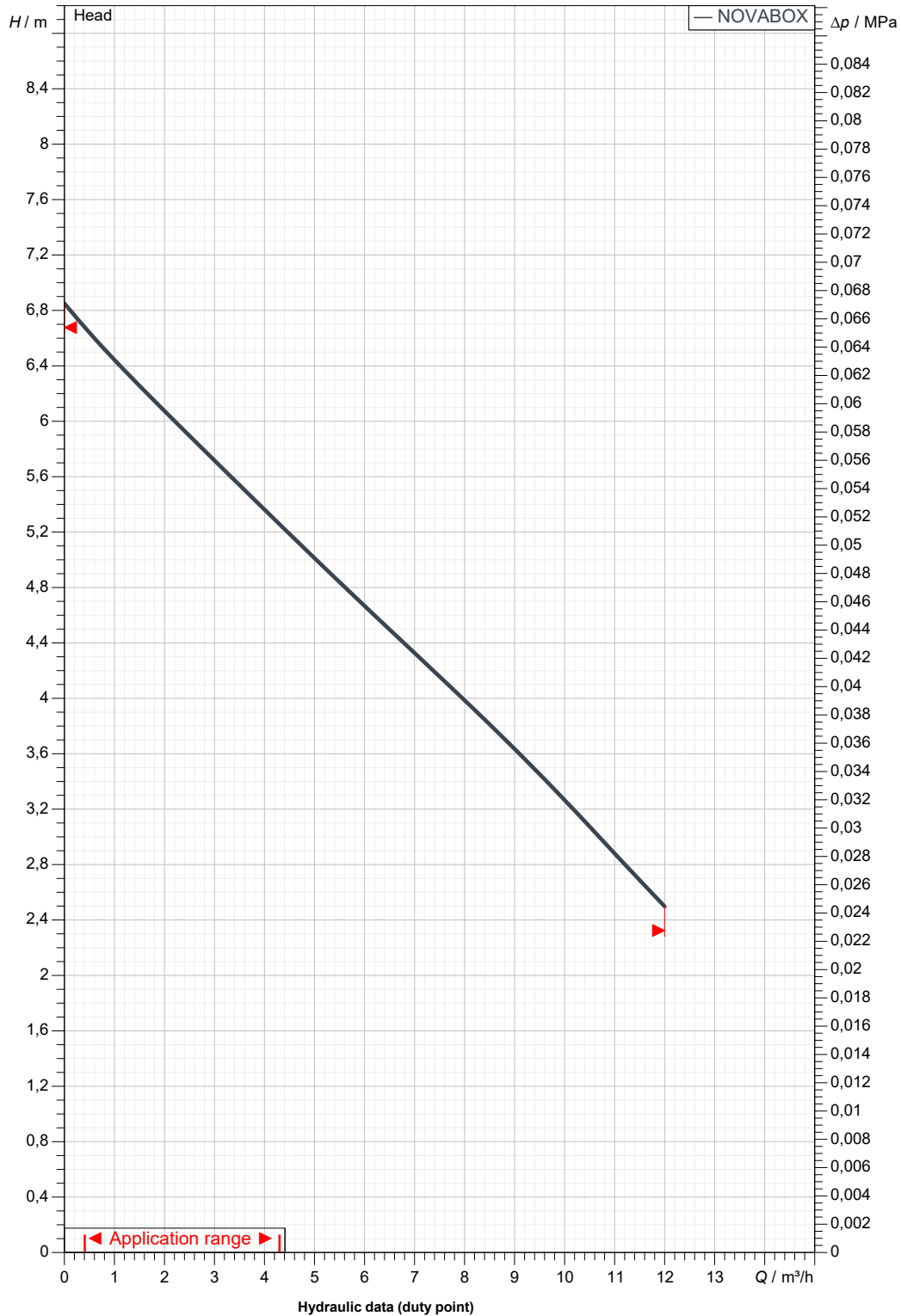
Receiver

From

Society
Reference
Address
Phone
Fax
E-mail

NOVABOX 30/300.1 M 40th

Curve tolerance according to ISO 9906



Suction side :

Discharge side :
1" 1/4 G
--

Flow :

Head :

Rated speed :
2.900 1/min

MAIN_PROJECT_TITLE

BUSINESS_PROCESS_ID

OWNER_

ISSUE_DATE

2022-05-09



DIMENSIONAL DRAWING

2022-05-0€

Page 3 / 3

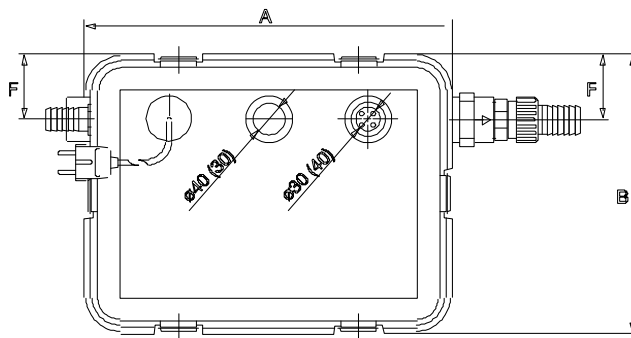
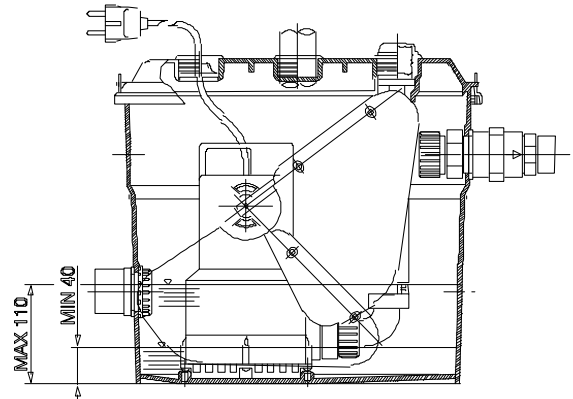
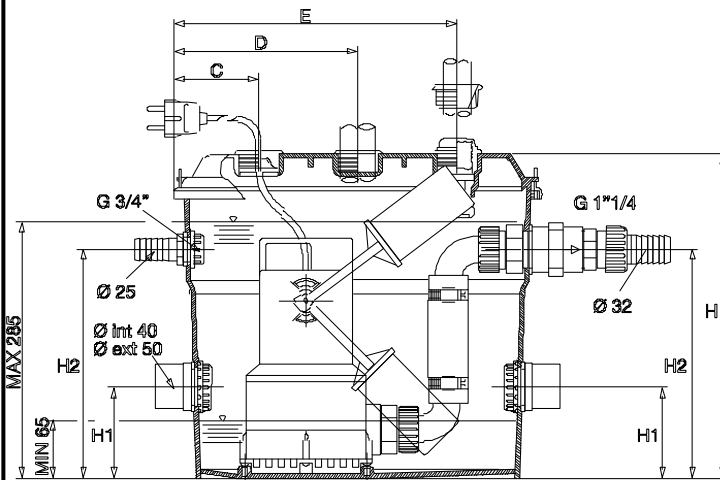
DAB PUMPS S.p.A.
Via Marco Polo, 14 - 35035 Mestrino (PD), Italy
Tel. +39 049 5125000 - Fax +39 049 5125950
www.dabpumps.com

Receiver

From

Society
Reference
Address
Phone
Fax
E-mail

NOVABOX 30/300.1 M 40th



Dimensions in mm				Pump connection	
1	A	407			Suction
2	B	309			
3	C	94			
4	D	204			
5	E	314			Discharge
6	H	360			
7	H1	100			
8	H2	254			
9					1" 1/4 G
10					--
11					
12					

MAIN_PROJECT_TITLE	BUSINESS_PROCESS_ID	OWNER	ISSUE_DATE 2022-05-09
--------------------	---------------------	-------	--------------------------