

Receiver

From

Society
Reference
Address
Phone
Fax
E-mail

Item n° :

60122636

Model :

VERTY NOVA 200 M

Pump data

Free passage : 5 mm
Pressure rating :
Min. fluid temperature : 0 °C
Max. fluid temperature : 35 °C
Max. Ambient temperature :

Requested data

Flow :
Head :
Fluid : Water
Fluid Temperature : 20 °C
Density : 998,3 kg/m³
Kinematic viscosity : 1,005 mm²/s
Vapor pressure : 0,00234 MPa

Hydraulic data (duty point)

Flow :
Head :

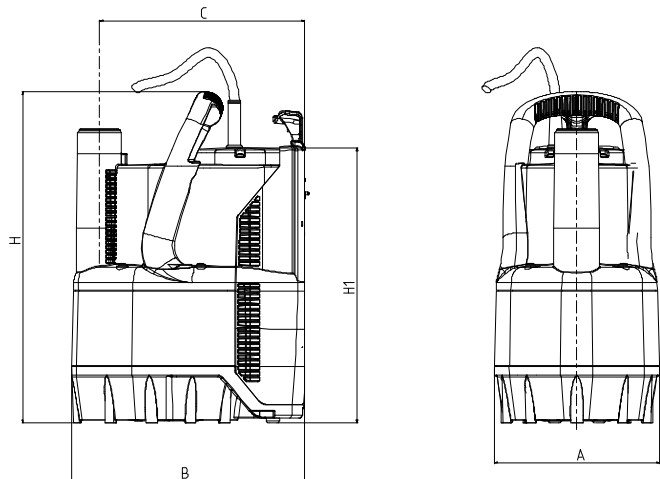
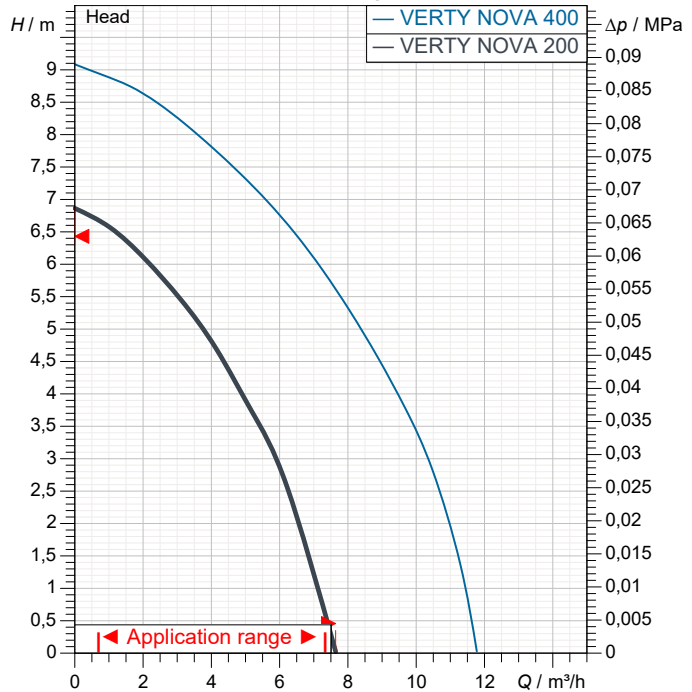
Materials

Pump body : Technopolymer
Impeller : Noryl
Motor casing : Stainless Steel AISI 304
Motor shaft : AISI 416 X12 CrS 13 UNI EN 10088-1
Float : Technopolymer
OR ring : NBR 70
Filter : Technopolymer

Motor data

Motor brand : DAB
Nominal power P2 : 0,2 kW
Rated speed : 2.800 1/min
Rated voltage : 1~ 220-240 V 50 Hz
Nominal current : 1,3 A
Degree of protection : IP X8

Curve tolerance according to ISO 9906



Weight : 4,2 kg

Dimensions in mm

A	158				
B	225				
C	200				
D	33				
H	318				
H1	265				

Pump connection

Suction side : /
Discharge side : 1" 1/4 G / --



PERFORMANCE CURVES

2022-06-30

Page 2 / 3

DAB PUMPS S.p.A.
Via Marco Polo, 14 - 35035 Mestrino (PD), Italy
Tel. +39 049 5125000 - Fax +39 049 5125950
www.dabpumps.com

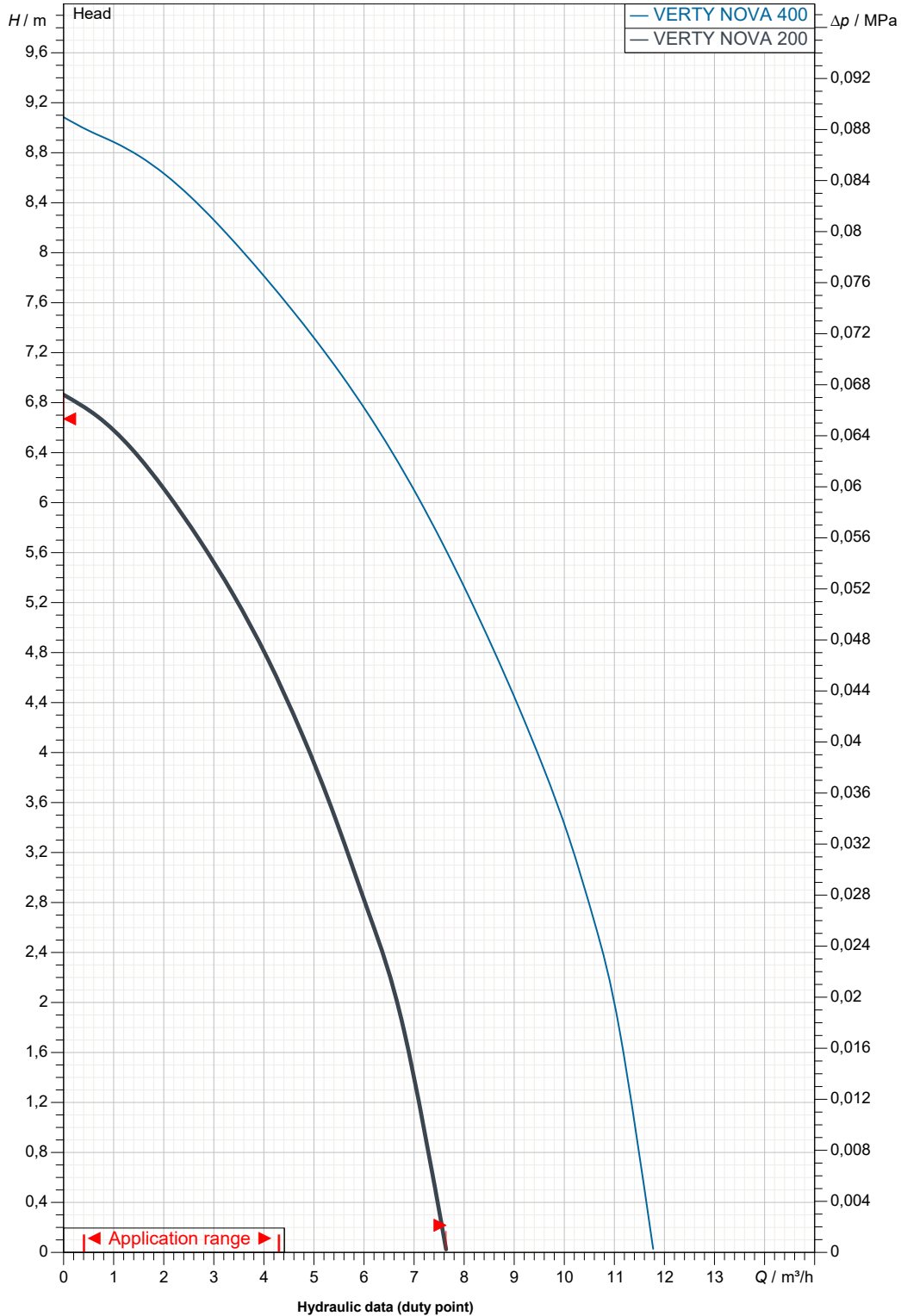
Receiver

From

Society
Reference
Address
Phone
Fax
E-mail

VERTY NOVA 200 M

Curve tolerance according to ISO 9906



Suction side :

Discharge side :
1" 1/4 G
--

Flow :

Head :

Rated speed :
2.800 1/min

MAIN_PROJECT_TITLE

BUSINESS_PROCESS_ID

OWNER_

ISSUE_DATE
2022-06-30



DIMENSIONAL DRAWING

2022-06-30

Page 3 / 3

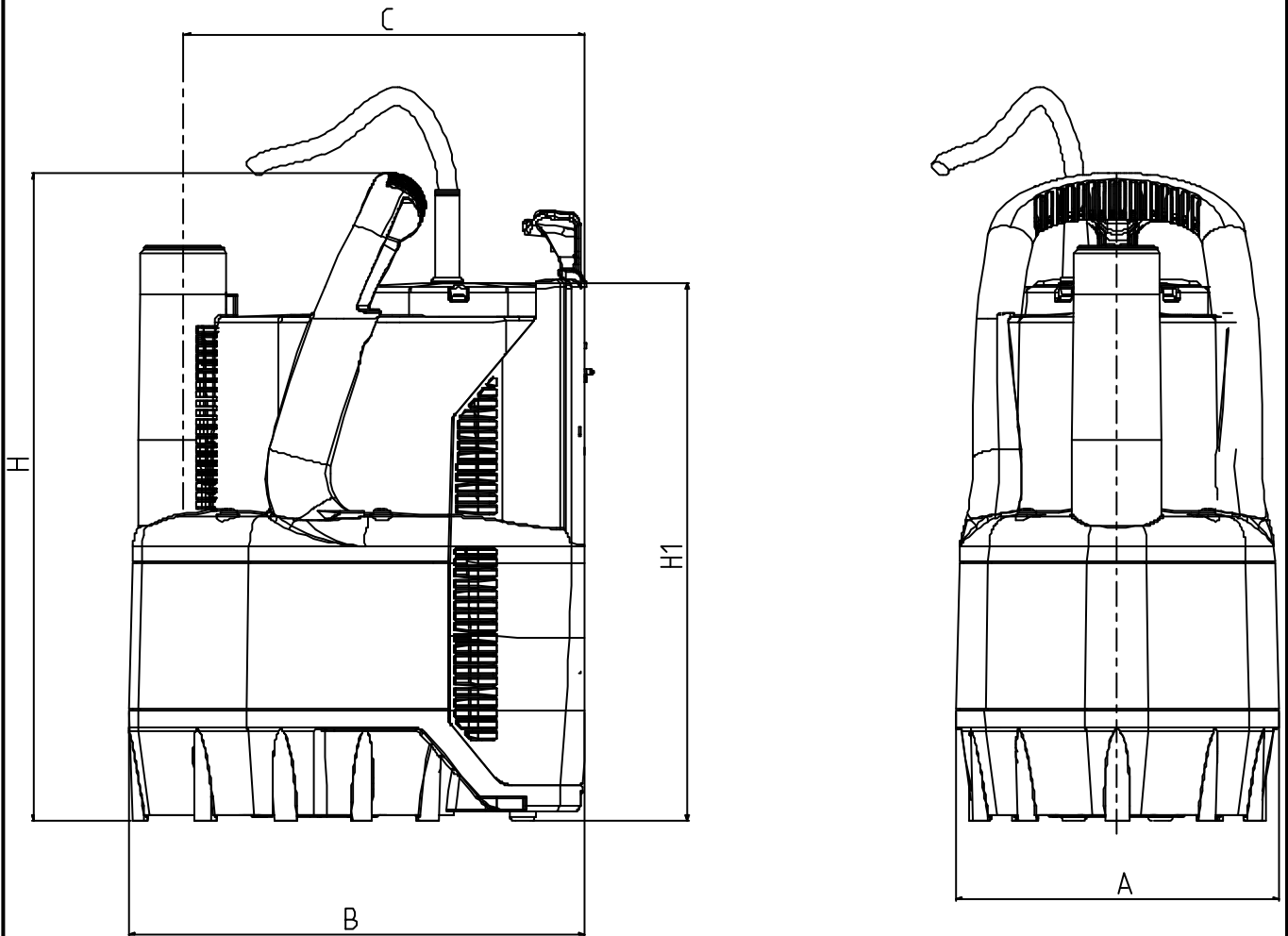
DAB PUMPS S.p.A.
Via Marco Polo, 14 - 35035 Mestrino (PD), Italy
Tel. +39 049 5125000 - Fax +39 049 5125950
www.dabpumps.com

Receiver

From

Society
Reference
Address
Phone
Fax
E-mail

VERTY NOVA 200 M



Dimensions in mm				Pump connection	
1	A	158			
2	B	225			Suction
3	C	200			
4	D	33			
5	H	318			Discharge
6	H1	265			1" 1/4 G
7					--
8					
9					
10					
11					
12					

MAIN_PROJECT_TITLE	BUSINESS_PROCESS_ID	OWNER_	ISSUE_DATE 2022-06-30
--------------------	---------------------	--------	--------------------------