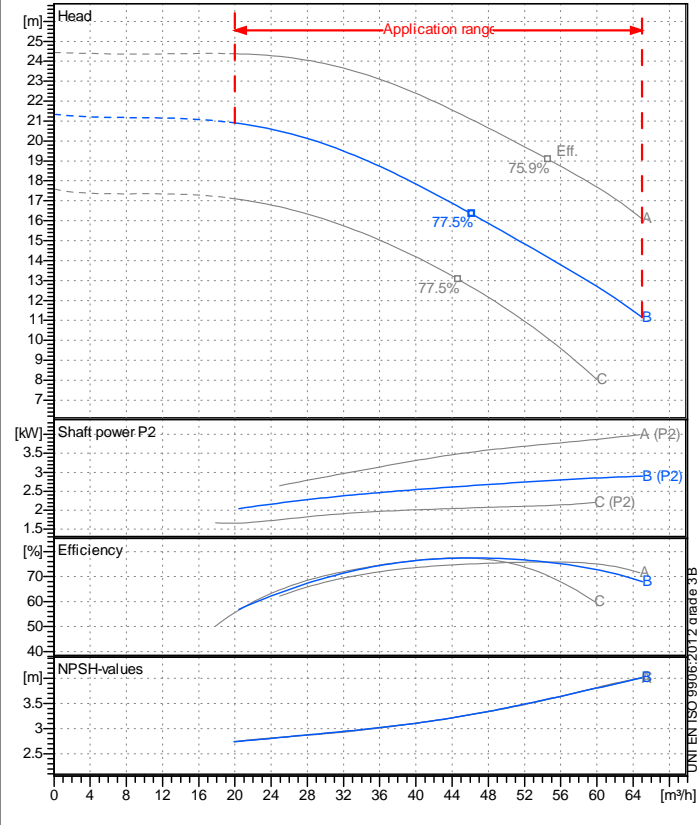


Company name	
Respons. Department	
Person in charge	
Phone number	
Fax no	
E-mail address	

Receiver	From



Operating data specification

Nominal flow	m³/h 0
Nominal head	m 0
Static head	m 0
NPSH - v value of plant	m 0
Inlet pressure	bar 0.09793
Fluid	Water, pure
Operating temperature t A	°C 20
Density at t A	kg/dm³ 0.9983
Kin. viscosity at t A	mm²/s 1.005

Pump

Pump name		IRX50-125B	
Size		65/50/125	
MEI (Reg. 547/2002 EU) >		0,6	
Speed 1/min	2900	No of stages	1
Impeller type			
Flow	Nominal	m³/h	
	Max-	m³/h 65	
	Min-	m³/h 20	
Head	Nominal	m	
	Max-	m 20.9	
	Min-	m 11.2	
Head H(Q=0)		m	21.3
NPSH 3%		m	
Max. working pressure		bar	2.09
Shaft power		kW	
Efficiency		%	
Max absorbed power		kW	2.9016

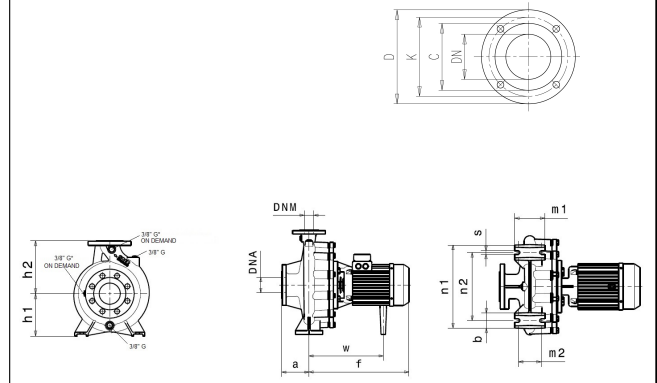
Materials Pump

Shaft	Duplex Stainless steel (1.4362)
Impeller	Precision cast Stainless steel AISI 316 (1.4408)
Pump body	Cast Stainless steel AISI 316 (1.4408)
Seal disc	Cast Stainless steel AISI 316 (1.4408)
Gasket	Natural fiber
Mechanical seal	Q1Q1VG (SiC/SiC/FPM rubber)

Dimensions in mm

a	100	DNM		DNA	
b	50	C	102	C	122
h1	132	D	165	D	185
h2	160	DN	50	DN	65
m1	100	K	125	K	145
m2	70	n°	4 x 19 mm	n°	4 x 19 mm
n1	240				
n2	190				
s	14				

Motor	Manufacturer / Type	SAER	100-2P-4
Efficiency	IEC 60034-30	IE3	
Rated power	kW 3	Efficiency 4/4	87.7 %
Number of poles	2	Frame size	100
Electric current	A 6.1 A	Speed	1/min 2898
Electric voltage	V 400 V	3~	Hz 50
Starting mode	Unknown		
Degree of protection	IP 55	Insulation class	F

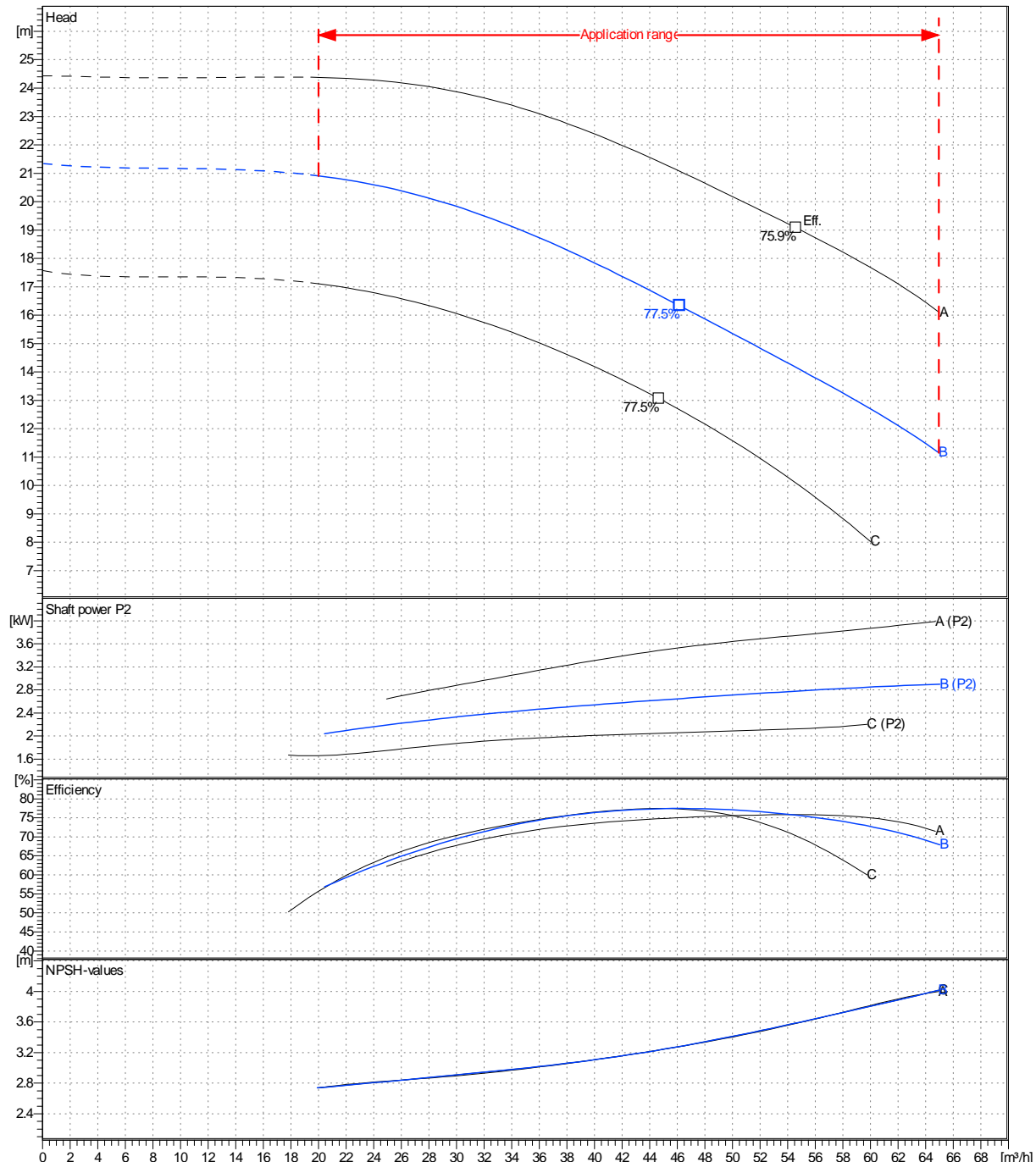


Remarks:				
Project	Project ID	Created by	Created on	Last update
			2022-07-28	

Receiver	From
Company name	
Respons. Department	
Person in charge	
Phone number	
Fax no	
E-mail address	

Operating area	Flow	Head	Impeller type
Operating data specification	0 m ³ /h	0 m	Impeller construction Sense of rotation
Pump data	m ³ /h	m	Closed Clockwise from the drive end
			Outlet width DN50
	Flow	Head	Shaft power P2
	Min. Max. η Max.	H(Q=0) η Max.	P2(Q=0) Max. η Max.
	m ³ /h m ³ /h m ³ /h	m m	kW kW kW
	20 65 46.2	21.3 16.3	2.9 2.65
			Speed 1/min 2900
			Frequency Hz 50 Hz

Performance data based to: Water, pure [100%] ; 20°C; 0.998kg/dm³; 1mm²/s UNI EN ISO 9906:2012 - Grade 3B



Project	Project ID	Created by	Created on 2022-07-28	Last update
---------	------------	------------	---------------------------------	-------------

Revision no

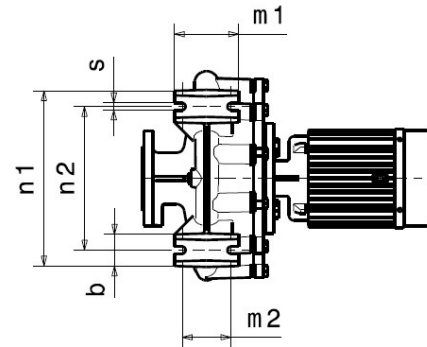
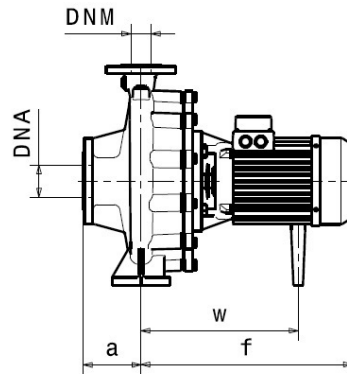
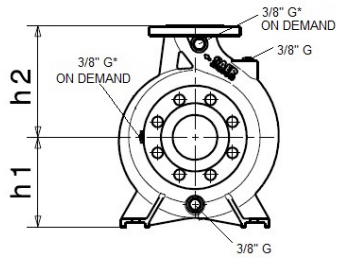
Pump dimensions

Connections

Suction side	Discharge port
DN65	DN50
PN10 / PN16	PN10 / PN16

Dimensions in mm

a	100		
b	50		
h1	132		
h2	160		
m1	100		
m2	70		
n1	240		
n2	190		
s	14		



Disegni dimensionali e immagini non vincolanti. Saer si riserva il diritto di effettuare cambiamenti senza alcun preavviso.
Dimensional drawing and picture are not binding. Saer reserves the right to make changes without prior notice.

Project

Project ID

Created by

Created on
2022-07-28

Last update