

# NS 3153 SH 3~ 272

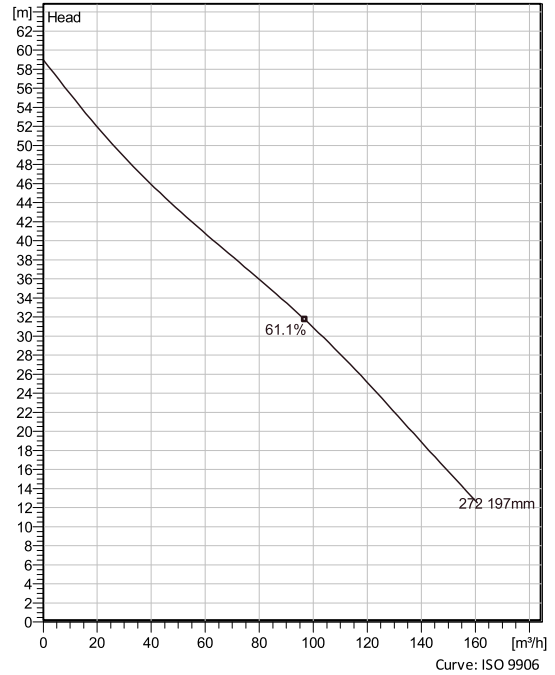
Patented self cleaning semi-open channel impeller, ideal for pumping in most waste water applications. Modular based design with high adaptation grade.



## Technical specification



Curves according to: Water, pure Water, pure [100%], 4 °C, 999.9 kg/m<sup>3</sup>, 1.5692 mm<sup>2</sup>/s



## Configuration

<b>Motor number</b> N3153.182 21-18-2BB-W 15KW	<b>Installation type</b> S - Portable Semi permanent, Wet
<b>Impeller diameter</b> 197 mm	<b>Discharge diameter</b> 80 mm

## Pump information

<b>Impeller diameter</b> 197 mm
<b>Discharge diameter</b> 80 mm
<b>Inlet diameter</b> 150 mm
<b>Maximum operating speed</b> 2915 rpm
<b>Number of blades</b> 2
<b>Max. fluid temperature</b> 40 °C

## Materials

<b>Impeller</b> Grey cast iron
-----------------------------------

<b>Project</b>	<b>Created by</b> Vilma Razumaite
<b>Block</b>	<b>Created on</b> 3/29/2022 <b>Last update</b> 3/29/2022

# NS 3153 SH 3~ 272

## Technical specification



### Motor - General

<b>Motor number</b> N3153.182 21-18-2BB-W 15KW	<b>Phases</b> 3~	<b>Rated speed</b> 2915 rpm	<b>Rated power</b> 15 kW
<b>Approval</b> No	<b>Number of poles</b> 2	<b>Rated current</b> 27 A	<b>Stator variant</b> 2
<b>Frequency</b> 50 Hz	<b>Rated voltage</b> 400 V	<b>Insulation class</b> H	<b>Type of Duty</b> S1
<b>Version code</b> 182			

### Motor - Technical

<b>Power factor - 1/1 Load</b> 0.88	<b>Motor efficiency - 1/1 Load</b> 90.3 %	<b>Total moment of inertia</b> 0.0348 kg m <sup>2</sup>	<b>Starts per hour max.</b> 30
<b>Power factor - 3/4 Load</b> 0.84	<b>Motor efficiency - 3/4 Load</b> 91.2 %	<b>Starting current, direct starting</b> 215 A	
<b>Power factor - 1/2 Load</b> 0.74	<b>Motor efficiency - 1/2 Load</b> 91.0 %	<b>Starting current, star-delta</b> 71.6 A	

**Project**  
**Block**

**Created by** Vilma Razumaite  
**Created on** 3/29/2022 **Last update** 3/29/2022

# NS 3153 SH 3~ 272

## Performance curve

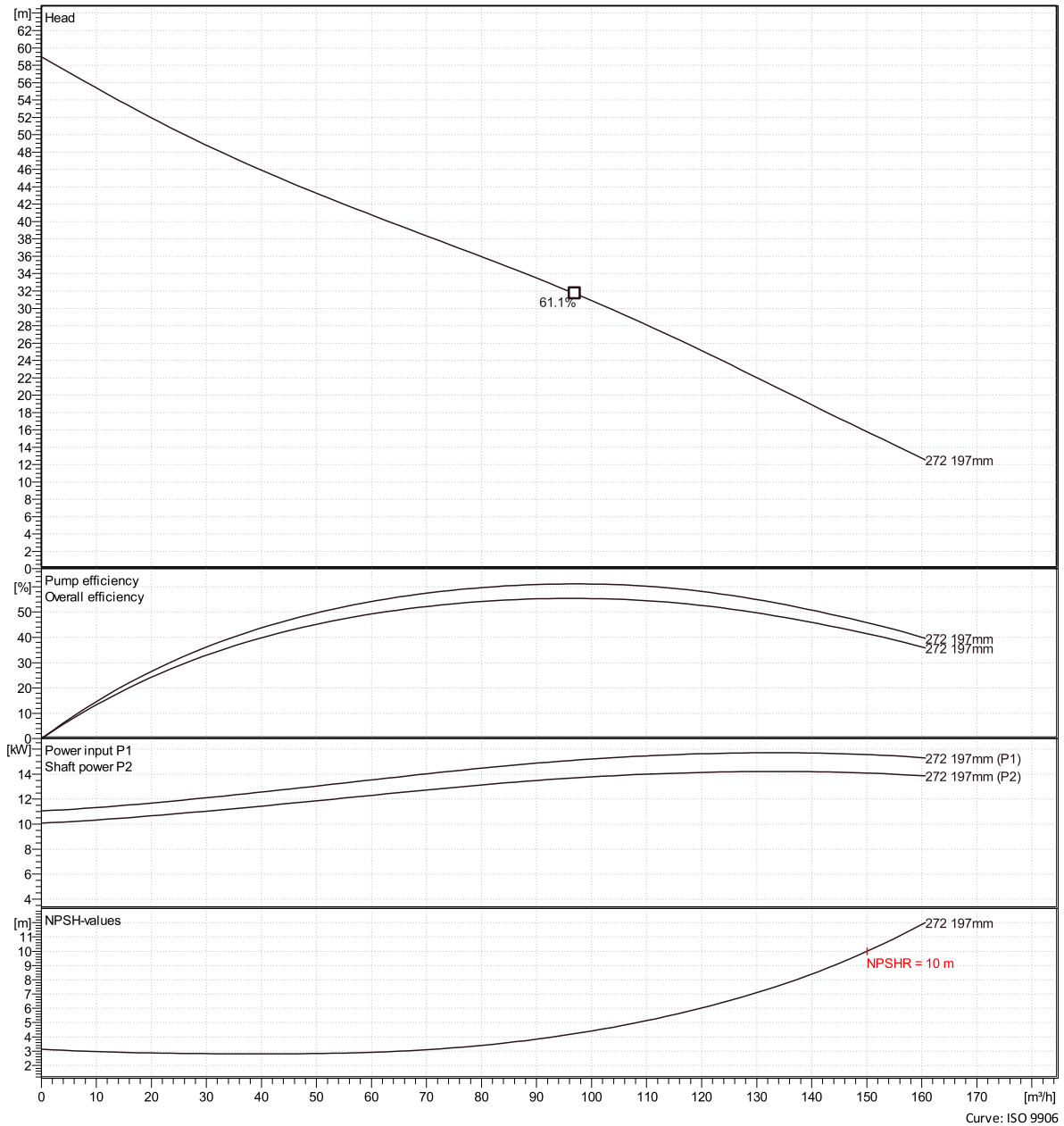


### Duty point

Flow

Head

Curves according to: Water, pure Water, pure [100%], 4 °C, 999.9 kg/m<sup>3</sup>, 1.5692 mm<sup>2</sup>/s



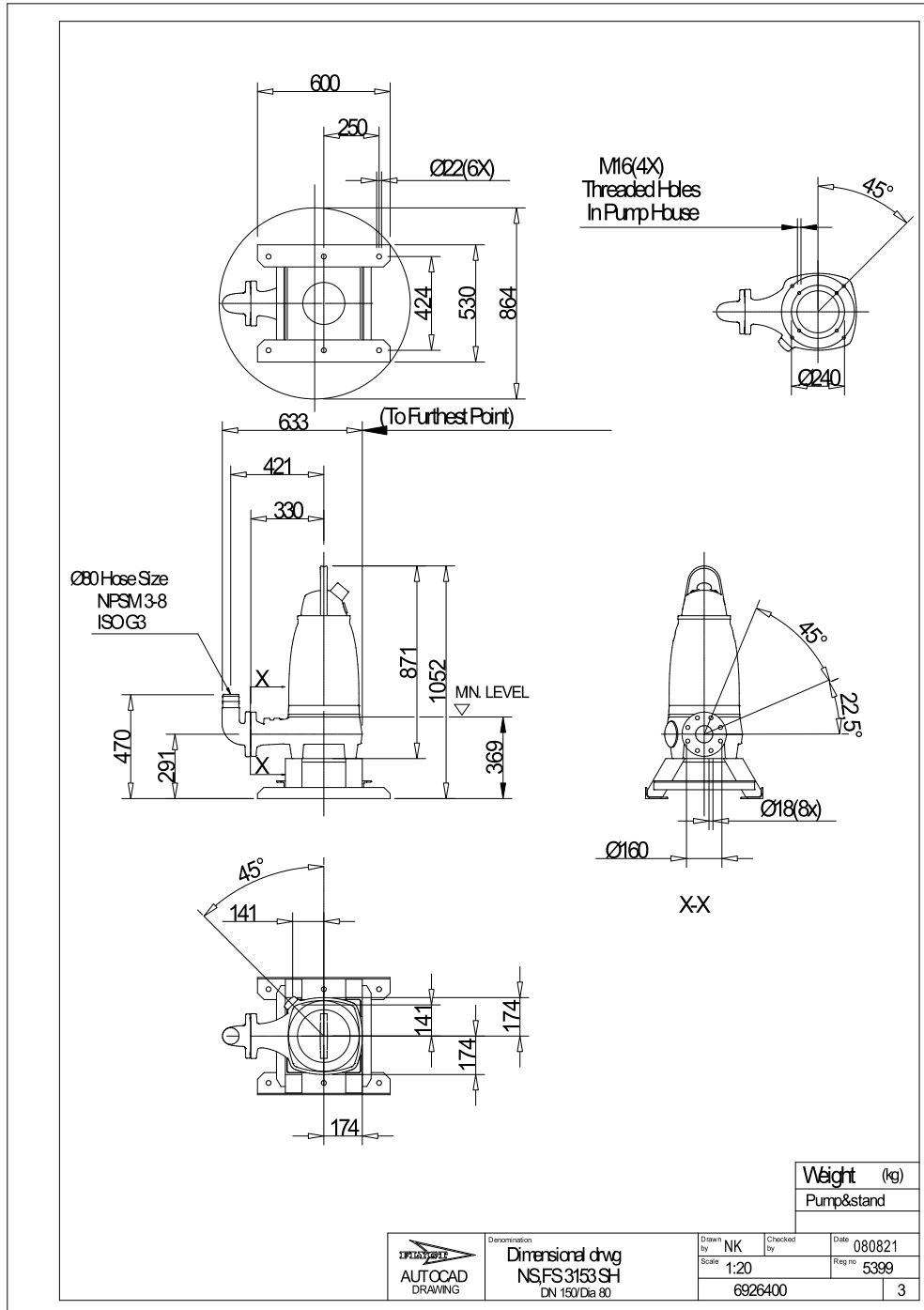
Vilma Razumaite

Created on 3/29/2022 Last update 3/29/2022

Curve: ISO 9906

# NS 3153 SH 3~ 272

Dimensional drawing



Project  
Block

Created by: Vilma Razumaite  
Created on: 3/29/2022 Last update: 3/29/2022