

Etabloc – The Compact Pump



Applications:

Pure liquids not chemically or mechanically aggressive to the pump materials

- Water supply
- Cooling water
- Swimming pool water
- Fire-fighting systems
- Seawater
- Spray irrigation
- Fire-fighting water
- Irrigation
- Service water
- Cleaning agents
- Drinking water
- Brackish water
- Drainage
- Condensate
- Heating
- Air-conditioning
- Oils
- Hot water

More information:

www.ksb.com/products

Etabloc with KSB SuPremE®-IE5 motor*, PumpMeter and PumpDrive



Etabloc with KSB SuPremE®-IE5 motor*, PumpMeter and PumpDrive Eco

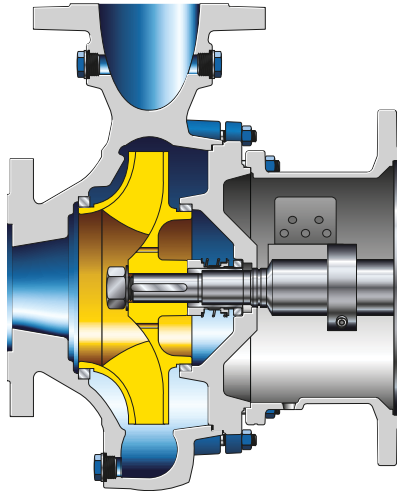


Etabloc with PumpMeter, PumpDrive and IE3 motor

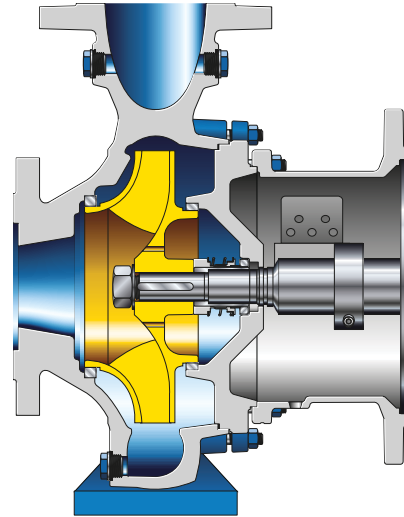


Etabloc with PumpMeter and IE3 motor

Etabloc – The Compact Pump



Etabloc – without support foot



Etabloc – with support foot

High energy efficiency

- Optimised hydraulic system of high efficiency. As a standard, the impellers are trimmed to the operating point.
- Ground-breaking features for saving energy. Equipped with PumpDrive for variable-speed operation. When used in combination with the KSB SuPremE® motor, the pump achieves the efficiency level IE5*.

Compact design

Pump without separate coupling, which eliminates the need for coupling alignment.

Reliability

- Good suction performance for low vibration levels and very smooth running.
- Safe transport of the complete pump set and pump foot and motor foot already levelled for installation from 75 – 110 kW.
- Wetted parts are free from primers and thus generally recognised as safe for handling drinking water.

Materials variants

Grey cast iron EN-GJL-250 / A48 CL 35B

Nodular cast iron EN-GJS-400-15 / A536 GR 60-40-18

Stainless steel 1.4408 / A743 Gr CF8 M

Bronze CC480K-GS / B30 C90700

Versatility

- Great choice of materials for many applications available as a standard.
- Horizontal or vertical shaft axis position can be selected.
- Hydraulic test run to ISO 9906 3B, 2B and 2U available.
- Optional interior and exterior coating for better corrosion protection.
- Available in a wide choice of materials for a large variety of fluids.
- Wide choice of seals for demanding fluids.
- Additional sizes for small flow rates extend the already diverse range of selection charts.

Service-friendly

- Fast delivery of new pumps and spare parts.
- Easier to assemble and dismantle thanks to the larger seal chamber and threaded holes for forcing screws between the casing cover and bearing bracket.

Technical data

Flow rate	Up to 640 m ³ /h (50 Hz) Up to 753 m ³ /h (60 Hz)
Head	Up to 160 m (50 Hz) Up to 148 m (60 Hz)
Fluid temperature	-30 °C to +140 °C
Pressure	up to 16 bar

* IE5 in accordance with IEC/TS 60034-30-2 up to 15/18.5 kW (only for 1500 rpm types rated 0.55 kW, 0.75 kW, 2.2 kW, 3 kW, 4 kW: IE5 in preparation)



KSB SE & Co. KGaA
Johann-Klein-Straße 9
67227 Frankenthal (Germany)
www.ksb.com