

Kiekis Aprašymas1 **MAGNA3 32-120****Atkreipkite dėmesį! Paveikslėlyje parodytas produktas gali skirtis nuo tikrojo**Produkto Nr.: [98609709](#)

The Grundfos MAGNA3 circulator pump is the ideal choice for almost any building project – old or new. With its unrivalled energy efficiency, all-encompassing range and built-in communication capabilities, MAGNA3 is ideal for engineers and specifiers looking to create high-performance heating and cooling systems.

The pump is maintenance-free due to the canned-rotor type design. This also means that pump and motor form an integral unit without shaft seal and with only two gaskets for sealing. The bearings are lubricated by the pumped liquid.

MAGNA3 features an intuitive display and allows you to connect wirelessly with the Grundfos GO Remote app, giving you access to advanced reporting and monitoring.

The pump includes fieldbus communication via CIM modules as well as analog and digital inputs and configurable relays.

Control features include AUTOADAPT and FLOWADAPT. FLOWADAPT which reduces the need for throttling valves, thus cutting costs on system components.

MAGNA3 is the superior choice for a wide range of heating and cooling applications, including:

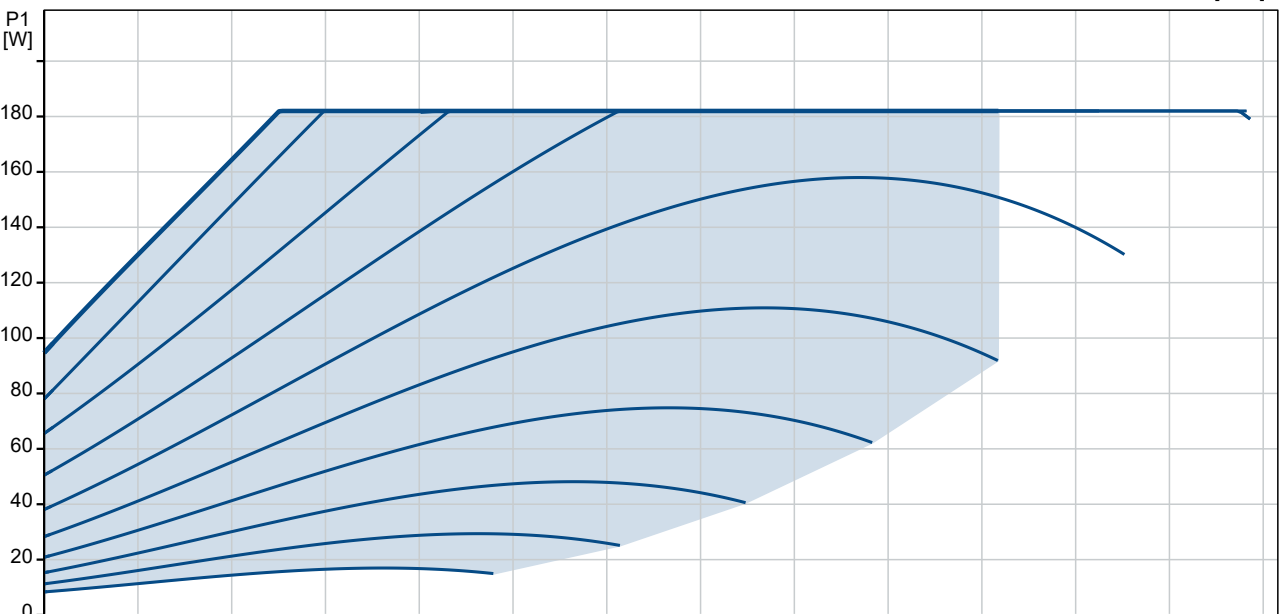
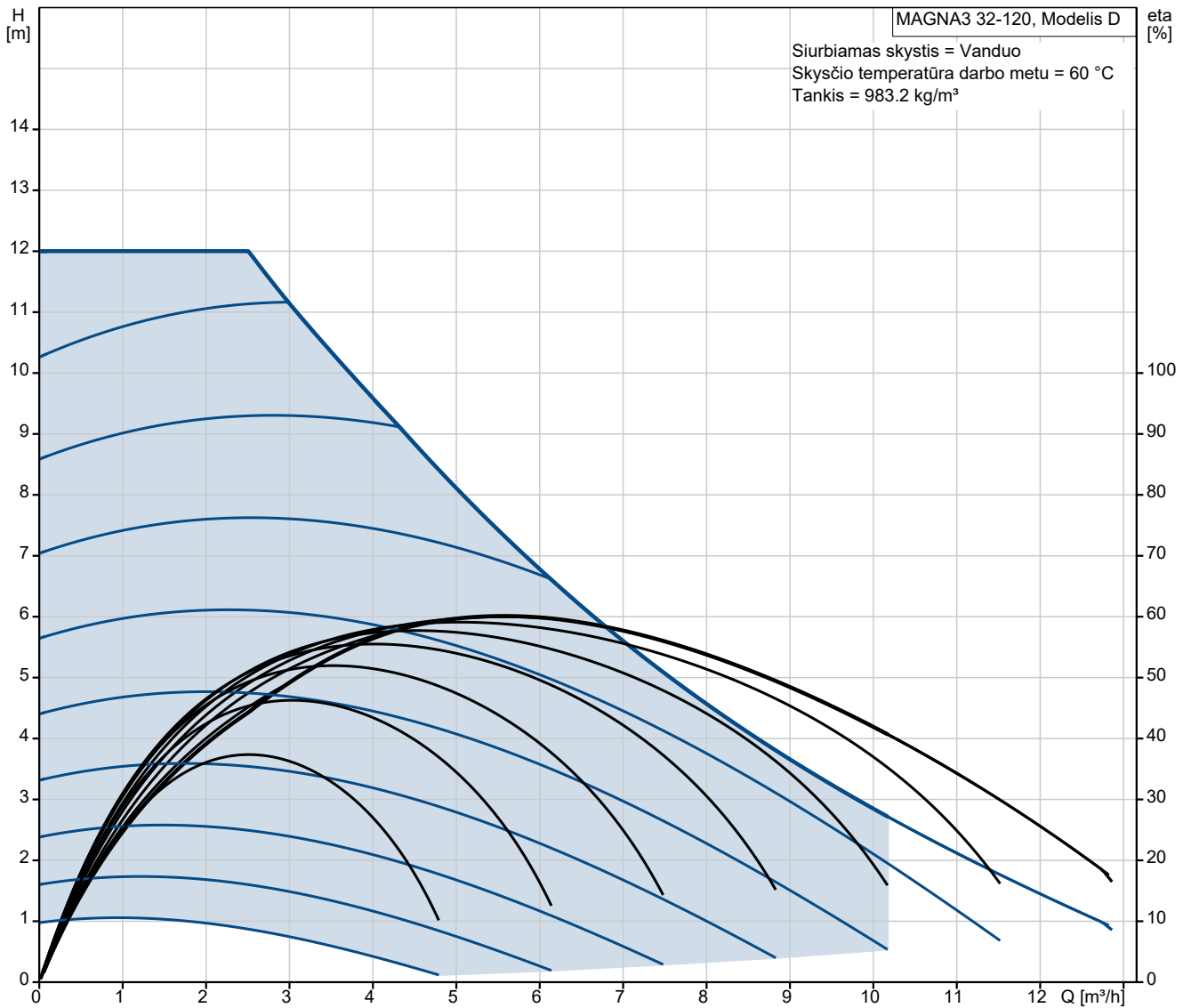
- Mixing loops
- Heating surfaces
- Air conditioning surfaces
- Ground-source heat pump systems
- Smaller chiller applications.

MAGNA3 is a single-phase pump and characterised by having the controller and control display integrated in the control box. The pump also has a built-in differential-pressure and temperature sensor.

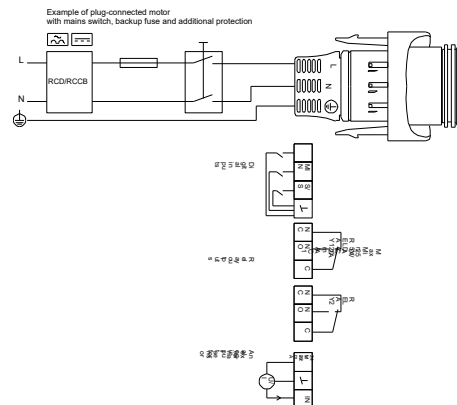
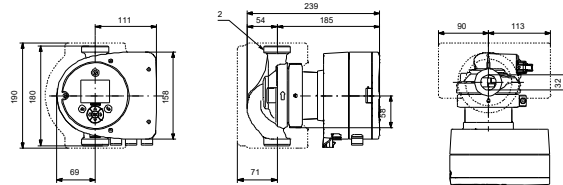
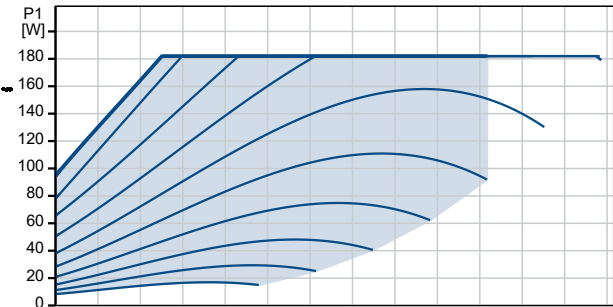
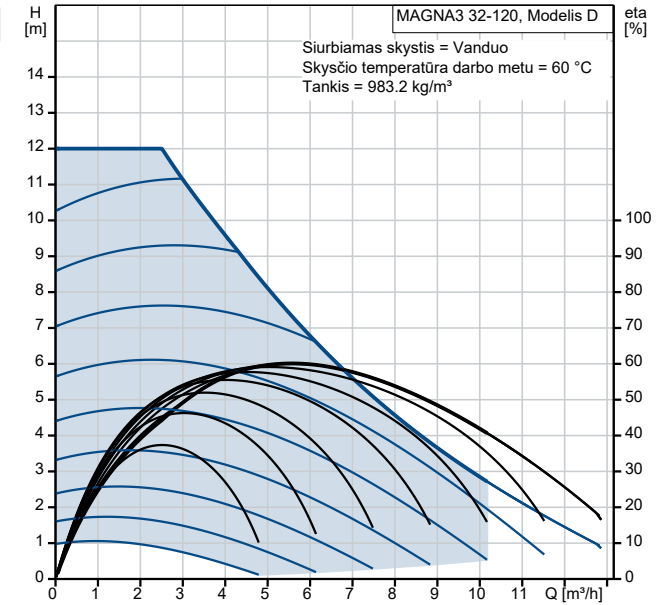
The pump housing is available in both cast-iron and stainless-steel versions. The composite rotor can be carbon-fibre reinforced, the bearing plate and rotor cladding are made of stainless steel and the stator housing is made of aluminium. The power electronics are air-cooled.

MAGNA3 incorporates a 4-pole synchronous, permanent-magnet motor (PM motor). This motor type is characterised by higher efficiency than a conventional asynchronous squirrel-cage motor. The pump speed is controlled by an integrated frequency converter.

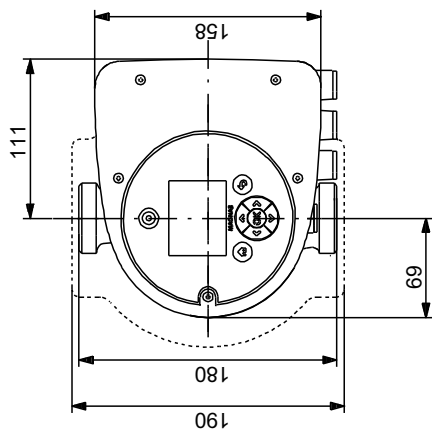
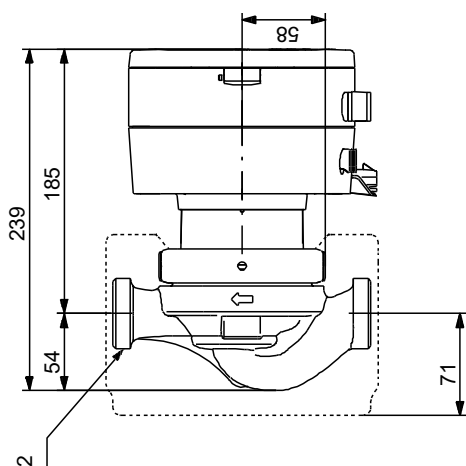
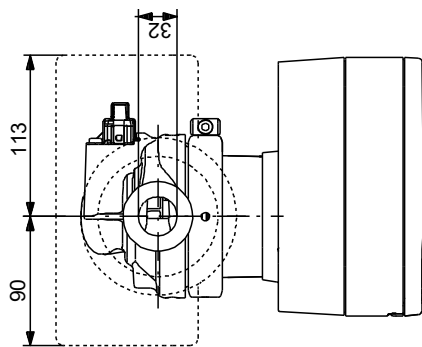
98609709 MAGNA3 32-120



Aprašymas	Vertė
Bendra informacija:	
Produkto pavadinimas:	MAGNA3 32-120
Produkto Nr.:	98609709
EAN numeris:	5711498165922
Techniniai duomenys:	
Nominalus debitas:	5.53 m ³ /h
Nominalus slėgio aukštis:	7.385 m
Maks. slėgio aukštis:	120 dm
TF klasė:	110
Approvals:	CE, VDE, EAC, MOROCCO, UKCA, TSERCM, UkrSEPRO
Modelis:	D
Medžiagos:	
Siurblio korpusas:	Ketus
Siurblio korpusas:	EN-GJL-200
Siurblio korpusas:	ASTM A48-200B
Darbaratis:	PES 30%GF
Įrengimas:	
Aplinkos temperatūros intervalas:	0 .. 40 °C
Maksimalus darbinis slėgis:	16 bar
Vamzdžio jungtis:	G 2"
Slėgis:	PN 16
Montažinis ilgis:	180 mm
Skystis:	
Siurbiamas skystis:	Vanduo
Skysčio temperatūros diapazonas:	-10 .. 110 °C
Skysčio temperatūra eksploataavimo metu:	60 °C
Tankis:	983.2 kg/m ³
Elektrotechniniai duomenys:	
Naudojama galia P1:	9 .. 182 W
Elektros tinklo dažnis:	50 / 60 Hz
Nominali įtampa [V]:	1 x 230 V
Maksimali vartojama srovė:	0.09 .. 1.56 A
Korpuso klasė (IEC 34-5):	X4D
Izoliacijos klasė (IEC 85):	F
Kita:	
Energija (EEI):	0.18
Environmental approvals:	CN ROHS, WEEE
Neto masė:	5.03 kg
Bendra masė:	5.87 kg
Tiekimo tūris:	0.015 m ³

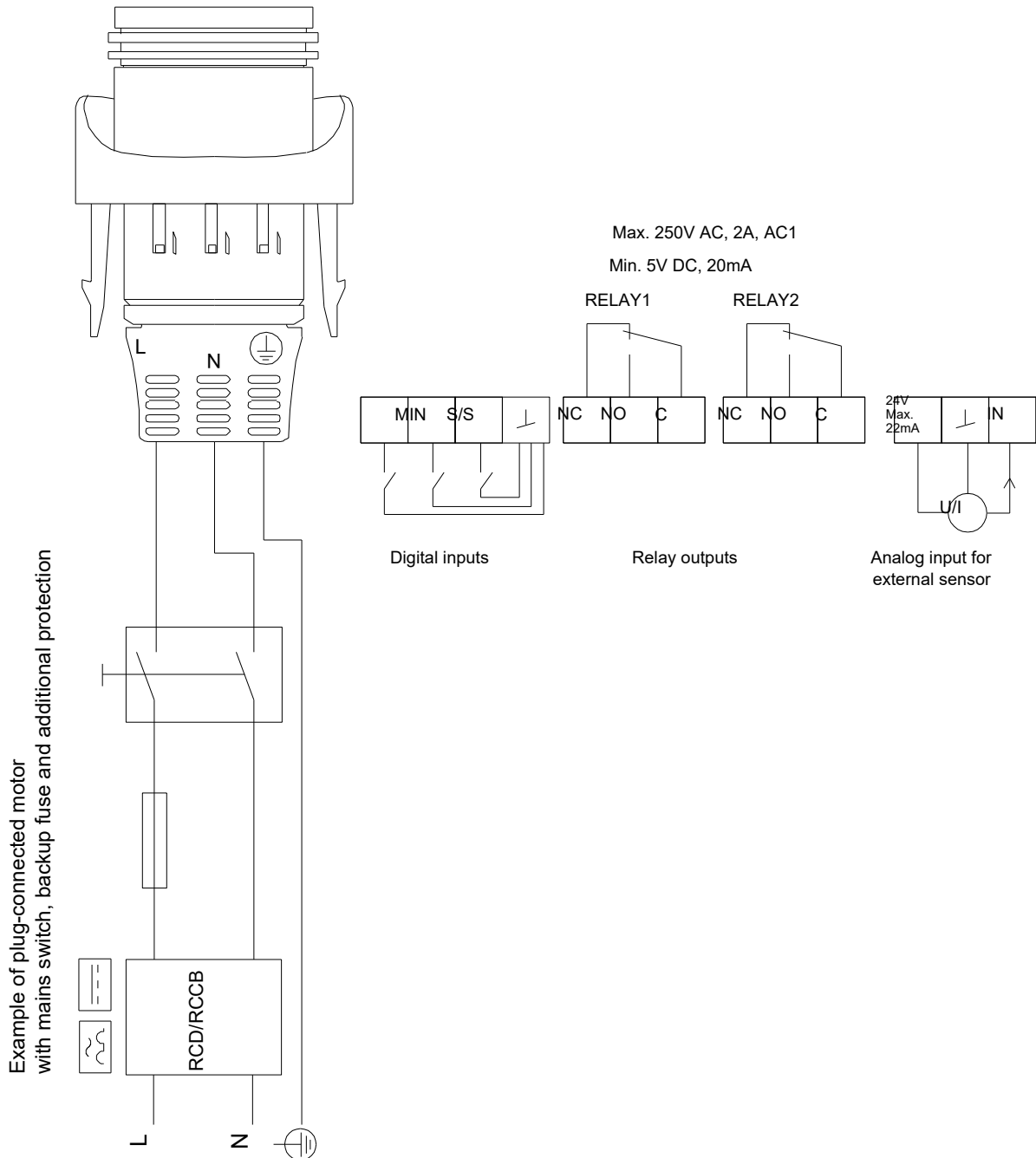


98609709 MAGNA3 32-120



Atkreipkite dėmesį! Visi matmenys, jei nenurodyta kitaip, pateikti milimetrais.
Atsakomybės apribojimas: šiame supaprastintame matmenų brėžinyje neparodytos visos detalės.

98609709 MAGNA3 32-120



Atkreipkite dėmesį! Visi matmenys, jei nenurodyta kitaip, pateikti milimetrais.