

## MP 3127 HT 3~ 255

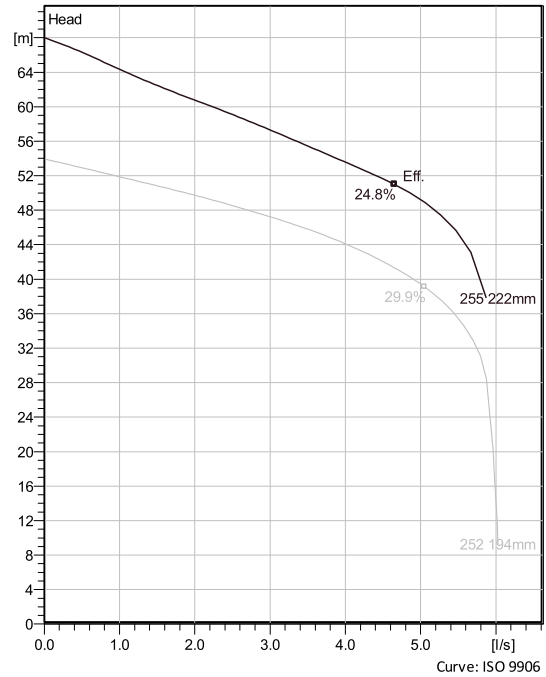
Semi-open multi-channel impellers with integral grinder cutter in single volute casing for liquids containing solids and fibres.



### Technical specification



Curves according to: Water, pure Water, pure [100%], 4 °C, 999.9 kg/m<sup>3</sup>, 1.5692 mm<sup>2</sup>/s



### Configuration

<b>Motor number</b> M3127.170 21-11-2AL-W 10.9KW	<b>Installation type</b> P - Semi permanent, Wet
<b>Impeller diameter</b> 222 mm	<b>Discharge diameter</b> 50 mm

### Pump information

<b>Impeller diameter</b> 222 mm
<b>Discharge diameter</b> 50 mm
<b>Inlet diameter</b> 50 mm
<b>Maximum operating speed</b> 2875 rpm
<b>Number of blades</b> 6
<b>Max. fluid temperature</b> 40 °C

### Materials

<b>Impeller</b> Grey cast iron
<b>Stator housing material</b> Grey cast iron

<b>Project</b>	<b>Created by</b>		
<b>Block</b>	<b>Created on</b>	8/31/2022	<b>Last update</b> 8/31/2022

# MP 3127 HT 3~ 255

## Technical specification



### Motor - General

<b>Motor number</b> M3127.170 21-11-2AL-W 10.9KW	<b>Phases</b> 3~	<b>Rated speed</b> 2875 rpm	<b>Rated power</b> 10.9 kW
<b>Approval</b> No	<b>Number of poles</b> 2	<b>Rated current</b> 22 A	<b>Stator variant</b> 40
<b>Frequency</b> 50 Hz	<b>Rated voltage</b> 400 V	<b>Insulation class</b> H	<b>Type of Duty</b> S3 60 = 6 minutes duty/4 minutes rest of 10 minutes cycle time.
<b>Version code</b> 170			

### Motor - Technical

<b>Power factor - 1/1 Load</b> 0.84	<b>Motor efficiency - 1/1 Load</b> 85.3 %	<b>Total moment of inertia</b> 0.013 kg m <sup>2</sup>	<b>Starts per hour max.</b> 30
<b>Power factor - 3/4 Load</b> 0.80	<b>Motor efficiency - 3/4 Load</b> 86.8 %	<b>Starting current, direct starting</b> 146 A	
<b>Power factor - 1/2 Load</b> 0.70	<b>Motor efficiency - 1/2 Load</b> 86.8 %	<b>Starting current, star-delta</b> 48.7 A	

**Project**  
**Block**

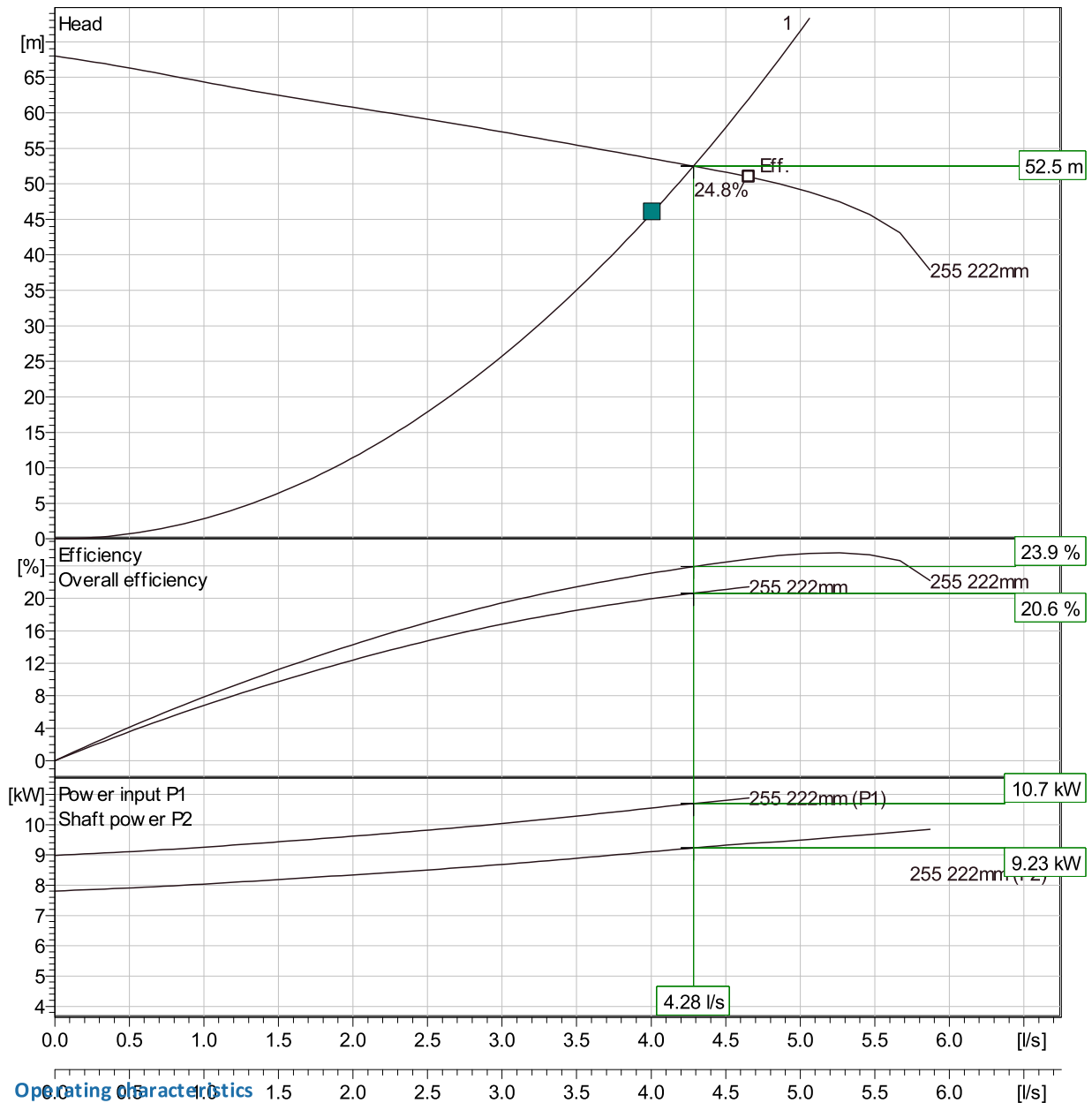
**Created by**  
**Created on** 8/31/2022 **Last update** 8/31/2022

# MP 3127 HT 3~ 255

## Duty Analysis



Curves according to: Water, pure [100%]; 4°C; 999.9kg/m<sup>3</sup>; 1.5692mm<sup>2</sup>/s



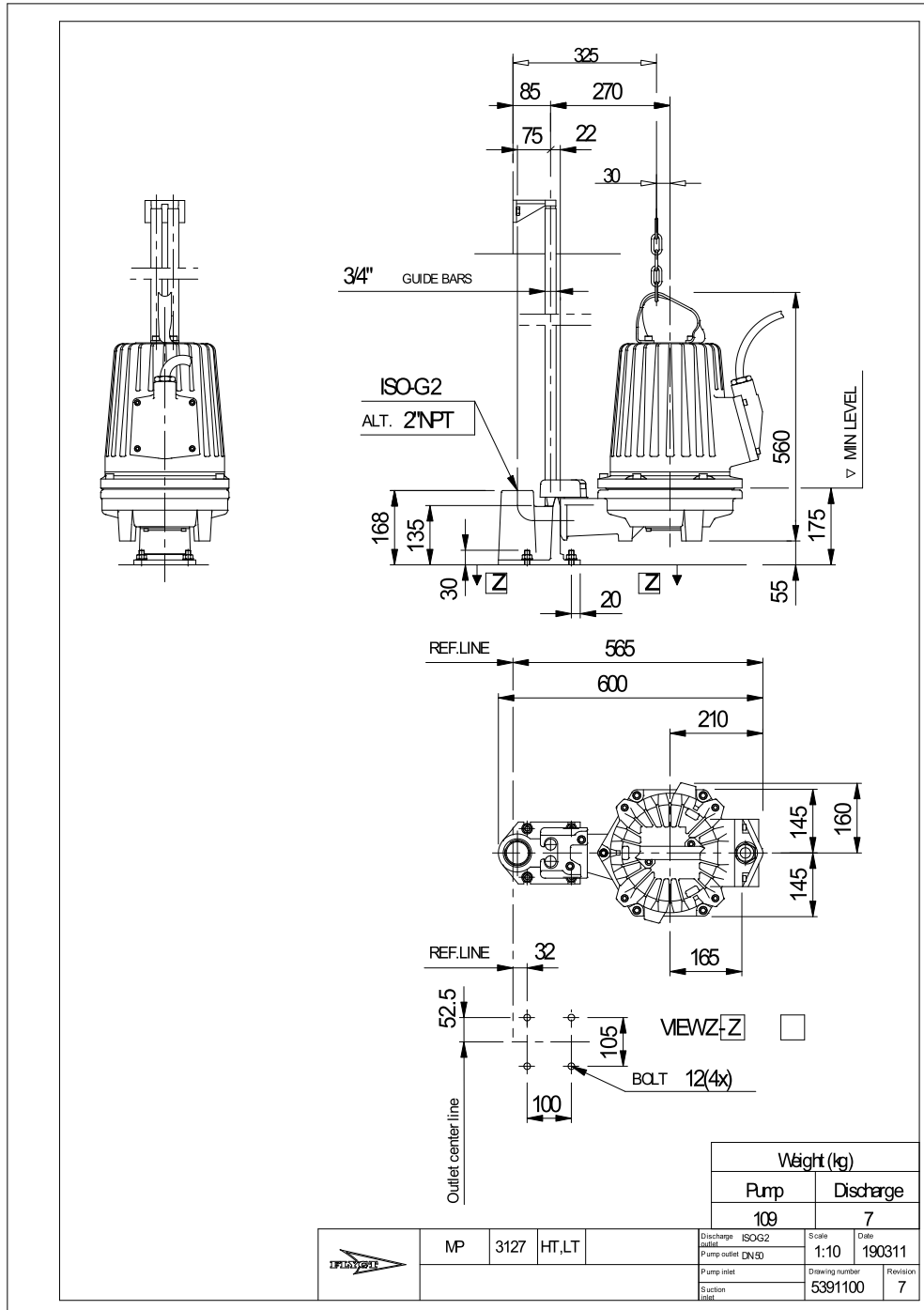
### Operating characteristics

Pumps / Systems	Flow l/s	Head m	Shaft power kW	Flow l/s	Head m	Shaft power kW	Hydr. eff.	Spec. Energy kWh/m <sup>3</sup>	NPSHre m
1	4.28	52.5	9.23	4.28	52.5	9.23	23.9 %	0.694	

Project	Created by			
Block	Created on	8/31/2022	Last update	8/31/2022

# MP 3127 HT 3~255

Dimensional drawing



Project  
Block

Created by

Created on 8/31/2022 Last update

8/31/2022