

Receiver
From

 Society
 Reference
 Address
 Phone
 Fax
 E-mail

Item n° :

60179422

Model :

EURO 40/80 T IE3

Pump data

 Pressure rating : 0,8 MPa
 Min. fluid temperature : 0 °C
 Max. fluid temperature : 35 °C
 Max. Ambient temperature : 40 °C

Requested data

 Flow :
 Head :
 Fluid : Water
 Fluid Temperature : 20 °C
 Density : 998,3 kg/m³
 Kinematic viscosity : 1,005 mm²/s
 Vapor pressure : 0,00 MPa

Hydraulic data (duty point)

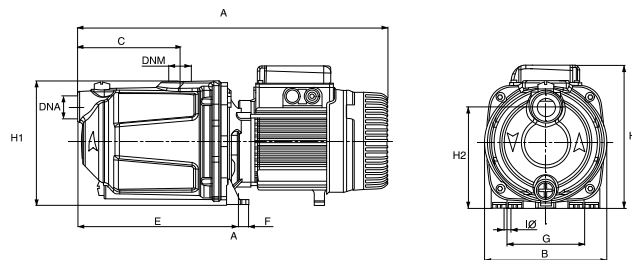
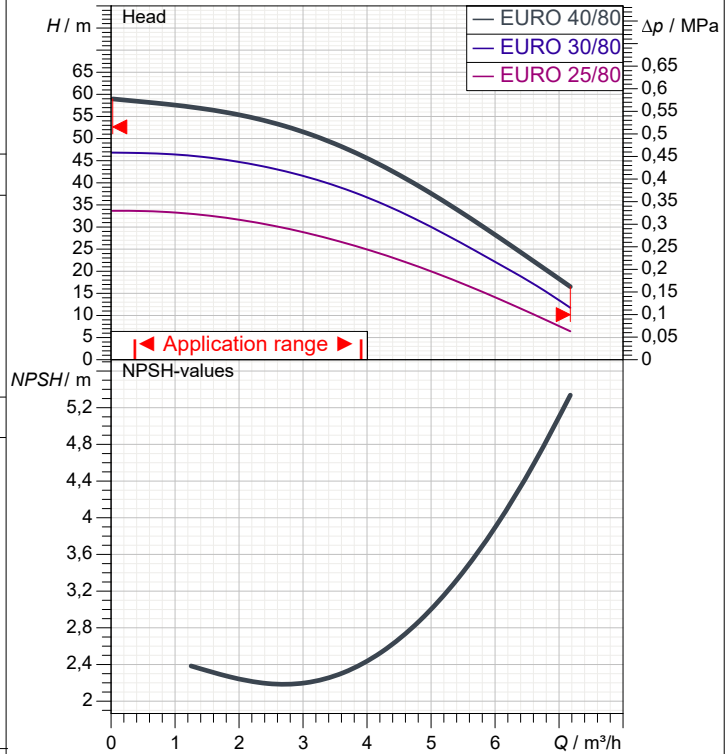
 Flow :
 Head :

Materials

 Pump body : Cast iron 200 UNI ISO 185
 Impeller : Technopolymer
 Shaft with rotor : AISI 304 X5 Cr Ni 1810 UNI 6900/71
 OR ring : NBR
 Diffuser : Technopolymer
 Mechanical seal : Carbon/Ceramic
 Disc seal : AISI 304 X5 Cr Ni 1810 UNI 6900/71

Motor data

 Motor brand : DAB
 Nominal power P2 : 1 kW
 Rated speed : 2.800 1/min
 Rated voltage : 3~ 400 V 50 Hz
 Nominal current : 2,5 A
 Degree of protection : IP 44

Curve tolerance according to ISO 9906

Weight : 16,3 kg

Dimensions in mm

A	468	DNM	1"G	H	204		
B	175	E	235	H1	179		
C	1.495	F	13,5	H2	143,5		
DNA	1"G	G	111	I Ø	9		

Pump connection

 Suction side : 1" G / 0,8 MPa
 Discharge side : 1" G / 0,8 MPa

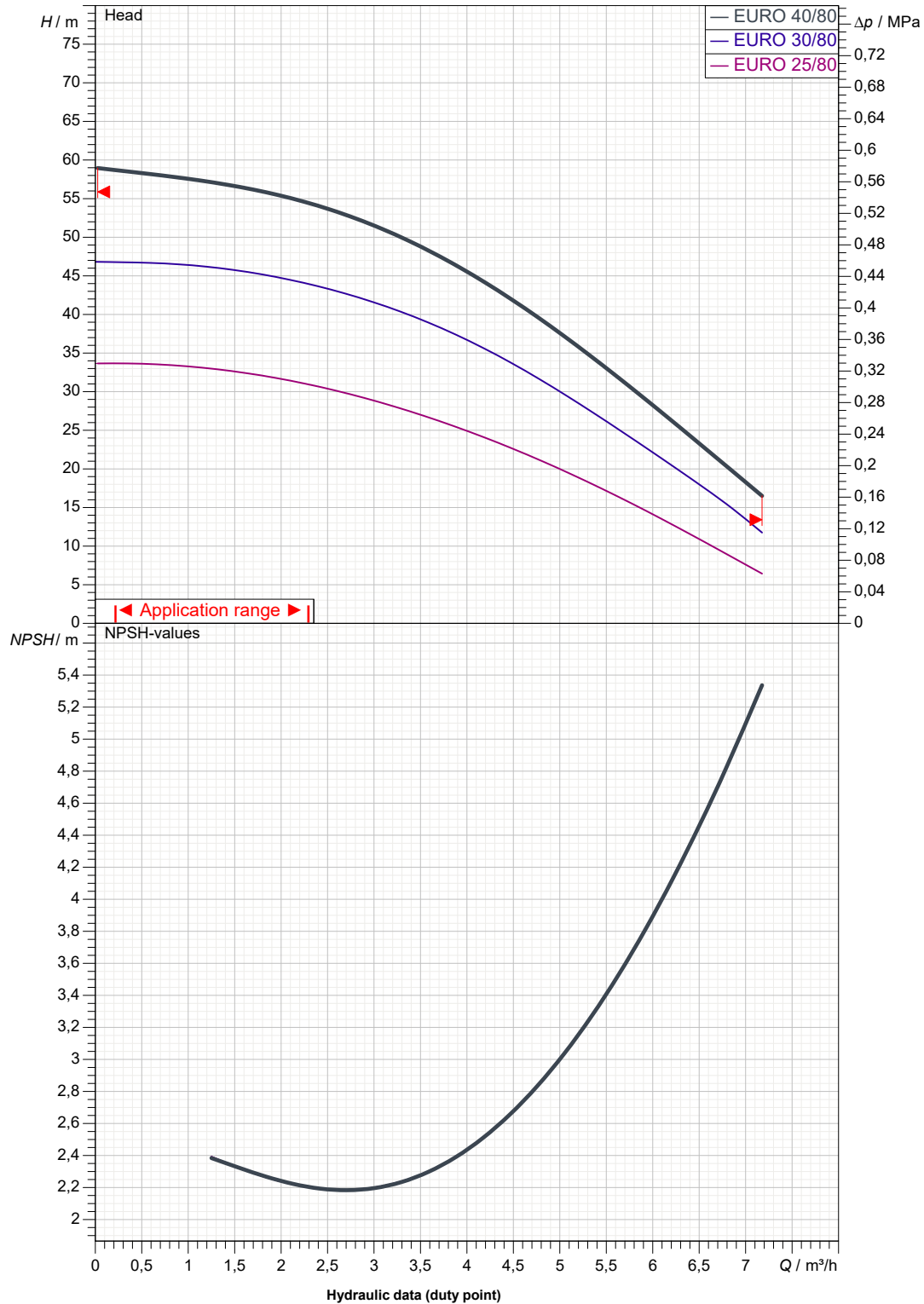
Receiver

From

Society
Reference
Address
Phone
Fax
E-mail

EURO 40/80 T IE3

Curve tolerance according to ISO 9906



Suction side :
1" G
0,8 MPa

Discharge side :
1" G
0,8 MPa

Flow :

Head :

Rated speed :
2.800 1/min

MAIN_PROJECT_TITLE

BUSINESS_PROCESS_ID

OWNER_

ISSUE_DATE
2022-10-12



DIMENSIONAL DRAWING

2022-10-12

Page 3 / 3

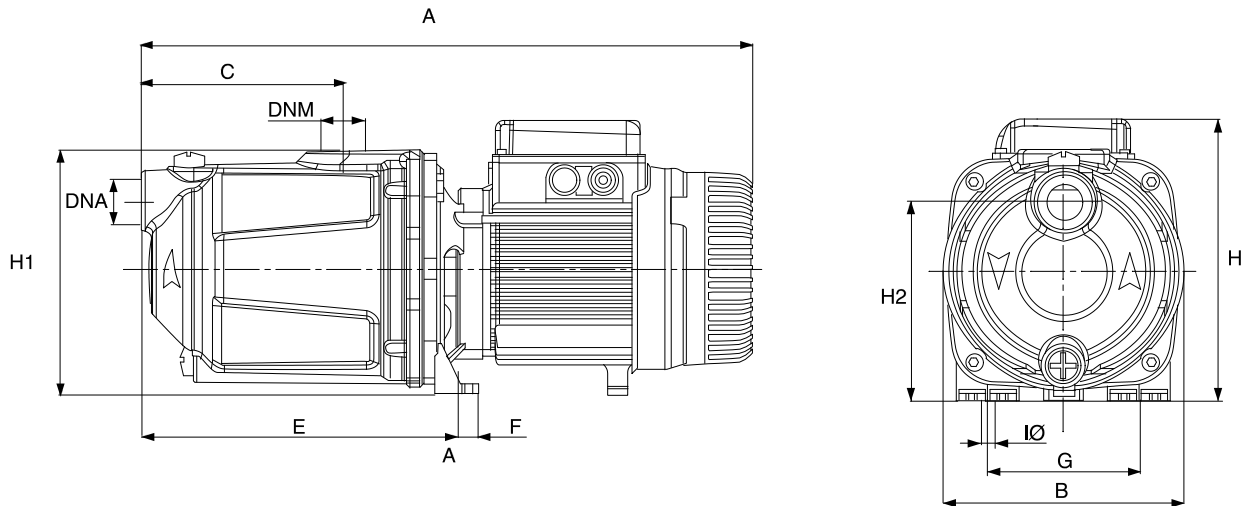
DAB PUMPS S.p.A.
Via Marco Polo, 14 - 35035 Mestrino (PD), Italy
Tel. +39 049 5125000 - Fax +39 049 5125950
www.dabpumps.com

Receiver

From

Society
Reference
Address
Phone
Fax
E-mail

EURO 40/80 T IE3



Dimensions in mm

Pump connection

1	A	468					
2	B	175					Suction
3	C	1.495					1" G
4	DNA	1" G					0,8 MPa
5	DNM	1" G					
6	E	235					Discharge
7	F	13,5					1" G
8	G	111					0,8 MPa
9	H	204					
10	H1	179					
11	H2	143,5					
12	IØ	9					

MAIN_PROJECT_TITLE

BUSINESS_PROCESS_ID

OWNER

ISSUE_DATE

2022-10-12