

**Receiver**

**From**

Society  
Reference  
Address  
Phone  
Fax  
E-mail

**Item n° :**

60183807

**Model :**

KVC 65/80 T IE3 Y17

**Pump data**

MEI  $\geq$  0,40

Pressure rating : 1,2 MPa  
Min. fluid temperature : 0 °C  
Max. fluid temperature : 40 °C  
Max. Ambient temperature : 40 °C

**Requested data**

Flow :  
Head :  
Fluid : Water  
Fluid Temperature : 20 °C  
Density : 998,3 kg/m<sup>3</sup>  
Kinematic viscosity : 1,005 mm<sup>2</sup>/s  
Vapor pressure : 0,00 MPa

**Hydraulic data (duty point)**

Flow :  
Head :  
NPSH :  
Shaft power P2 : 2,20 kW  
Efficiency : 84,90 %

**Materials**

Impeller Technopolymer B  
Diffuser Technopolymer B  
Shaft with rotor AISI 303 X10 CrNiS 1809 UNI 6900/71  
External sleeve AISI 304 X5 Cr Ni 1810 UNI 6900/71  
Seal disk AISI 304 X5 Cr Ni 1810 UNI 6900/71  
Mechanical seal Silicon carbide/Carbon  
OR ring EPDM Rubber

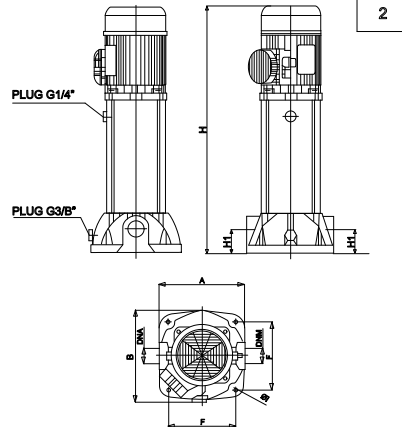
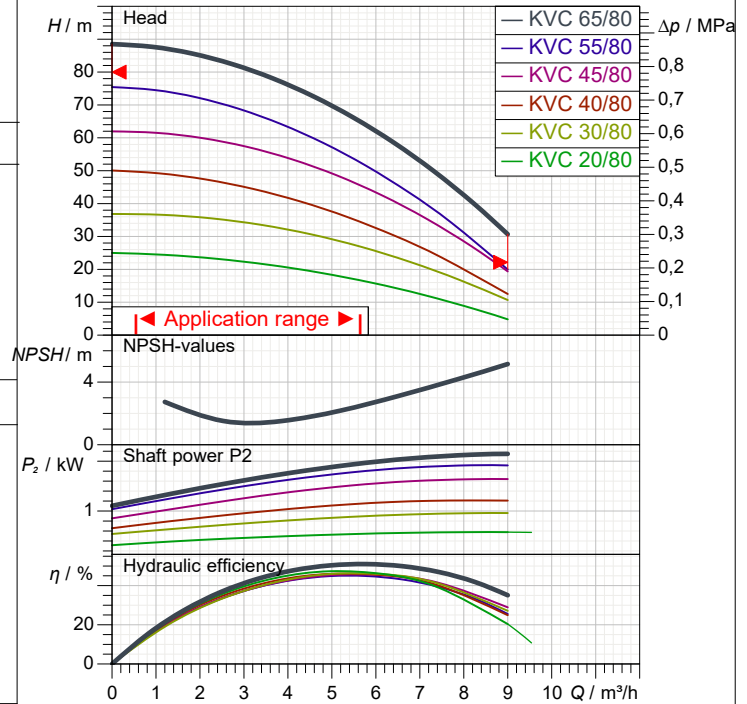
**Motor data**

Motor brand : DAB  
Nominal power P2 : 2,2 kW  
Rated speed : 2.834 1/min  
Rated voltage : 3~ 400 V 50 Hz  
Nominal current : 4,45 A  
Degree of protection : IP 55

**Pump connection**

Suction side : 1" 1/4 G / 1,2 MPa  
Discharge side : 1" 1/4 G / 1,2 MPa

**Curve tolerance according to ISO 9906**



**Weight :** 22,1 kg

**Dimensions in mm**

A	221
B	235
DNA	1"1/4 G
DNM	1"1/4 G
F	170
H	655
H1	60
Ø I	9

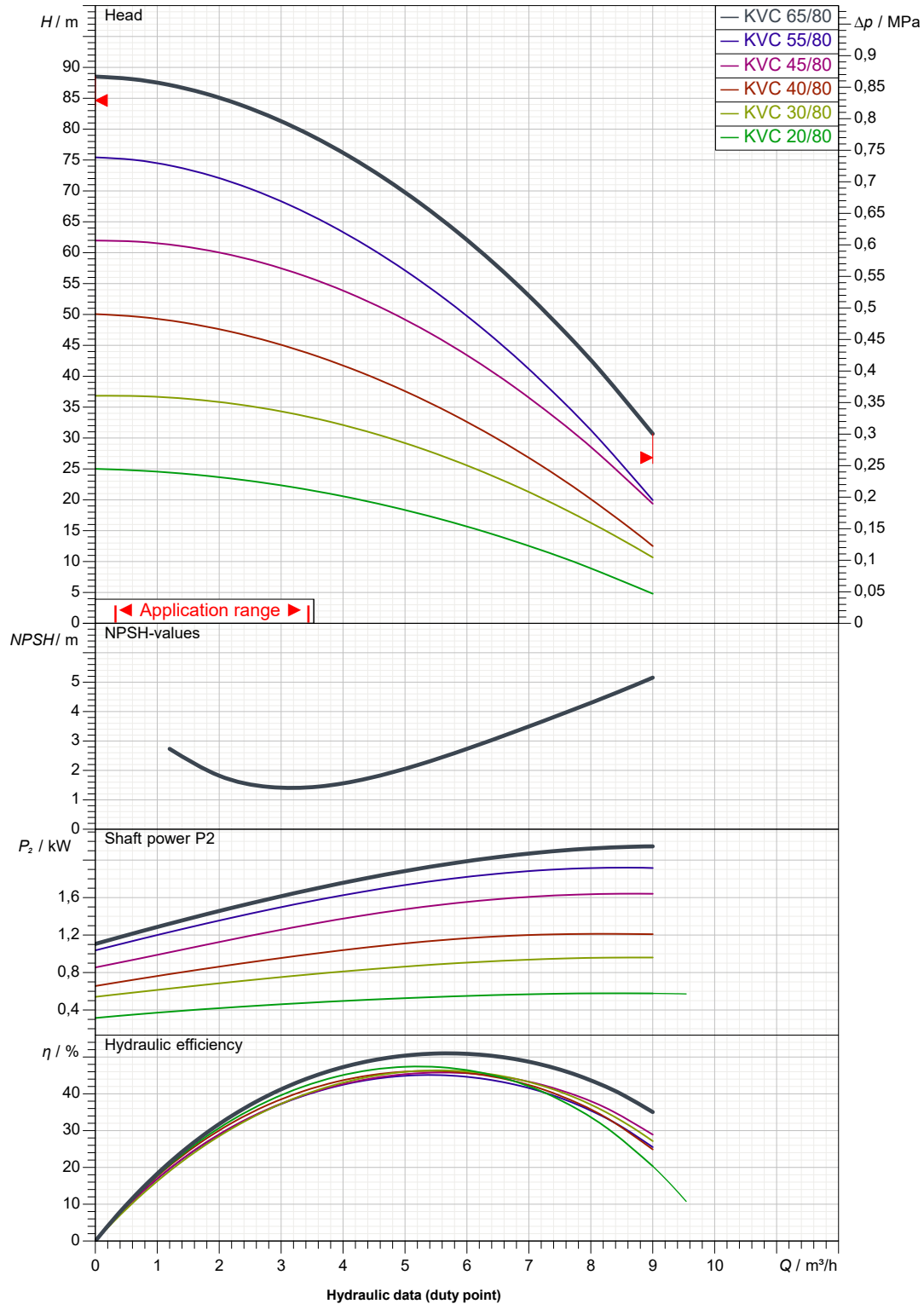
Receiver

From

 Society  
 Reference  
 Address  
 Phone  
 Fax  
 E-mail

**KVC 65/80 T IE3 Y17**

Curve tolerance according to ISO 9906


 Suction side :  
 1" 1/4 G  
 1,2 MPa

 Discharge side :  
 1" 1/4 G  
 1,2 MPa

Flow :

Head :

 Rated speed :  
 2.834 1/min

MAIN\_PROJECT\_TITLE

BUSINESS\_PROCESS\_ID

OWNER\_

ISSUE\_DATE

2022-10-26



# DIMENSIONAL DRAWING

2022-10-26

Page 3 / 3

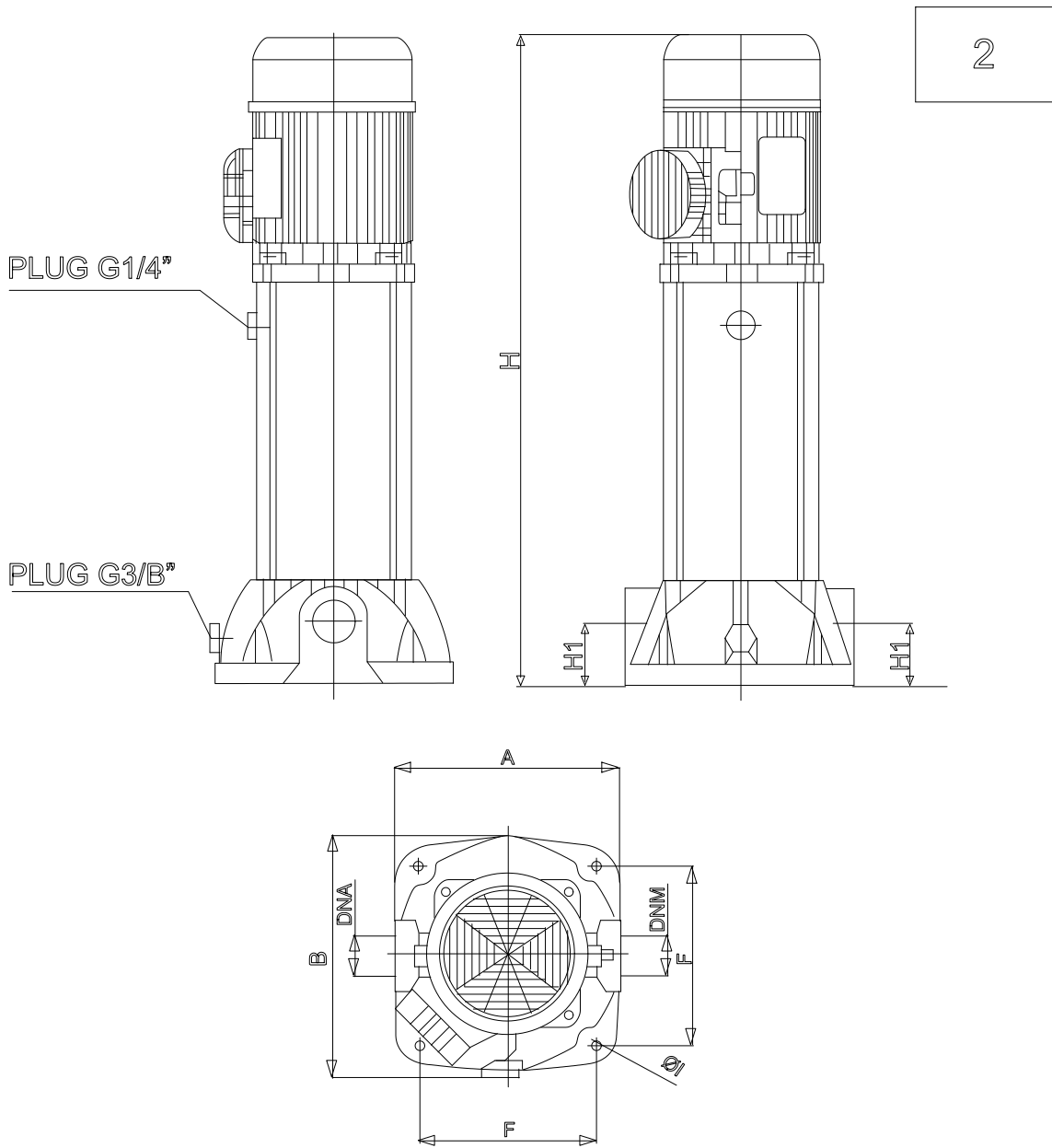
DAB PUMPS S.p.A.  
Via Marco Polo, 14 - 35035 Mestrino (PD), Italy  
Tel. +39 049 5125000 - Fax +39 049 5125950  
www.dabpumps.com

Receiver

From

Society  
Reference  
Address  
Phone  
Fax  
E-mail

## KVC 65/80 T IE3 Y17



Dimensions in mm			Pump connection	
1	A	221		
2	B	235		
3	DNA	1"1/4 G		Suction
4	DNM	1"1/4 G		1" 1/4 G
5	F	170		1,2 MPa
6	H	655		
7	H1	60		Discharge
8	Ø1	9		1" 1/4 G
9				1,2 MPa
10				
11				
12				

MAIN_PROJECT_TITLE	BUSINESS_PROCESS_ID	OWNER	ISSUE_DATE <b>2022-10-26</b>
--------------------	---------------------	-------	---------------------------------