

Receiver

Society
Reference
Address
Phone
Fax
E-mail

From

Item n° :

1D2311BBV

Model :

NKP-G 40-200/210/A/BAQE/11/2 IE3

Pump data

Impeller size (mm) : 210
MEI \geq 0,40
Pressure rating : PN 16
Min. fluid temperature : -10 °C
Max. fluid temperature : 140 °C
Max. Ambient temperature : 50 °C

Requested data

Flow :
Head :
Fluid (%) :
Fluid Temperature : 20 °C
Density : 998,3 kg/m³
Kinematic viscosity : 1,005 mm²/s
Vapor pressure : 0,00 MPa

Real duty point

Flow :
Head :
NPSH :
Shaft power P2 :
Efficiency :

Materials

Pump body : Cast iron 250 UNI ISO 185
Support : Cast iron 250 UNI ISO 185
Impeller : Cast iron 250 UNI ISO 185
Mechanical seal : SEE "SHAFT SEAL" SECTION
OR ring : Ethylene propylene (EPDM)
Pump shaft : AISI 304 X5 Cr Ni 1810 UNI 6900/71
Seal spacer : AISI 304 X5 Cr Ni 1810 UNI 6900/71

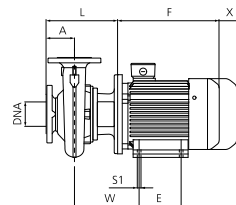
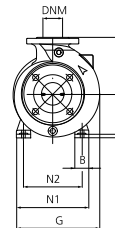
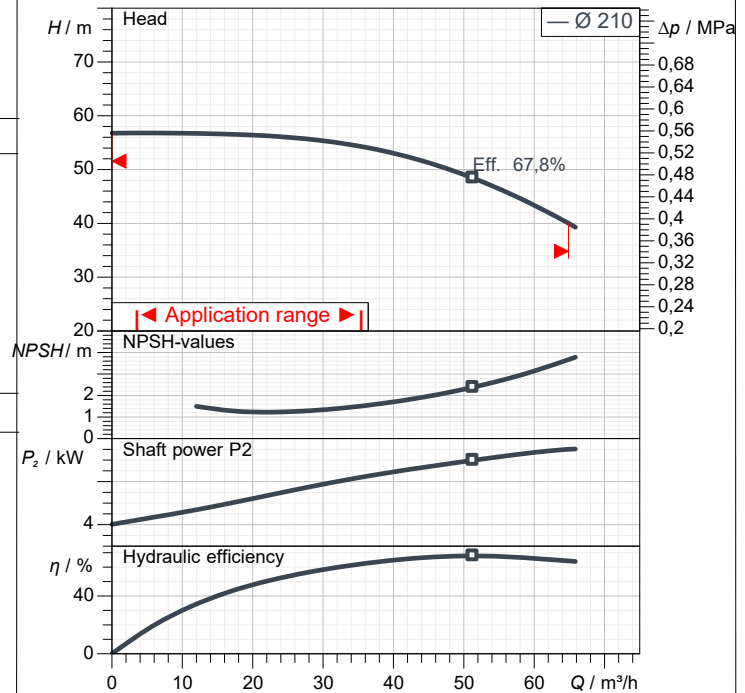
Shaft seal

Type : Rubber
Stationary part : Silicon carbide
Rotating part : Carbon
Elastomer : EPDM

Motor data

Nominal power P2 : 11 kW
Rated speed : 2.930 1/min
Rated voltage : 3~ 400 V 50 Hz
Nominal current : 19,7 A
Degree of protection : IP 55

Curve tolerance according to ISO 9906



Weight : 170 kg

Dimensions in mm

A	100	H2	180
B	67	H4	20
DNA	65	L	343
DNM	40	N1	314
E	210	N2	254
F	505	S1	M12
G	350	W	351
H1	160	X	100

Pump connection

Suction side : DN 65 / PN 16
Discharge side : DN 40 / PN 16



PERFORMANCE CURVES

2022-10-26

Page 2 / 3

DAB PUMPS S.p.A.
Via Marco Polo, 14 - 35035 Mestrino (PD), Italy
Tel. +39 049 5125000 - Fax +39 049 5125950
www.dabpumps.com

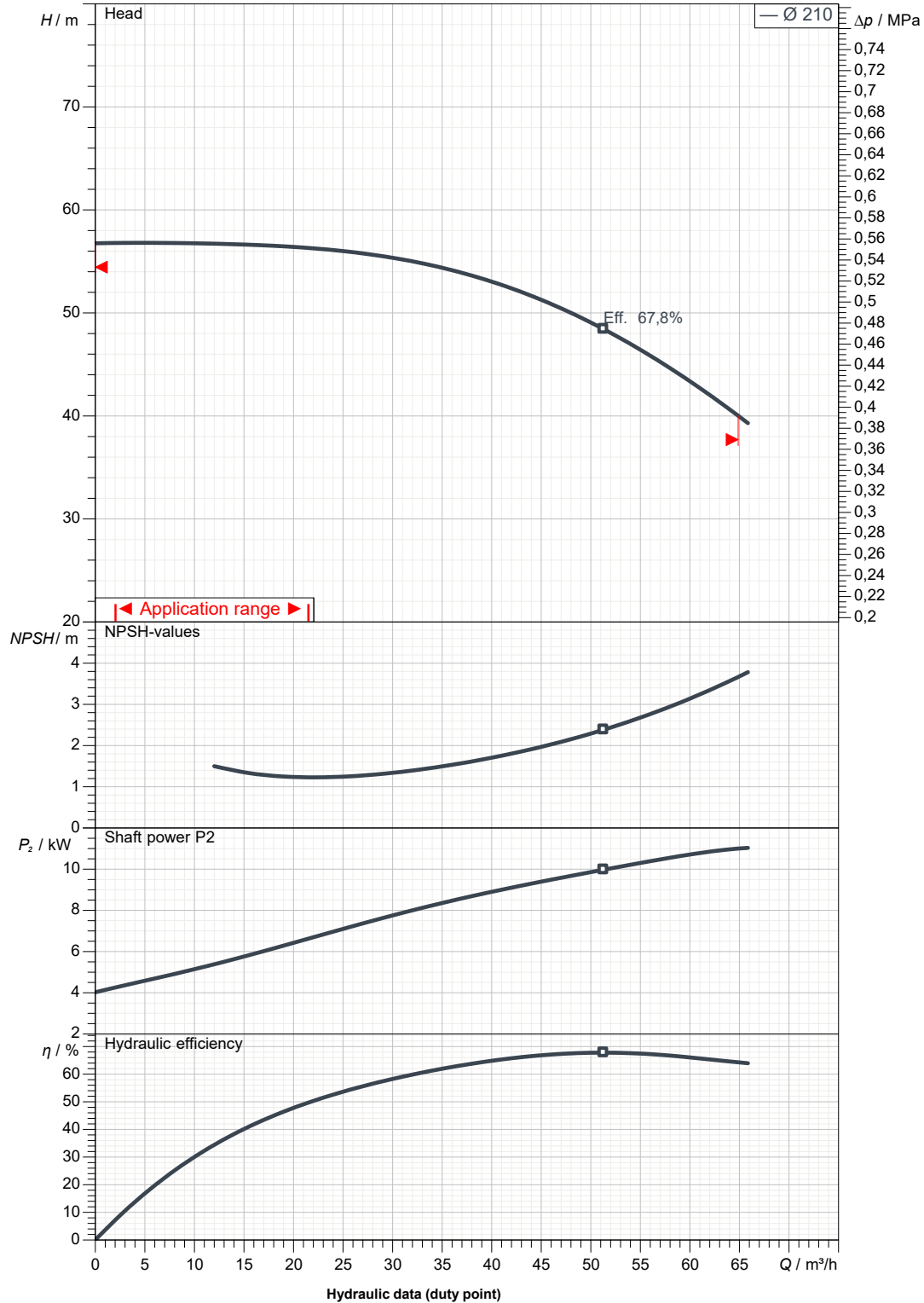
Receiver

From

Society
Reference
Address
Phone
Fax
E-mail

NKP-G 40-200/210/A/BAQE/11/2 IE3

Curve tolerance according to ISO 9906



Suction side :
DN 65
PN 16

Discharge side :
DN 40
PN 16

Flow :

Head :

Rated speed :
2.930 1/min

MAIN_PROJECT_TITLE

BUSINESS_PROCESS_ID

OWNER

ISSUE_DATE
2022-10-26



DIMENSIONAL DRAWING

DAB PUMPS S.p.A.
Via Marco Polo, 14 - 35035 Mestrino (PD), Italy
Tel. +39 049 5125000 - Fax +39 049 5125950
www.dabpumps.com

2022-10-26

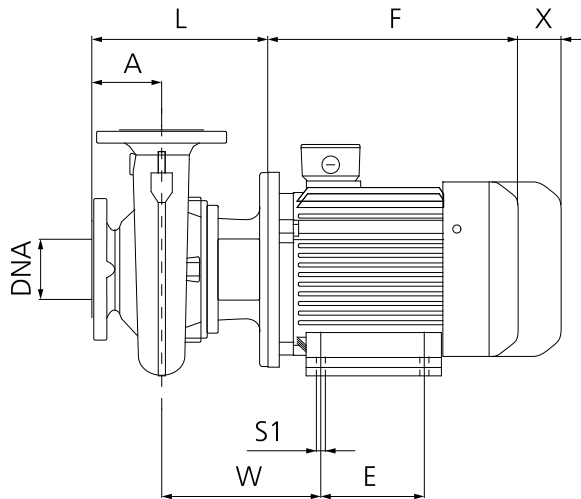
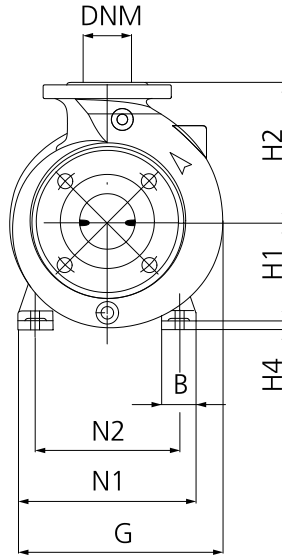
Page 3 / 3

Receiver

From

Society
Reference
Address
Phone
Fax
E-mail

NKP-G 40-200/210/A/BAQE/11/2 IE3



Dimensions in mm					Pump connection	
1	A	100	N2	254		Suction DN 65 PN 16 Discharge DN 40 PN 16
2	B	67	S1	M12		
3	DNA	65	W	351		
4	DNM	40	X	100		
5	E	210				
6	F	505				
7	G	350				
8	H1	160				
9	H2	180				
10	H4	20				
11	L	343				
12	N1	314				

MAIN_PROJECT_TITLE	BUSINESS_PROCESS_ID	OWNER	ISSUE_DATE 2022-10-26
--------------------	---------------------	-------	---------------------------------