



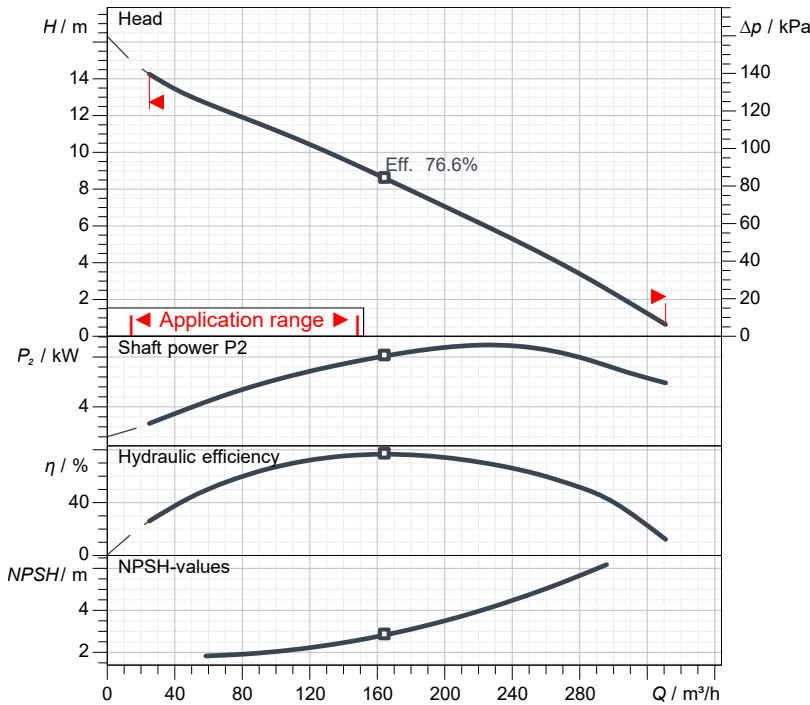
better together

Data sheet DRG 750/4/150 N0FT5

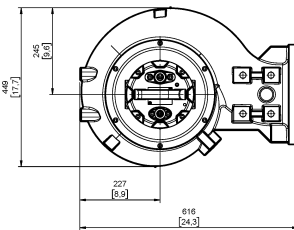
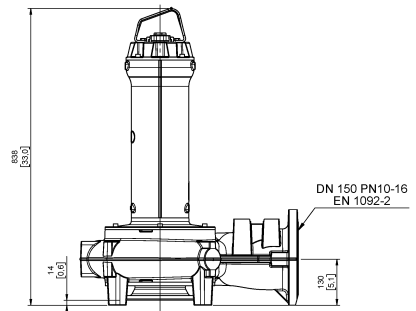
GREY
series

Technical specification

3~ 50 Hz



Characteristic curves according to UNI EN ISO 9906:2012
P2 < 10kW: paragraph 4.4.2
10kW < P2 < 100kW: Grade 3B
P2 > 100kW: Grade 2B



[mm
[inch]

Pump

Series	GREY series
Pump name	DRG 750/4/150 N0FT5
Version	NGTSB51040N00NN
Standard	CE

Operating limits (standard pumps)

Max. ambient temperature	40 °C
Max. density treated liquid	1100 kg/m³
pH treated liquid	6 ÷ 14
Max. start per hour (equally distributed)	30
Wet/dry use	WET
Max. acoustic pressure level	70 dB
Operating mode	S1 - Continuous use

Motor data

Rated voltage	400 V
Frequency	50 Hz
Motor phases	3~
Number of poles	4
Rated power P2	5.50 kW
Incoming power P1	6.38 kW
Rated current	11.9 A
rpm	1432 1/min
Efficiency	86.2 %
cos φ	0.778
Rated torque	36.7 Nm
Start	Direct starting
Starting current	72.3 A
Degree of protection	IP 68
Insulation class	H
Capacitor	
Starting Capacitor	

Construction materials

Case	Cast iron EN-GJL 250
Shaft	Stainless steel AISI 431
Hydraulic	Cast iron EN-GJL 250
Impeller	Cast iron EN-GJL 250
Painting/Coating	Bi-epoxy 200 µm sea water
Screws	Stainless steel - Class A2-70
Gaskets	NBR

Construction features

Cooling system	No cooling jacket
Main cable	4G1,5 + 3x1
Cable length	10 mt
Mechanical seals	2 in silicon carbide (2SiC)
Additional drilling	-
Weight*	120.2 kg
Electrical variant	Thermal protection and leakage sensor

* cable and fixing system excluded

Hydraulic

Free passage	65 x 60 mm
Impeller type	Open channel impeller
Max. hydraulic efficiency	76.6 %
Suction	DN 150 UNDRILLED
Discharge	DN 150 EN 1092-2



better together

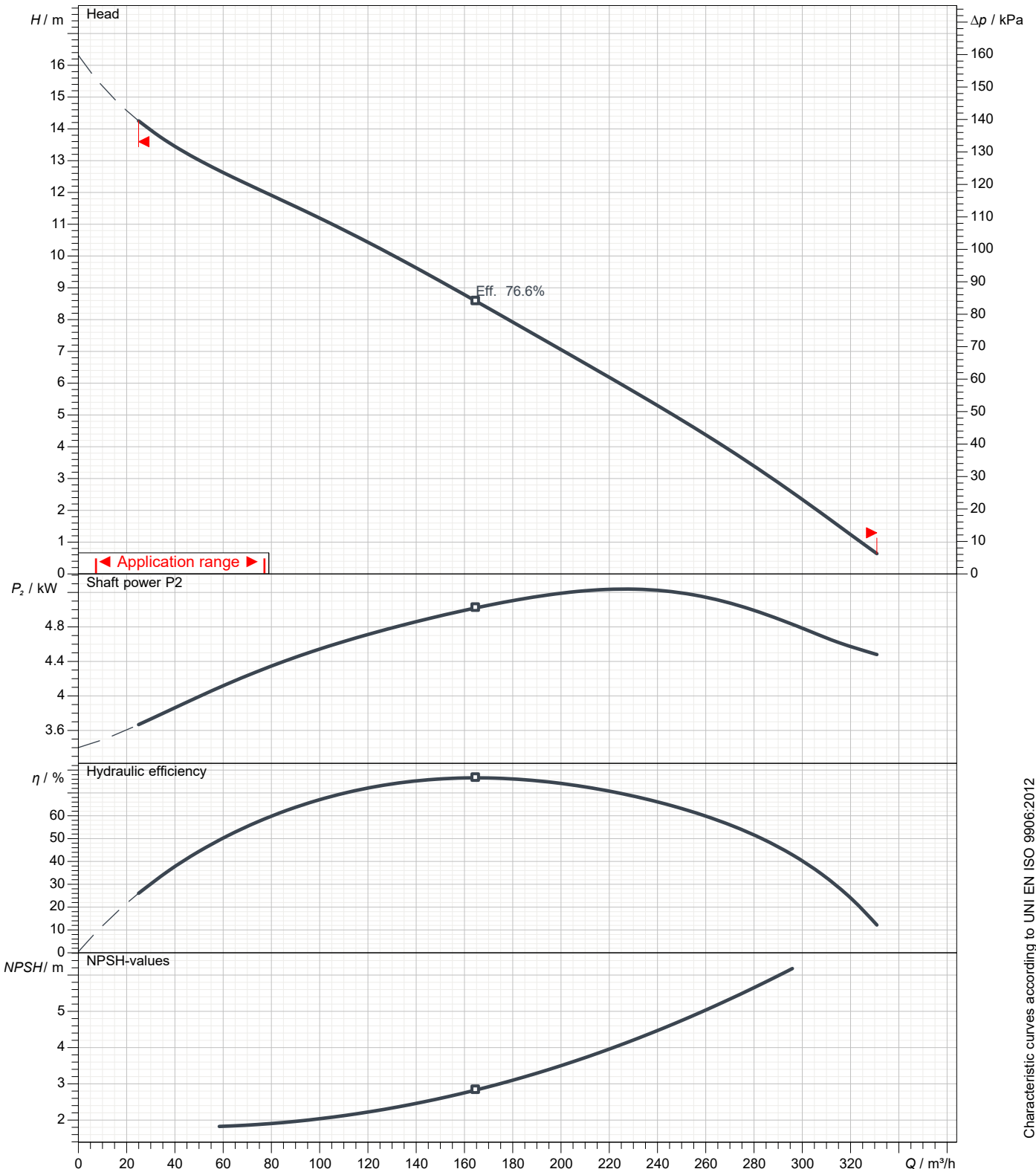
Data sheet DRG 750/4/150 N0FT5

GREY
series

Pump performance curves

3~ 50 Hz

Impeller type Open channel impeller		Free passage 65 x 60 mm	Discharge DN 150	Suction DN 150	
DUTY POINT					
Flow	Head	Shaft power P2	Hydraulic efficiency	Density 998.3 kg/m ³	Viscosity 1.005 mm ² /s



Characteristic curves according to UNI EN ISO 9906:2012
P2<10kW: paragraph 4.4.2
10kW<P2<100kW: Grade 3B
P2>100kW: Grade 2B



better together

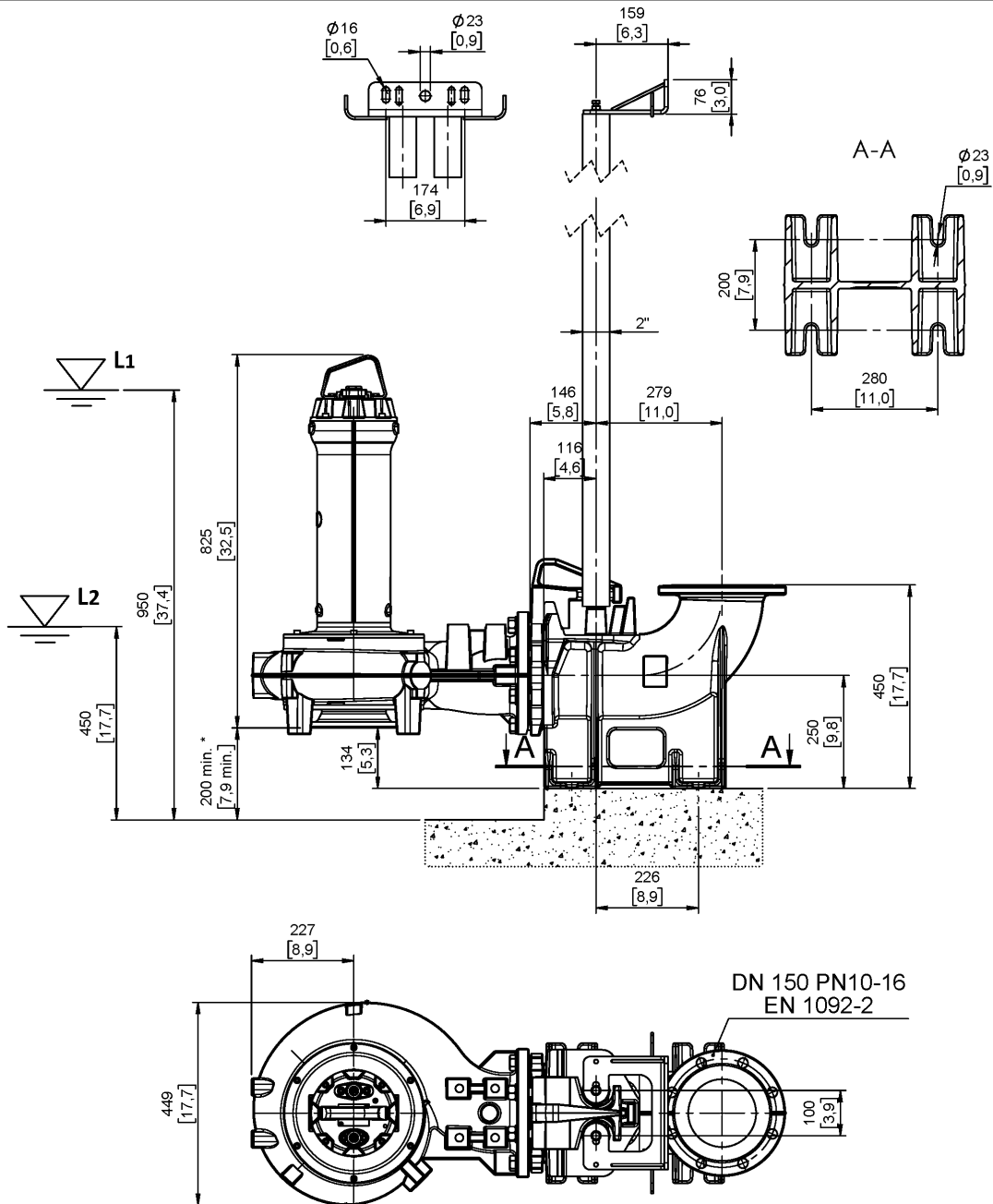
Data sheet DRG 750/4/150 N0FT5

GREY
series

Dimensional drawing

3~ 50 Hz

Installation type P: bottom coupling device - vertical discharge DN150 - guide pipes 2"		
Wet/dry use WET	Drilling variant N	Flushing valve - drilling -
Discharge DN 150 EN 1092-2	Suction DN 150 UNDRILLED	Pressure rating (suction/discharge): -/PN 10
Accessory DAC-R 150/150V+KAF 116-2"[AZ] EN (P)		Accessory code 9001.102
Note: Accessory must be ordered separately		



[mm
[inch]

L1: Minimum operating level for continuous use

L2: Minimum operating level for discontinuous use (excluding -EX/FM models)