

Receiver

From

Company
Reference
Address
Phone
Fax
E-mail

Item n° : 60212597
Customer pos. no.:
Model : ESYBOX MINI 3

Pump data

Pressure rating : 0,75 MPa
SETTABLE CONSTANT PRESSURE FROM 0,1 TO 0,55 MPa
Min. fluid temperature : 0 °C
Max. fluid temperature : 40 °C
Max. Ambient temperature : 50 °C

Requested data

Flow :
Head :
Fluid : Water
Fluid Temperature : 20 °C
Density : 998,3 kg/m³
Kinematic viscosity : 1,005 mm²/s
Vapor pressure : 0,00 MPa

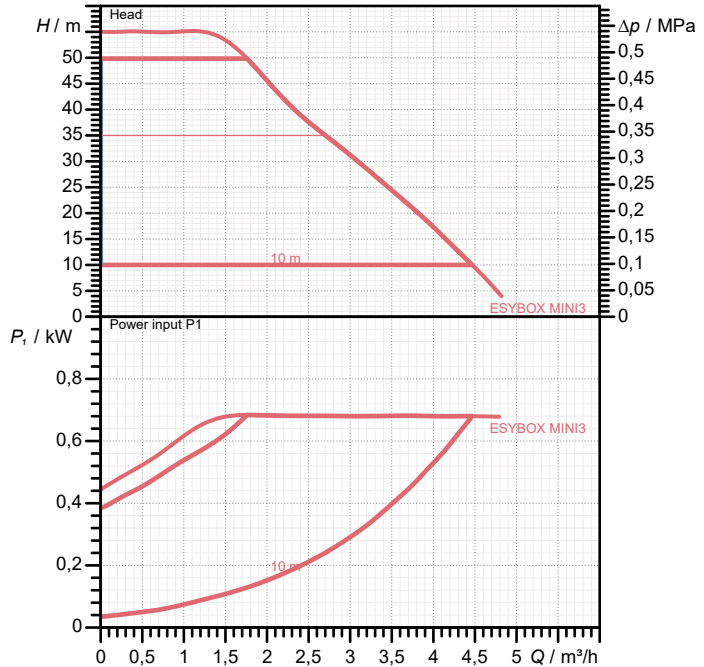
Materials

Motor liner: Stainless Steel AISI 304
O-Ring: NBR
Mechanical seal: Impregnated carbon-resin/Ceramic/NBR
Plugs: PA 6.6 30% FV / PP OMO 30% FV
Suction body: PP OMO 30% GF
Insert: Brass
Spring: AISI 303
Diffuser: Noryl
Impeller: Noryl
Discharge section: PP OMO 30% GF
Non-return valve: Technopolymer/Rubber/Steel
Tank: Technopolymer/Rubber
Pressure sensor body: Technopolymer
Motor body: PP OMO 30% GF
Seal disk: PA 6.6 30% GF
Selfpriming shutter: POM
Heat sink: Brass
Flowmeter wheel: POM

Motor data

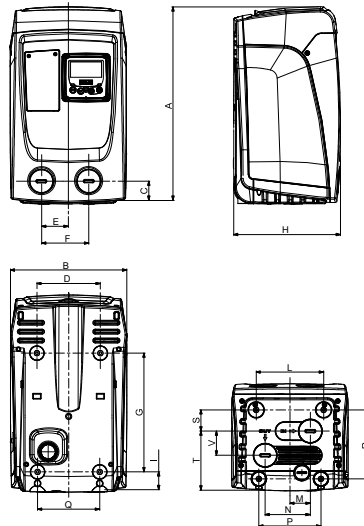
Power input P1 : 0,85 kW
Rated speed : 3.000 1/min
Rated voltage : 1~ 220-240 V 50 Hz
Nominal current : 4,8 A
Degree of protection : IP X4

Curve tolerance according to ISO 9906



Hydraulic data (duty point)

Flow :
Head :



Dimensions in mm

A	439	G	279,5	P	140
B	263	H	236	Q	140
C	46	I	40,5	R	155,5
D	143	L	152	S	47,8
E	60,7	M	46	T	133
F	106,7	N	101,7	V	54,5

Weight : 14,6 kg

Pump connection

Suction side : 1" G / 0,75 MPa
Discharge side : 1" G / 0,75 MPa



WATER • TECHNOLOGY

PERFORMANCE CURVES

2023-09-18

Page 2 / 3

DAB PUMPS S.p.A.
Via Marco Polo, 14 - 35035 Mestrino (PD), Italy
Tel. +39 049 5125000 - Fax +39 049 5125950
www.dabpumps.com

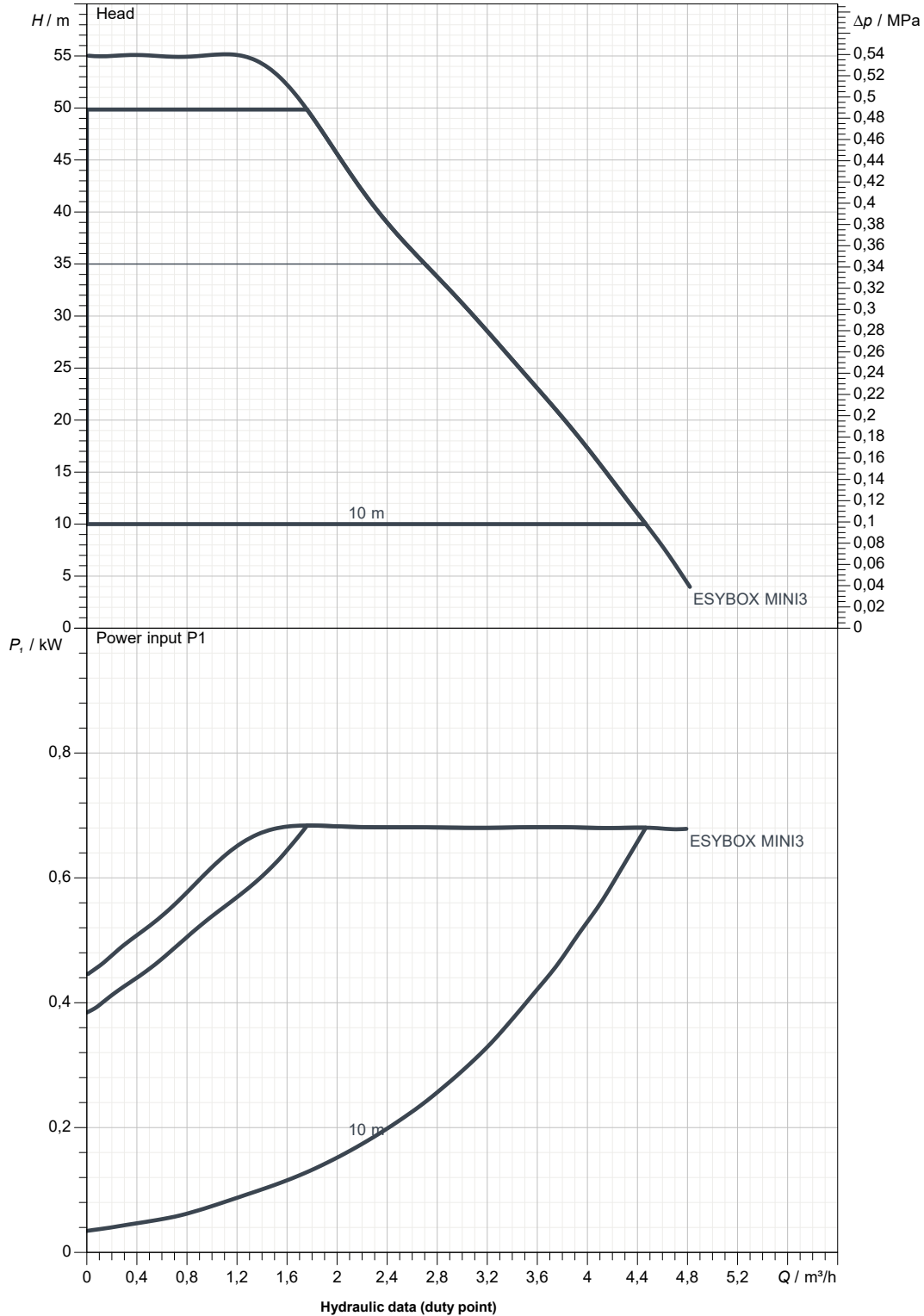
Receiver

From

Company
Reference
Address
Phone
Fax
E-mail

ESYBOX MINI 3

Curve tolerance according to ISO 9906



Suction side :
1" G
0,75 MPa

Discharge side :
1" G
0,75 MPa

Flow :

Head :

Rated speed :
3.000 1/min

MAIN_PROJECT_TITLE

BUSINESS_PROCESS_ID

OWNER_

ISSUE_DATE
2023-09-18



DIMENSIONAL DRAWING

2023-09-18

Page 3 / 3

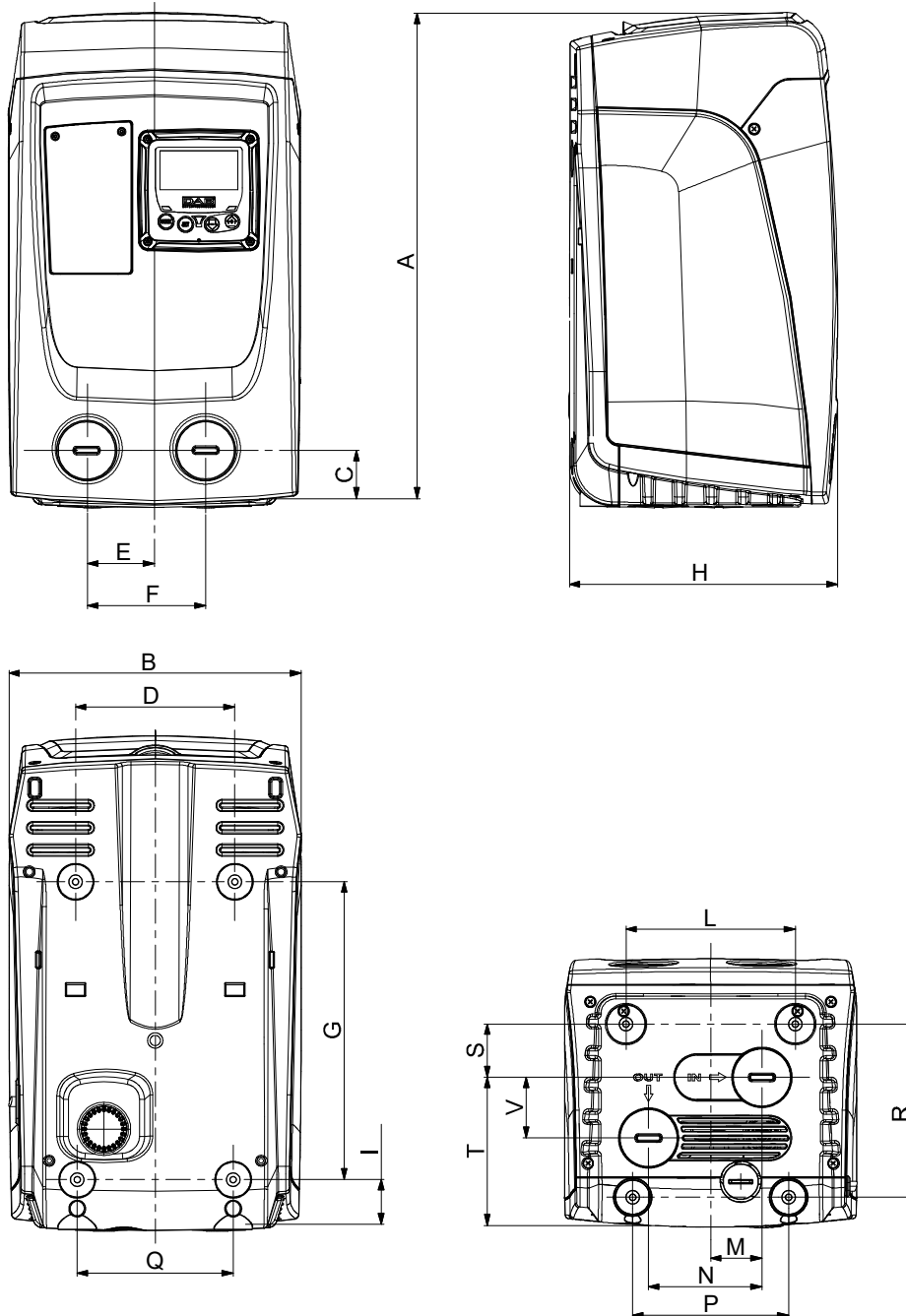
DAB PUMPS S.p.A.
Via Marco Polo, 14 - 35035 Mestrino (PD), Italy
Tel. +39 049 5125000 - Fax +39 049 5125950
www.dabpumps.com

Receiver

From

Company
Reference
Address
Phone
Fax
E-mail

ESYBOX MINI 3



Dimensions in mm

Pump connection

1	A	439	P	140			
2	B	263	Q	140			
3	C	46	R	155,5			Suction
4	D	143	S	47,8			1" G
5	E	60,7	T	133			0,75 MPa
6	F	106,7	V	54,5			
7	G	279,5					Discharge
8	H	236					1" G
9	I	40,5					0,75 MPa
10	L	152					
11	M	46					
12	N	101,7					

MAIN_PROJECT_TITLE

BUSINESS_PROCESS_ID

OWNER

ISSUE_DATE

2023-09-18