

NP 3085 MT 3~ Adaptive 463

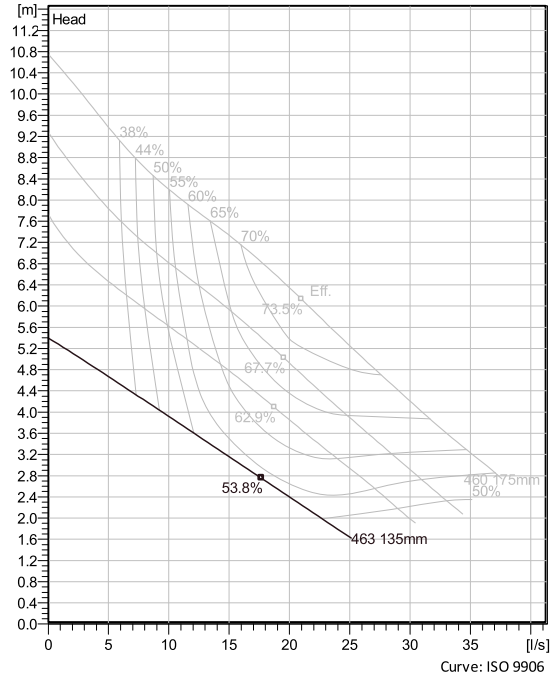
Patented self cleaning semi-open channel impeller, ideal for pumping in most waste water applications. Modular based design with high adaptation grade.



Technical specification



Curves according to: Water, pure Water, pure [100%], 4 °C, 999.9 kg/m³, 1.5692 mm²/s



Configuration

Motor number N3085.160 15-10-4AL-W 1.3KW	Installation type P - Semi permanent, Wet
Impeller diameter 135 mm	Discharge diameter 80 mm

Pump information

Impeller diameter 135 mm
Discharge diameter 80 mm
Inlet diameter 100 mm
Maximum operating speed 1430 rpm
Number of blades 2
Max. fluid temperature 40 °C

Materials

Impeller Grey cast iron
Stator housing material Grey cast iron

Project	Created by	
Block	Created on	10/19/2022
	Last update	10/19/2022

NP 3085 MT 3~ Adaptive 463

Technical specification



Motor - General

Motor number N3085.160 15-10-4AL-W 1.3KW	Phases 3~	Rated speed 1430 rpm	Rated power 1.3 kW
Approval No	Number of poles 4	Rated current 3.1 A	Stator variant 67
Frequency 50 Hz	Rated voltage 400 V	Insulation class H	Type of Duty S1
Version code 160			

Motor - Technical

Power factor - 1/1 Load 0.78	Motor efficiency - 1/1 Load 78.4 %	Total moment of inertia 0.019 kg m ²	Starts per hour max. 30
Power factor - 3/4 Load 0.70	Motor efficiency - 3/4 Load 78.3 %	Starting current, direct starting 19 A	
Power factor - 1/2 Load 0.57	Motor efficiency - 1/2 Load 75.1 %	Starting current, star-delta 6.33 A	

Project
Block

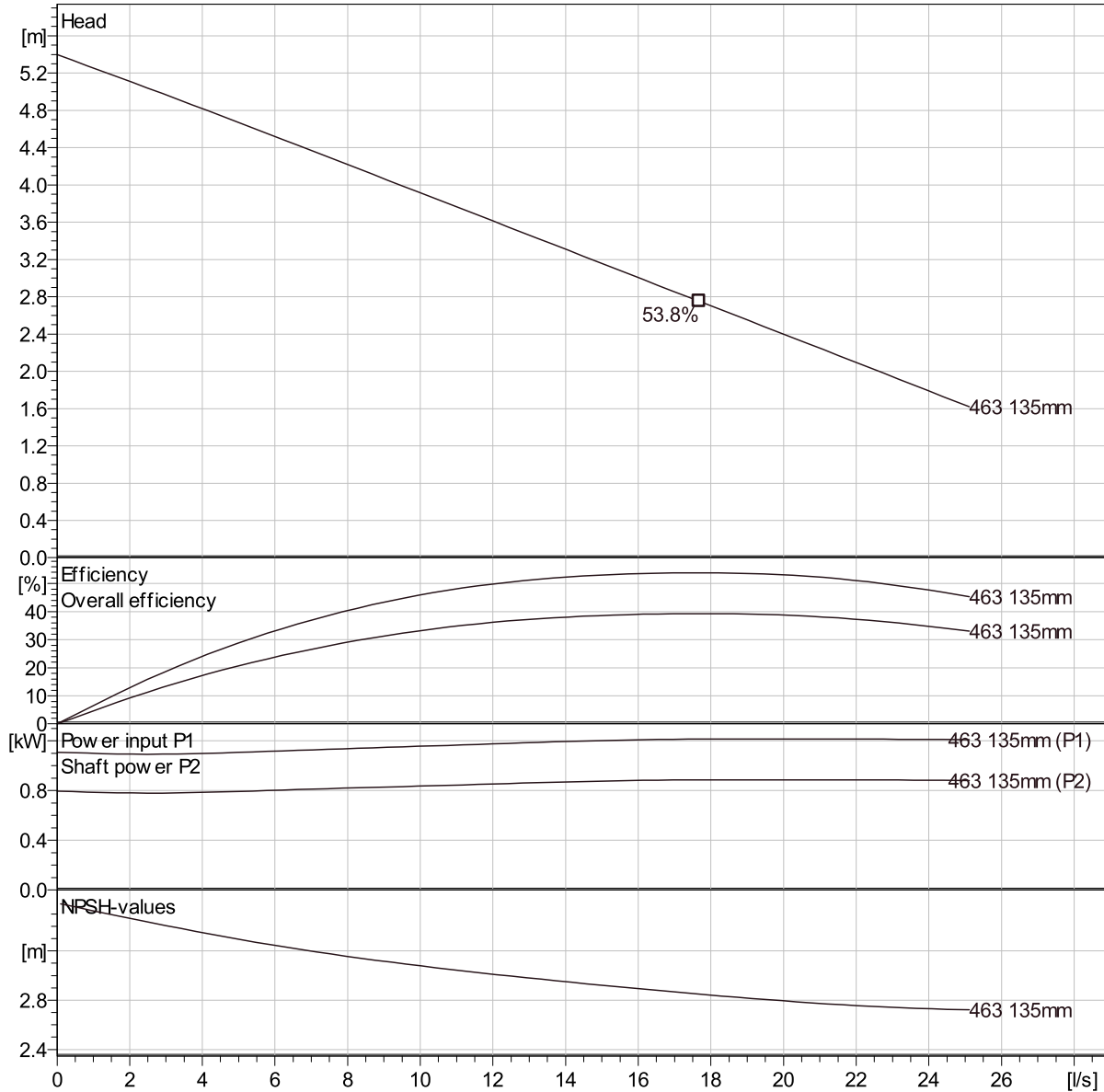
Created by
Created on 10/19/2022 **Last update** 10/19/2022

NP 3085 MT 3~ Adaptive 463

Duty Analysis



Curves according to: Water, pure [100%]; 4°C; 999.9kg/m³; 1.5692mm²/s



Operating characteristics

Pumps / Systems	Flow l/s	Head m	Shaft power kW	Flow l/s	Head m	Shaft power kW	Hydr. eff.	Spec. Energy kWh/m ³	NPSHre m
-----------------	-------------	-----------	-------------------	-------------	-----------	-------------------	------------	------------------------------------	-------------

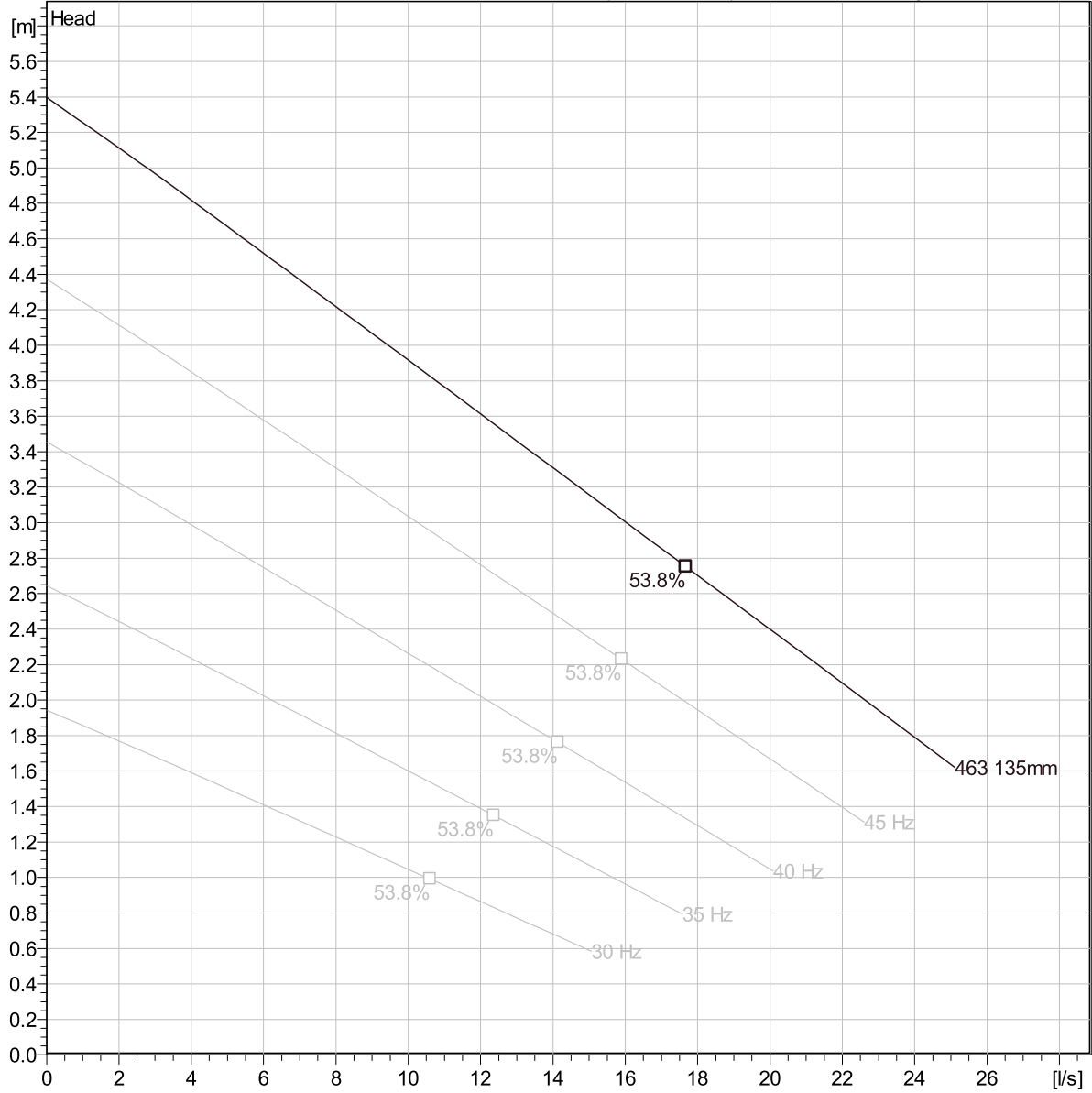
Project	Created by								
Block	Created on	10/19/2022	Last update	10/19/2022					

NP 3085 MT 3~ Adaptive 463

VFD Analysis



Curves according to: Water, pure [100%]; 4°C; 999.9kg/m³; 1.5692mm²/s



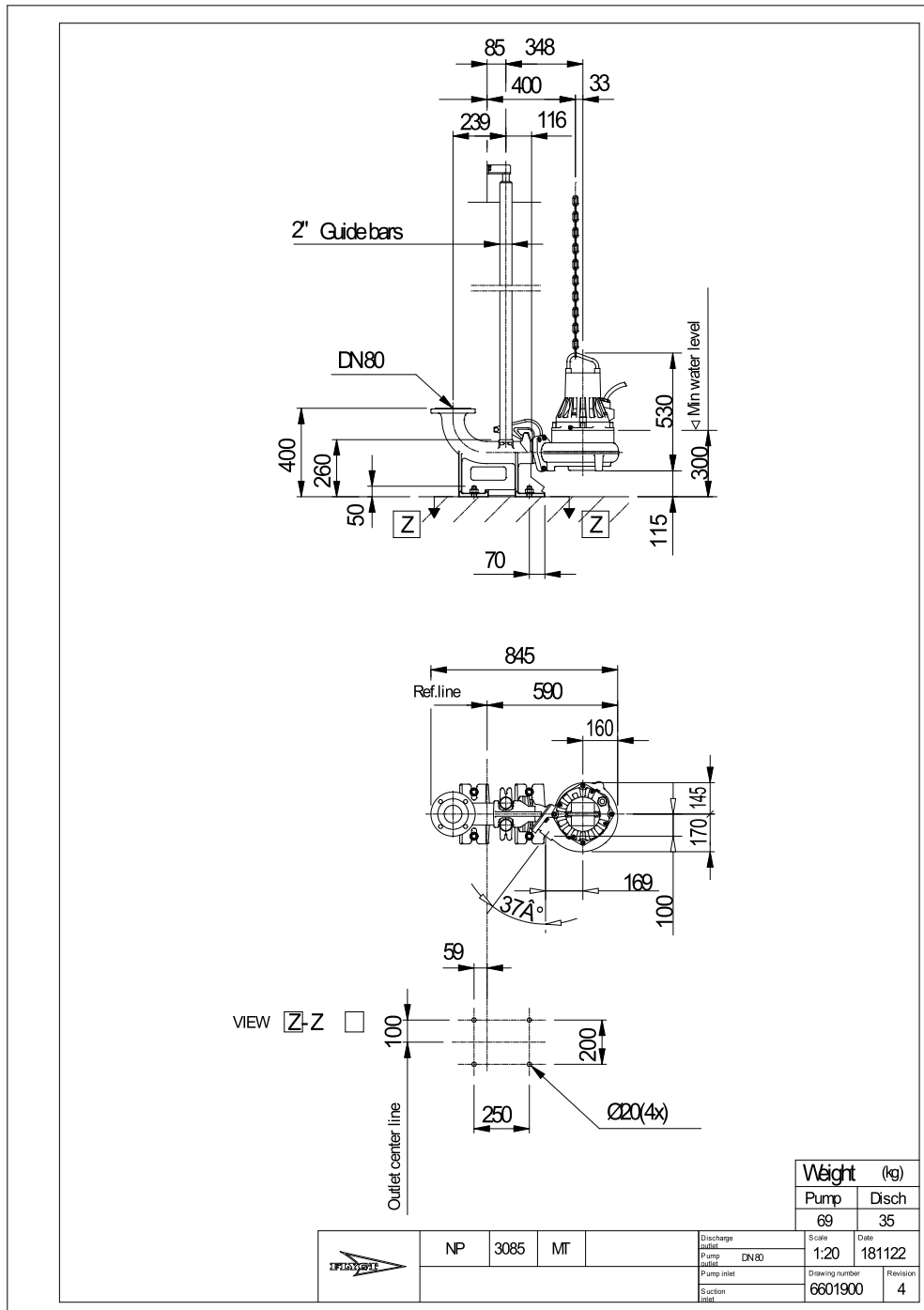
Operating Characteristics

Pumps / Systems	Frequency	Flow	Head	Shaft power	Flow	Head	Shaft power	Hydr. eff.	Specific energy	NPSHre
		l/s	m	kW	l/s	m	kW		kWh/m³	m

Project	Created by		
Block	Created on	10/19/2022	Last update 10/19/2022

NP 3085 MT 3~ Adaptive 463

Dimensional drawing



Project
Block

Created by

Created on 10/19/2022 Last update

10/19/2022