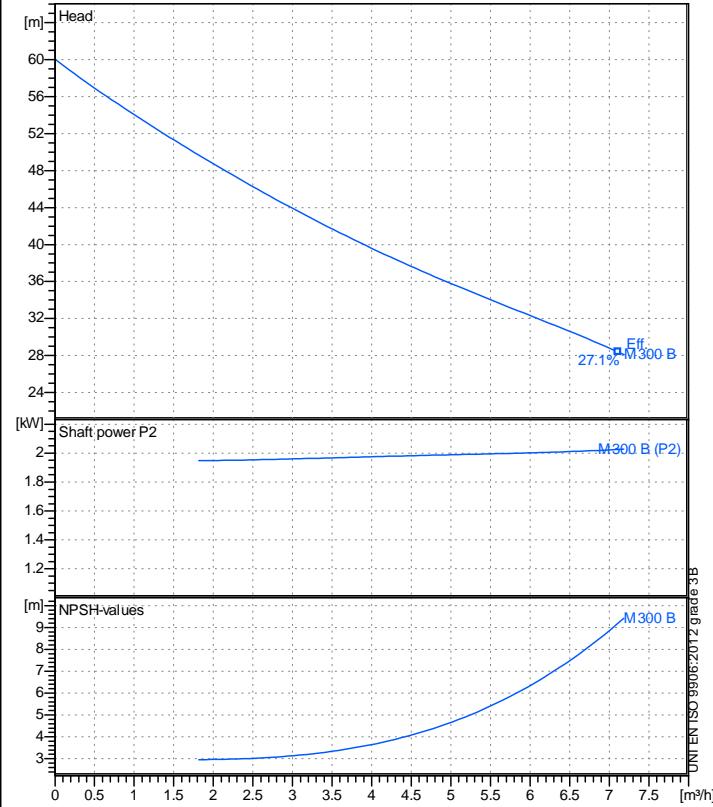


Receiver

From

 Company name
 Respons. Department
 Person in charge
 Phone number
 Fax no
 E-mail address

Operating data specification

Nominal flow	m ³ /h 0
Nominal head	m 0
Static head	m 0
NPSH - v alue of plant	m 0
Inlet pressure	bar 0.09793
Fluid	Water, pure
Operating temperature t A	°C 20
Density at t A	kg/dm ³ 0.9983
Kin. viscosity at t A	mm ² /s 1.005

Pump

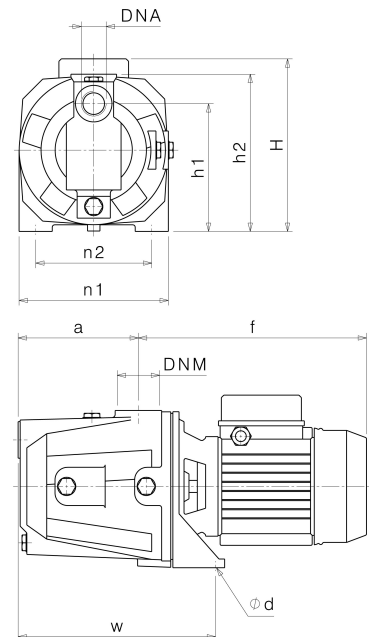
Pump name	M 300 B		
Size			
Design			
Speed 1/min	2850	No of stages	1
Impeller type			
Flow	Nominal	m ³ /h	
	Max-	m ³ /h 7.19	
	Min-	m ³ /h 0	
Head	Nominal	m	
	Max-	m 60	
	Min-	m 28.1	
Head H(Q=0)	m 60		
NPSH 3%	m		
Max. working pressure	bar 5.88		
Shaft power	kW		
Efficiency	%		
Max absorbed power	kW 2.0285		

Materials Pump

Pump body	Cast iron G20
Plug	Brass
Gasket	Aluminium
Nut	Brass
Impeller	Brass
Rotating mechanical seal	Graphite
Fixed mechanical seal	Ceramic
OR	Rubber NBR
Seal retaining disc	Stainless steel AISI 304

Dimensions in mm

a	160.5
b	168.5
DNA	G 1 1/2"
DNM	G 1 1/4"
f	246.5
H	235
h1	120
h2	233
n1	180
n2	228
od	11
w	180



Motor	Frame size	90 S		
Manufacturer / Type	SAER 90 S 2 - 1,5 1~			
Rated power	kW 1.5	Efficiency 4/4	0 %	
Electric current	A 11.5 A	Speed	1/min 2950	
Electric voltage	V 230 V	1~	Hz 50	
Starting mode	Unknown			
Degree of protection	IP 44	Insulation class	F	

Remarks:

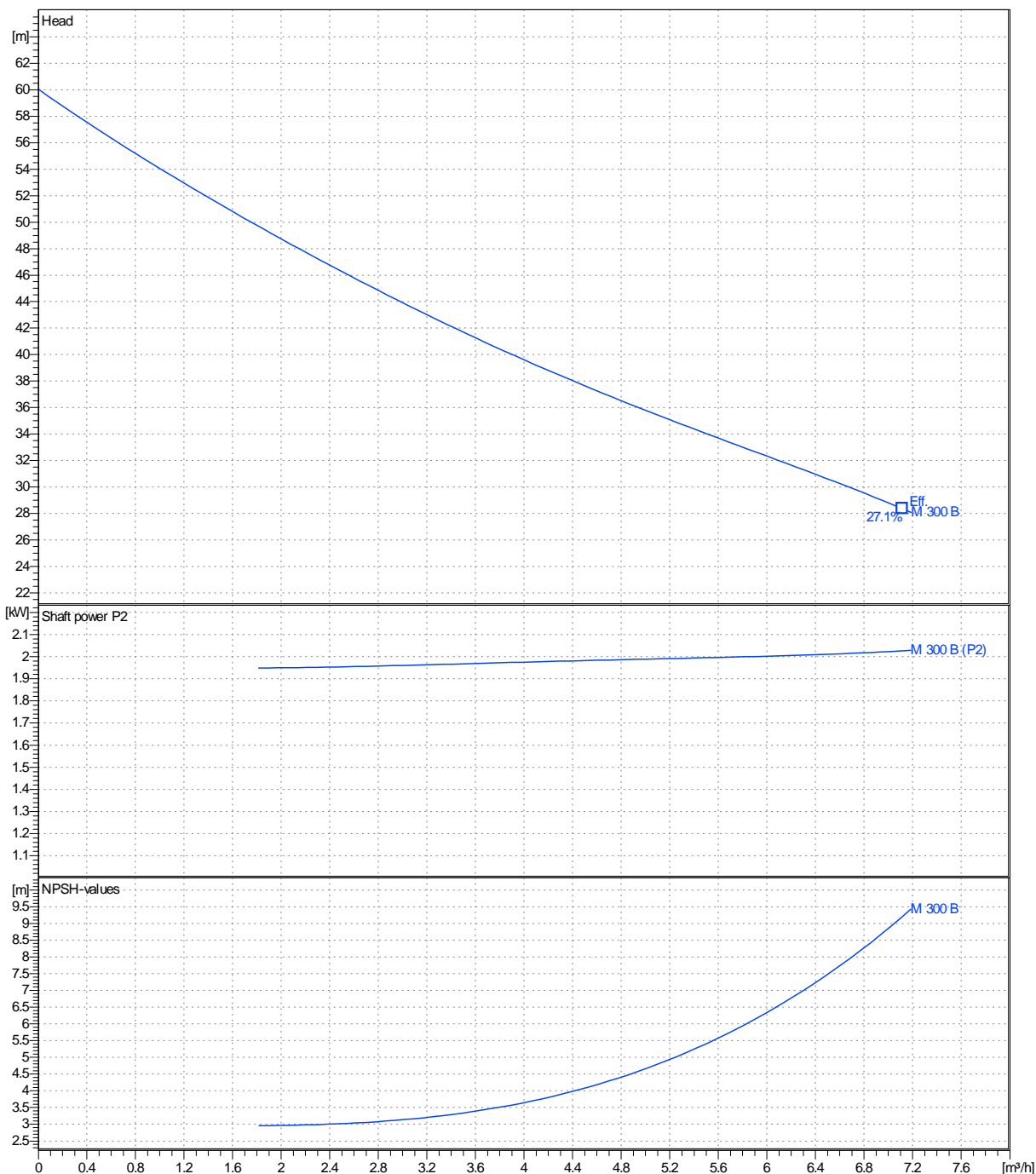
Project	Project ID	Created by	Created on	Last update
			2023-02-01	

	Receiver	From
Company name		
Respons. Department		
Person in charge		
Phone number		
Fax no		
E-mail address		

Operating area	Flow	Head	Impeller type
Operating data specification	0 m ³ /h	0 m	Impeller construction
Pump data	m ³ /h	m	Sense of rotation
			Clockwise from the drive end
			Outlet width
			G1?"
	Flow	Head	Shaft power P2
	Min. Max. η Max.	H(Q=0) η Max.	P2(Q=0) Max. η Max.
	m ³ /h m ³ /h m ³ /h	m m	kW kW kW
	0 7.19 7.11	60 28.4	2.03 2.03
			Speed 1/min 2850
			Frequency Hz 50 Hz

 Performance data based to: Water, pure [100%]; 20°C; 0.998kg/dm³; 1mm²/s

UNI EN ISO 9906:2012 - Grade 3B



Project	Project ID	Created by	Created on 2023-02-01	Last update
---------	------------	------------	---------------------------------	-------------