

NZ 3231/706 3~ 480

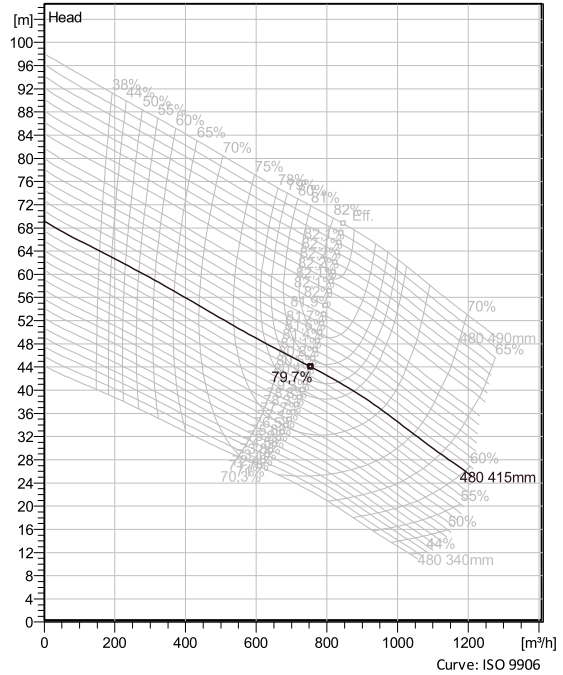
Patented self cleaning semi-open channel impeller, ideal for pumping in most waste water applications. Modular based design with high adaptation grade.



Technical specification



Curves according to: Water, pure Water, pure [100%], 4 °C, 999,9 kg/m³, 1,5692 mm²/s



Configuration

Motor number N0706.000 43-30-4ID-D IE3 125KW	Installation type Z - Horizontal Permanent, Dry, IP68
Impeller diameter 415 mm	Free pass. 100 mm

Configuration

Pump information

Impeller diameter 415 mm
Discharge diameter 200 mm
Inlet diameter 250 mm
Maximum operating speed 1480 rpm
Number of blades 3
Max. fluid temperature 40 °C

Material

Impeller Hard-Iron

Project	Xylect-20302002	Created by	
Block		Created on	3/17/2023
		Last update	3/17/2023

NZ 3231/706 3~ 480

Technical specification



Motor - General

Motor number N0706.000 43-30-4ID-D IE3 125KW	Phases 3~	Rated speed 1480 rpm	Rated power 125 kW
Approval No	Number of poles 4	Rated current 225 A	Stator variant 1
Frequency 50 Hz	Rated voltage 400 V	Insulation class H	Type of Duty S1
Version code 000	Closed loop cooling system		

Motor - Technical

Power factor - 1/1 Load 0,84	Motor efficiency - 1/1 Load 95,6 %	Total moment of inertia 2,16 kg m ²	Starts per hour max. 15
Power factor - 3/4 Load 0,79	Motor efficiency - 3/4 Load 96,4 %	Starting current, direct starting 1300 A	
Power factor - 1/2 Load 0,69	Motor efficiency - 1/2 Load 96,8 %	Starting current, star-delta 435 A	

Project Xylect-20302002
Block

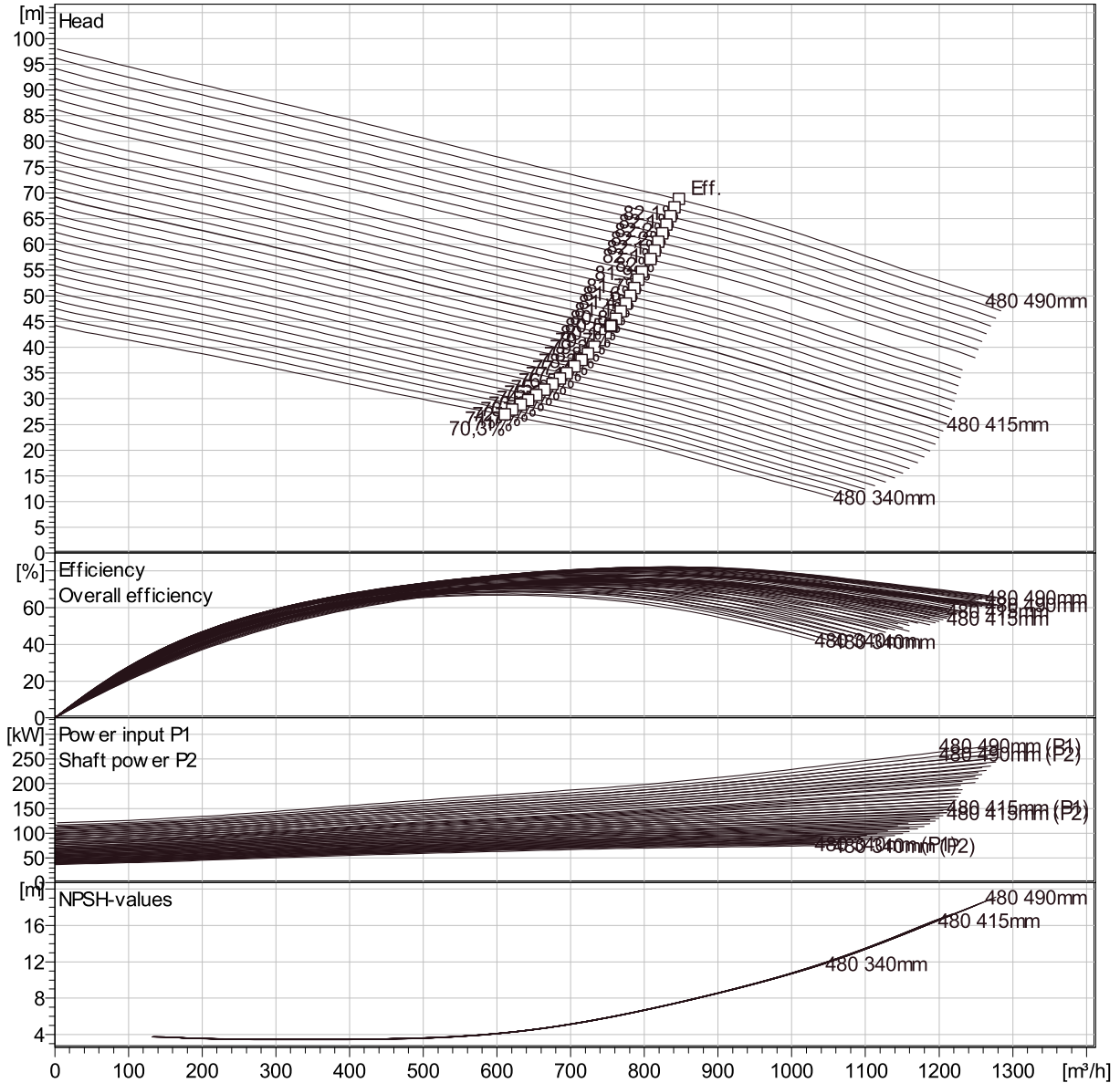
Created by
Created on 3/17/2023 **Last update** 3/17/2023

NZ 3231/706 3~ 480

Duty Analysis



Curves according to: Water, pure [100%]; 4°C; 999,9kg/m³; 1,5692mm²/s



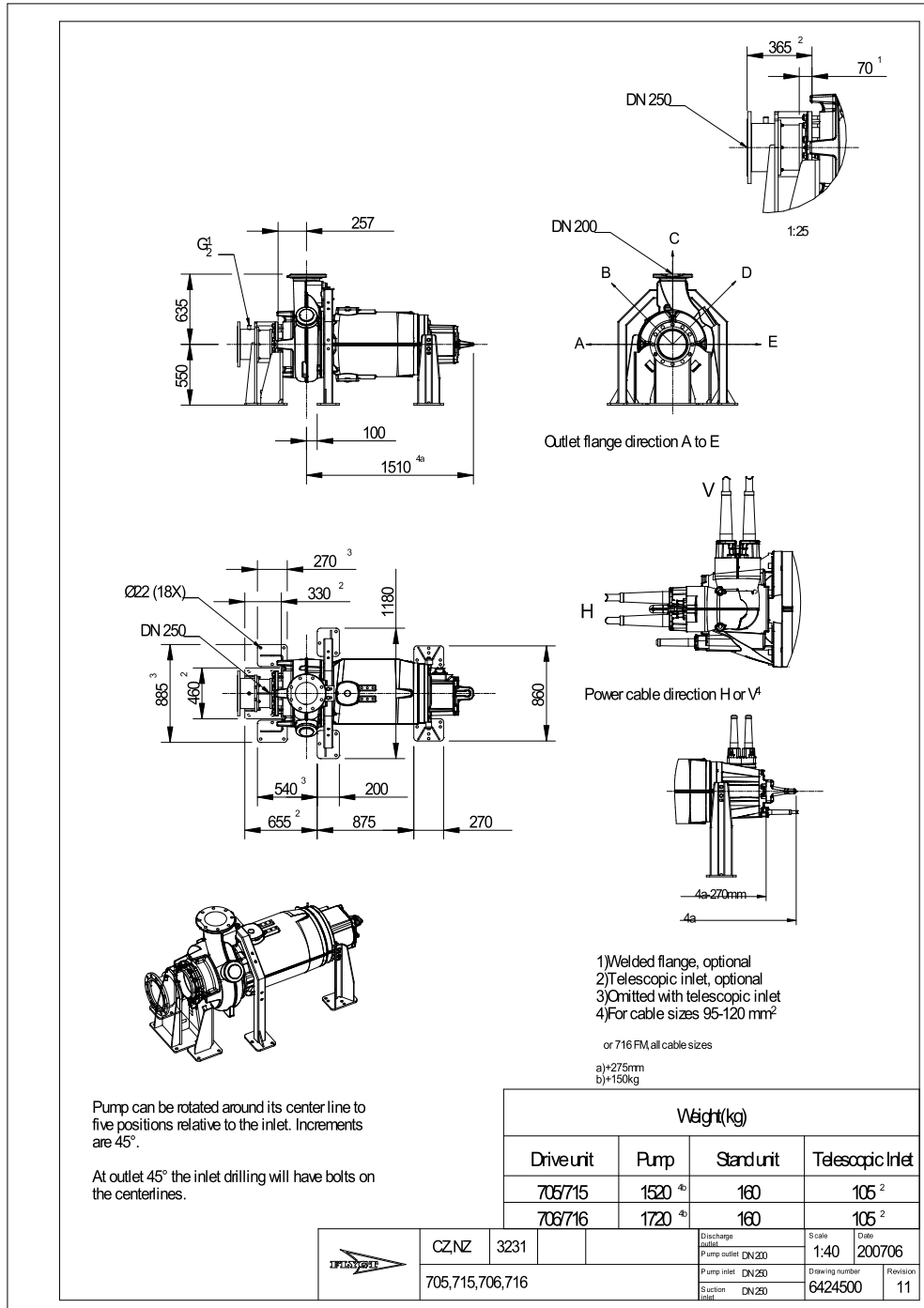
Operating characteristics

Pumps / Systems	Flow m³/h	Head m	Shaft power kW	Flow m³/h	Head m	Shaft power kW	Hydr. eff.	Spec. Energy kWh/m³	NPSHre m
-----------------	--------------	-----------	-------------------	--------------	-----------	-------------------	------------	------------------------	-------------

Project		Created by	
Block	Xylect-20302002	Created on	3/17/2023
		Last update	3/17/2023

NZ 3231/706 3~ 480

Dimensional drawing



Project Xylect-20302002
Block

Created by
Created on 3/17/2023 **Last update** 3/17/2023