



VN-VL SERIES 50-60 HZ

5" STAINLESS STEEL CLOSE-COUPLED MULTISTAGE ELECTRIC PUMPS



INDEX

VN - 5" Stainless steel close-coupled submersible multistage electric pumps	2
VL - 5" Close-coupled multistage pumps with in-line nozzles	2
Features and benefits.....	2
Family curves.....	3
Pump identification code.....	4
General features	5
Spare parts and materials	6
Performance selection	7
Technical data and performance curves at 50 Hz	9
Hydraulic performance.....	9
VN/VL 3	10
VN/VL 5	12
VN/VL 9	14
Technical data and performance curves at 60 Hz	17
Hydraulic performance.....	17
VN/VL 3	18
VN/VL 5	20
VN/VL 9	22
Ordering information	24
VN 50 Hz.....	24
VN 50 Hz - ACS Version	24
VN 60 Hz.....	25
VL 50 Hz	25
VL 60 Hz	26

NOTE: Franklin Electric S.r.l. reserves the right to amend specification without prior notice

For the most up-to-date product information, visit franklinwater.eu.

VN - 5" STAINLESS STEEL CLOSE-COUPLED SUBMERSIBLE MULTISTAGE ELECTRIC PUMPS VL - 5" CLOSE-COUPLED MULTISTAGE PUMPS WITH IN-LINE NOZZLES

FEATURES AND BENEFITS

APPLICATIONS



Water Distribution
Pressure Boosting



Rainwater Recovering



Irrigation, Gardening,
Sprinklers



Wash down unit



Slightly corrosive
liquids

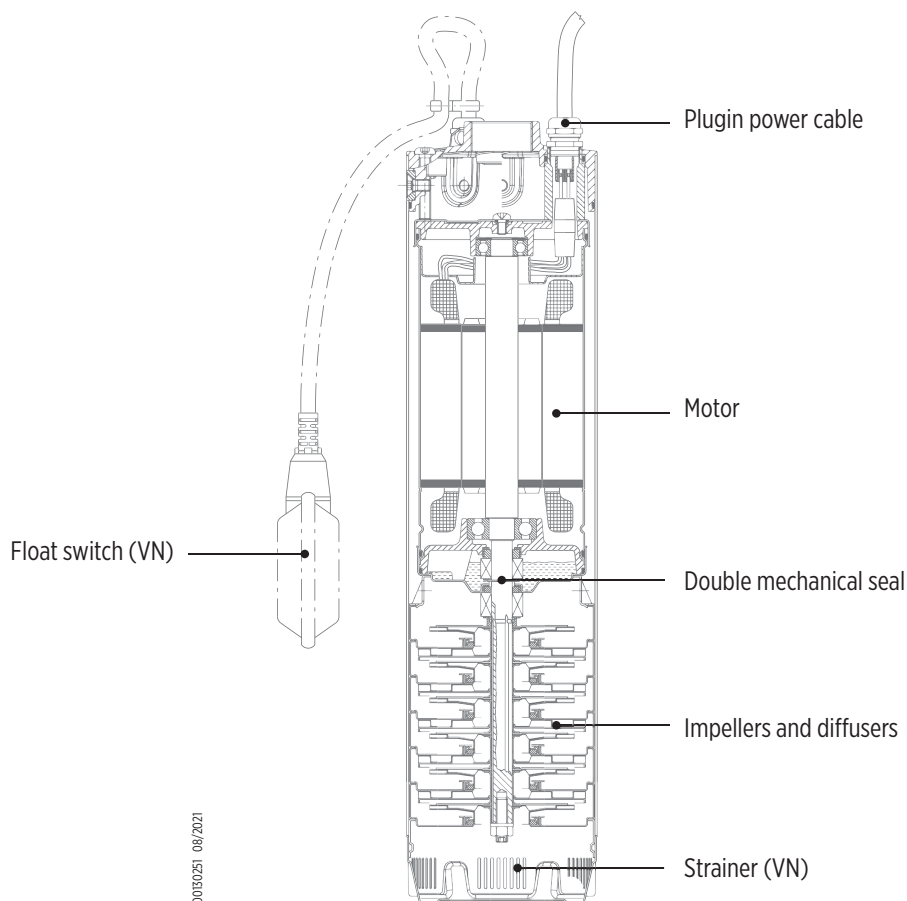
COMPACT CLOSE-COUPLED DESIGN

- Compact close-coupled design, robust and corrosion resistant
- Plug-in type power cable and level control (float) for easy replacement
- Electric pump fitted with threaded connections to allow for easy installation in narrow spaces or, more simply, in line with the pipeline
- Continuous operating either in vertical or horizontal position

HIGH QUALITY MATERIALS

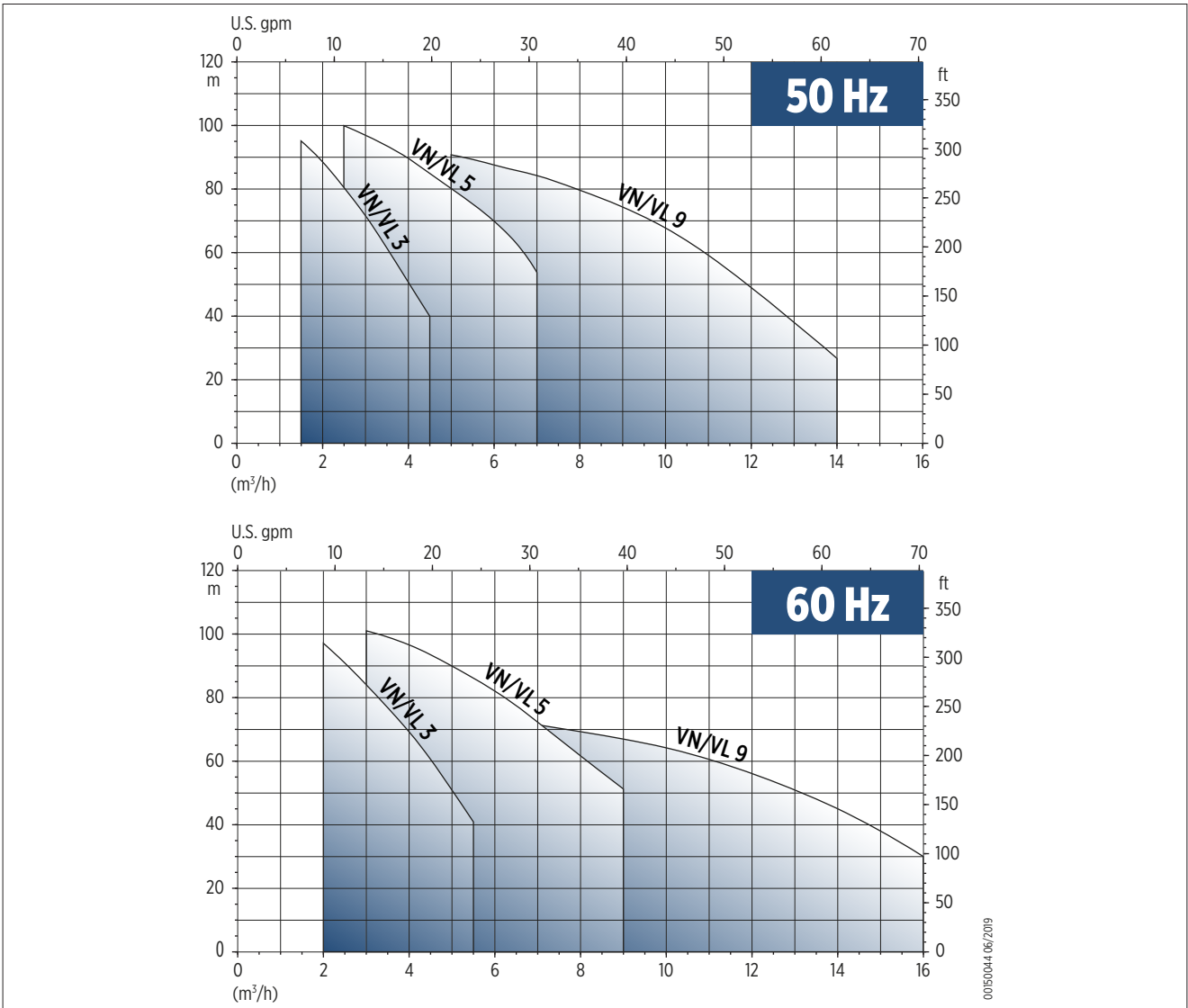
- Heavy duty over size motor shaft
- Stainless steel water proof capsule to protect the motor
- Double mechanical seal separated by an oil chamber* for maximum motor protection

*In compliance with FDA - Food, Drug Administration - and the annex to G.U. no. 104 of 20/04/73 for oils in contact with food stuffs

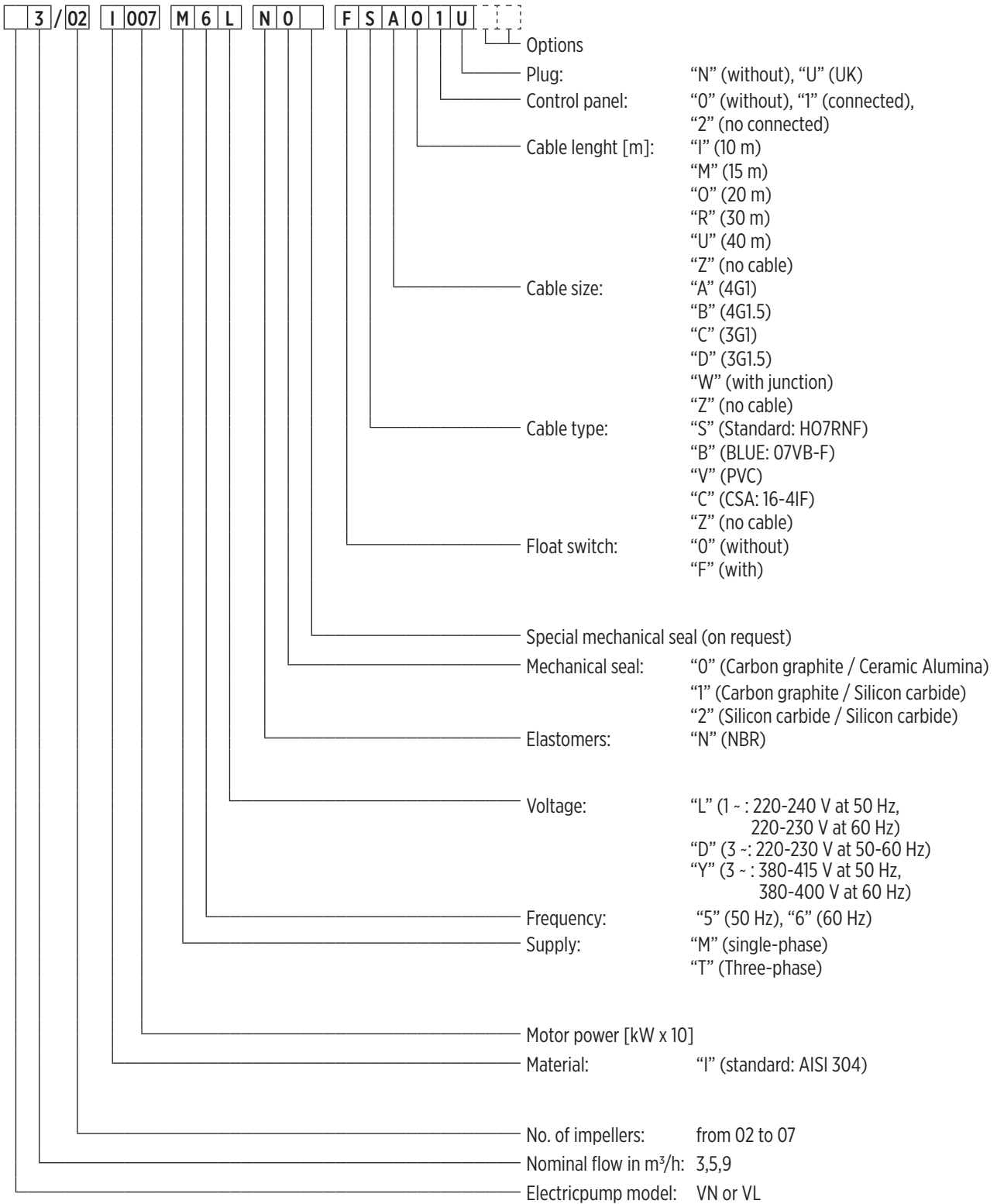


00150251 08/2021

FAMILY CURVES




PUMP IDENTIFICATION CODE



0040075/08/2021

GENERAL FEATURES

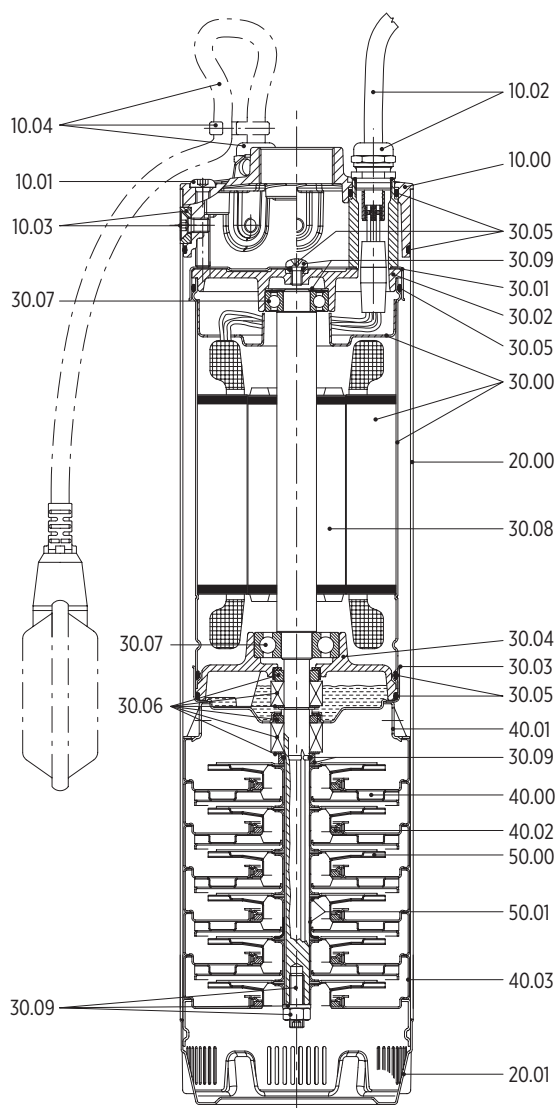
Model		3	5	9	3	5	9
Frequency:		50 Hz			60 Hz		
Nominal flow [m ³ /h]		3	5	9	3	5	9
Liquid temperature range [°C]		-5 / +40					
Max. D hydraulic [%]		42.3	56.2	62	42.3	56.2	62
Range [m ³ /h]		1.5 - 4.5	2.5 - 7.0	5.0 - 14.0	2.0 - 5.5	3.0 - 9.0	6.0 - 16.0
Max. head [m]		98.5	100	91	97	101	74
Pressione max. [bar]	VN	12					
	VL	15					
Discharge outlet/Connection:	VN	1"½ Rp					
	VL	Rp threaded for inlet and outlet					
Maximum immersion depth [m]:		VN 20					
Maximum allowable amount of sand/ Maximum solids size:		VN 50 g/m ³ , up to 2 mm					
Power cable:		2 m, type H07RN F					
Options single-phase version:	VN	with float switch					
		without float switch					
Motor power [kW]:		0.55 - 1.5	0.75 - 2.2	1.1 - 3.0	0.55 - 1.5	0.75 - 2.2	1.1 - 3.0
Motor type:		Asynchronous Protection degree: IP68 Insulation class: F					
Motor standard voltage:	Single-phase (thermal protection built into the motor up to 1.1 kW)	220-240 V ± 5 %			220-230V ± 5 %		
	Three-phase (thermal protection to be provided into the starter panel by the Installer)	220-240 V ± 5 % 380-415 V ± 5 %			220-230V ± 5 % 380-400V ± 5 %		
Motor frequency of starts:		max. 40 starts/hour (with min. 1 minutes resting time)					
Certificates		 * for ACS part number see in Ordering information table			-		

SPARE PARTS AND MATERIALS

SPARE PARTS LIST

Ref. No.	Part description
10.00	Discharge head
10.01	Screws for pre-loading assembly
10.02	Power cable assembly
10.03	Screws and inserts
10.04	Level control assembly
20.00	Outer case
20.01	Suction head
30.00	Motor housing and stator
30.01	Upper motor cover
30.02	Upper bearing housing
30.03	Lower motor cover
30.04	Lower bearing cover
30.05	O-Ring
30.06	Mechanical seals
30.07	Ball bearings
30.08	Rotor and pump shaft
30.09	Screws, nut and washers
40.00	Stage housing with di user
40.01	Spacer
40.02	Floating neck ring assembly
40.03	Initial stage housing
50.00	Impeller
50.01	Impeller spacers

NOTES: For VN-VL 9, diffusers = impellers + 1
 Ex. VN-VL 9/4 = 4 impellers and 5 diffusers



00000005 06/2017

PARTS IN CONTACT WITH LIQUID

Ref. No.	Part description	Material	Standard	
			AISI / ASME	DIN / EN
10.00	Discharge head	Nickel plated brass	-	UNI-EN 12165-98
20.00	Outer case	Stainless steel	AISI 304	1.4301
20.01	Suction head	Stainless steel	AISI 304	1.4301
30.00	Motor housing	Stainless steel	AISI 304	1.4301
30.01 / 30.03	Motor housing cover	Stainless steel	AISI 304	1.4301
30.05	Kit O-ring	NBR	-	-
30.06	Mechanical seal	Ceramic alumina / Carbon graphite / NBR	-	-
		Silicon carbide / Carbon graphite / NBR	-	-
30.08	Pump shaft	Stainless steel	AISI 304	1.4301
30.09	Screws and washer	Stainless steel	AISI 304	1.4301
40.00 / 40.01 / 40.03	Diffusers	Stainless steel	AISI 304	1.4301
40.02	Floating neck ring assembly	PPS	-	-
50.00 / 50.01	Impellers with spacers	Stainless steel	AISI 304	1.4301



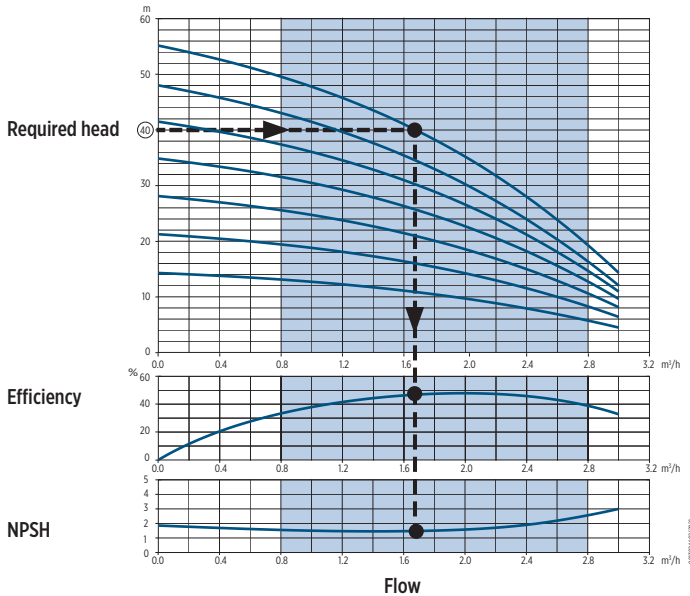
PERFORMANCE SELECTION

This section describes **how to select the pump model that better suits your needs.**

The required information are:

- The required flow
- The input and output pressure
- The fluid features (density, viscosity, temperature, chemical aggressiveness and presence of abrasive particles)
- The connection type

Check if the pump piping type selected is able to withstand the maximum working pressure required (pump nominal pressure $P_N \geq$ application nominal pressure).



The difference between the outlet required pressure and the input pressure allows to determine the head the pump must supply to the fluid. The duty point is determined crossing the values of flow and head.

For the best selection of multistage pump, proceed in this way:

1. Select the pump family according to the requested flow (close as much as possible to the best efficiency point).
2. Choose the number of stages nearest to the requested head.
3. Draw a vertical line from duty point to determine the absorbed power, the pump efficiency and the NPSH required.

If the viscosity of fluid is significantly different from clean water at ambient temperature, it's necessary to change the selection parameters (contact the manufacturer). Moreover, in case the density or viscosity are higher than water values, it will be necessary to consider a higher power sizing (contact the manufacturer).

NPSH check:

The available pump input NPSH value must be compared with the pump required value in order to avoid performance losses and wearing of the pump.

The maximum height of the pump from the liquid level (H) can be calculated with the following formula:

$$H = p_b \times 10.2 - NPSH - H_f - H_v - H_s$$

Where:

p_b : Absolute barometric pressure or absolute pressure of the liquid on suction side [bar].

NPSH: Suction head at maximum duty flow rate [m]

H_f : Pressure drop in the suction pipe at maximum flow rate [m]

H_v : Vapour pressure [m] depending on the temperature of the liquid [m]

H_s : Safety margin [m] (minimum 0.5)

If the calculated value is less than "0", the pump must be positioned below the liquid level by the value of H.

TECHNICAL DATA AND PERFORMANCE CURVES AT 50 HZ

HYDRAULIC PERFORMANCE

Electric pump model	RATED POWER		Q = DELIVERY													
			l/min 0	16.6	25.0	33.3	41.7	50.0	75.0	83.3	100.0	125.0	150.0	183.3	233.3	266.7
			m ³ /h 0	1	1.5	2	2.5	3	4.5	5	6	7.5	9	11	14	16
	US gmp 0	4.4	6.6	8.8	11.0	13.2	19.8	22.0	26.4	33.0	39.6	48.4	61.6	70.4		
[kW]	[HP]	H = HEAD METERS COLUMN OF WATER [m]														
VN-VL 3/3	0.55	0.75	34		30.5	28.5	26	24	14							
VN-VL 3/4	0.55	0.75	45		40	37.5	34	31	18							
VN-VL 3/5	0.75	1	56		49	46	42	38	22							
VN-VL 3/6	0.75	1	66		58.5	54	49	44	25							
VN-VL 3/7	0.9	1.2	77		67	62	56	50	28							
VN-VL 3/8	1.1	1.5	87		75.5	70	63	56	31							
VN-VL 3/9	1.5	2	99		87	80.5	73	65	37							
VN-VL 3/10	1.5	2	109		95	88	80	71	40							
VN-VL 5/4	0.75	1	46				40.5	39	34.5	33	28	18.5				
VN-VL 5/5	0.9	1.2	57				50	48	42	40	34	22				
VN-VL 5/6	1.1	1.5	67.5				58.5	56.5	49	46	39	24				
VN-VL 5/7	1.5	2	79				69	67	58.5	55	47	30				
VN-VL 5/8	1.5	2	90				78	75.5	65	61.5	52	32.5				
VN-VL 5/9	2.2	3	103				91	88	77	73.5	63	41.5				
VN-VL 5/10	2.2	3	114				100	97	85	80.5	69	45				
VN-VL 9/3	1.1	1.5	35							31	30	28	25.5	21	10	
VN-VL 9/4	1.5	2	47							41	39.5	37	34	28	13	
VN-VL 9/5	2.2	3	59							52.5	51	48	44.5	37	18	
VN-VL 9/6	2.2	3	70.5							62	60	56.5	52	42.5	20	
VN-VL 9/7	3	4	82.5							73	70	66	61	50	24	
VN-VL 9/8	3	4	94							82	79	74	68	55	25.5	
VN-VL 9/9	3	4	105							91	87	82	74.5	60	26.5	

VN/VL 3 - 50 HZ

TECHNICAL DATA

Electric pump model		Number of stages	MOTOR POWER		INPUT POWER	Capacitor		RATED CURRENT		
			[kW]	[HP]		μ F	V	Single-phase 220-240 V	Three-phase 220-230 V 380-415 V	
VN-VL 3/3	VN-VL 3/3T	3	0.55	0.75	0.71	20	450	3.6	3.2	1.8
VN-VL 3/4	VN-VL 3/4T	4	0.55	0.75	0.84	20	450	4.1	3.5	2
VN-VL 3/5	VN-VL 3/5T	5	0.75	1	0.99	20	450	4.7	3.6	2.1
VN-VL 3/6	VN-VL 3/6T	6	0.75	1	1.15	20	450	5.2	4.0	2.3
VN-VL 3/7	VN-VL 3/7T	7	0.9	1.2	1.34	30	450	6.7	4.3	2.5
VN-VL 3/8	VN-VL 3/8T	8	1.1	1.5	1.5	30	450	7.2	4.7	2.7
VN-VL 3/9	VN-VL 3/9T	9	1.5	2	1.73	35	450	9.2	5.2	3
VN-VL 3/10	VN-VL 3/10T	10	1.5	2	1.89	35	450	9.8	5.5	3.2

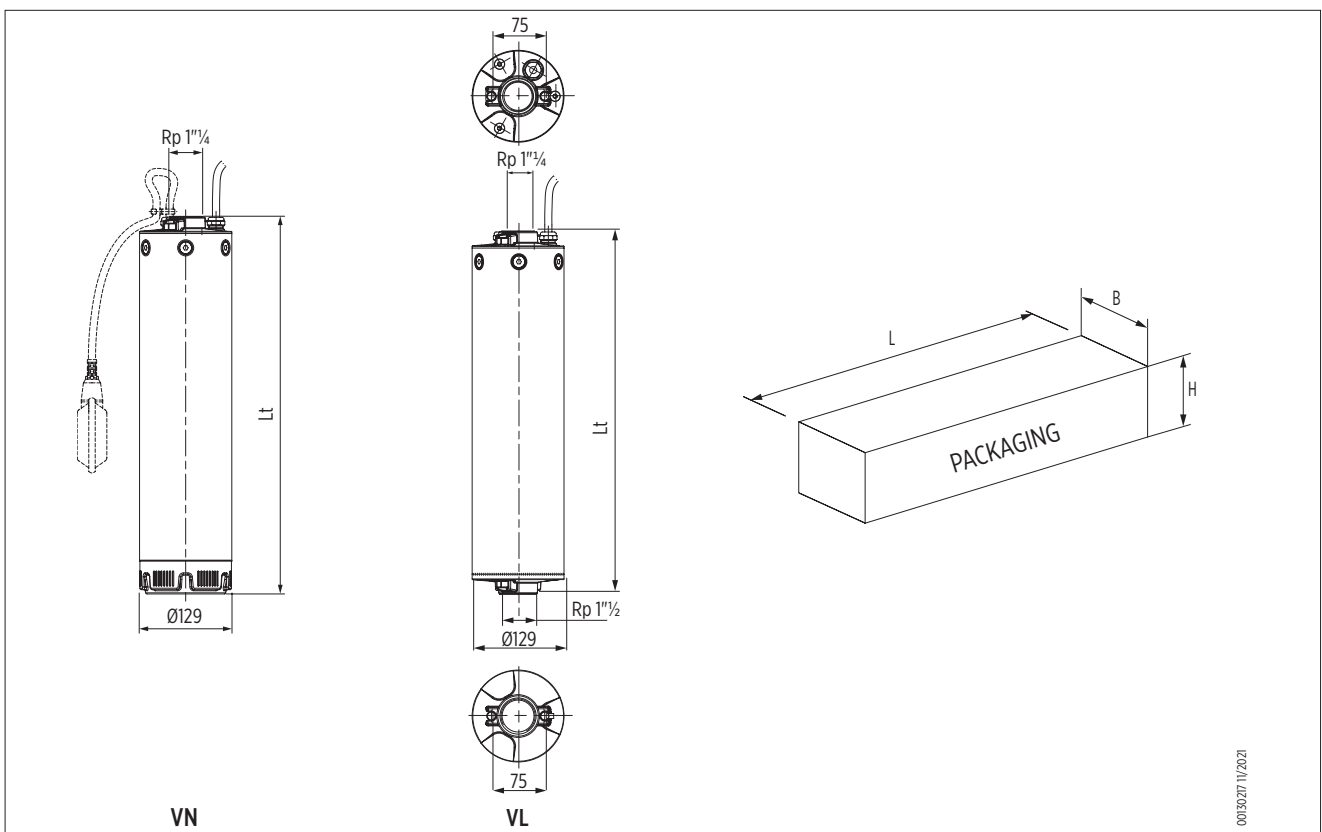
DIMENSIONS AND WEIGHTS

Electric pump			Weight* [Kg]		Packaging		
1 ~	3 ~	Lt [mm]	1 ~	3 ~	L [mm]	B [mm]	H [mm]
VN 3/3	VN 3/3T	456	14	15,5	720	230	175
VN 3/4	VN 3/4T	480	15	16.5	720	230	175
VN 3/5	VN 3/5T	504	16.75	17	720	230	175
VN 3/6	VN 3/6T	528	17.25	16.75	720	230	175
VN 3/7	VN 3/7T	552	19	18	720	230	175
VN 3/8	VN 3/8T	576	19.5	18.5	720	230	175
VN 3/9	VN 3/9T	650	22.5	20.5	800	230	195
VN 3/10	VN 3/10T	674	23	21	800	230	195

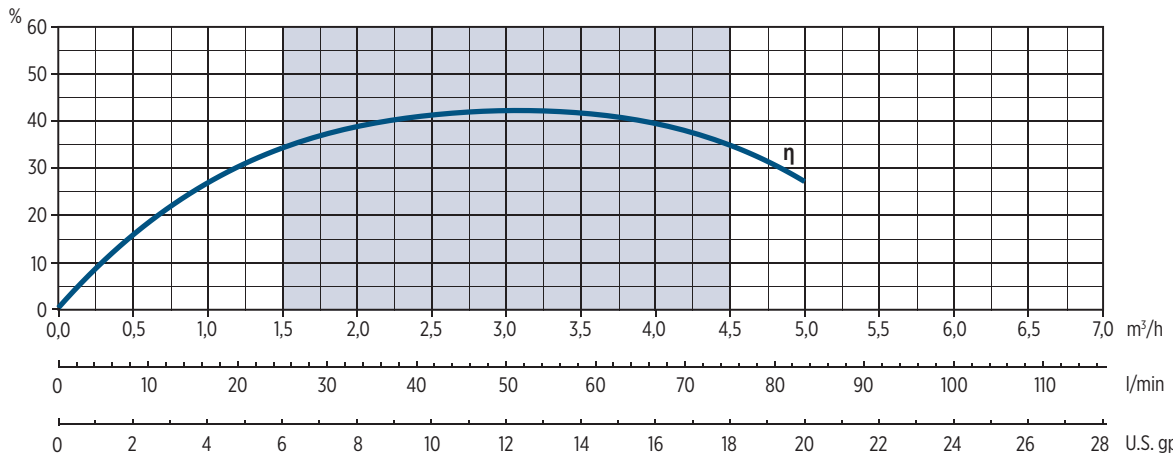
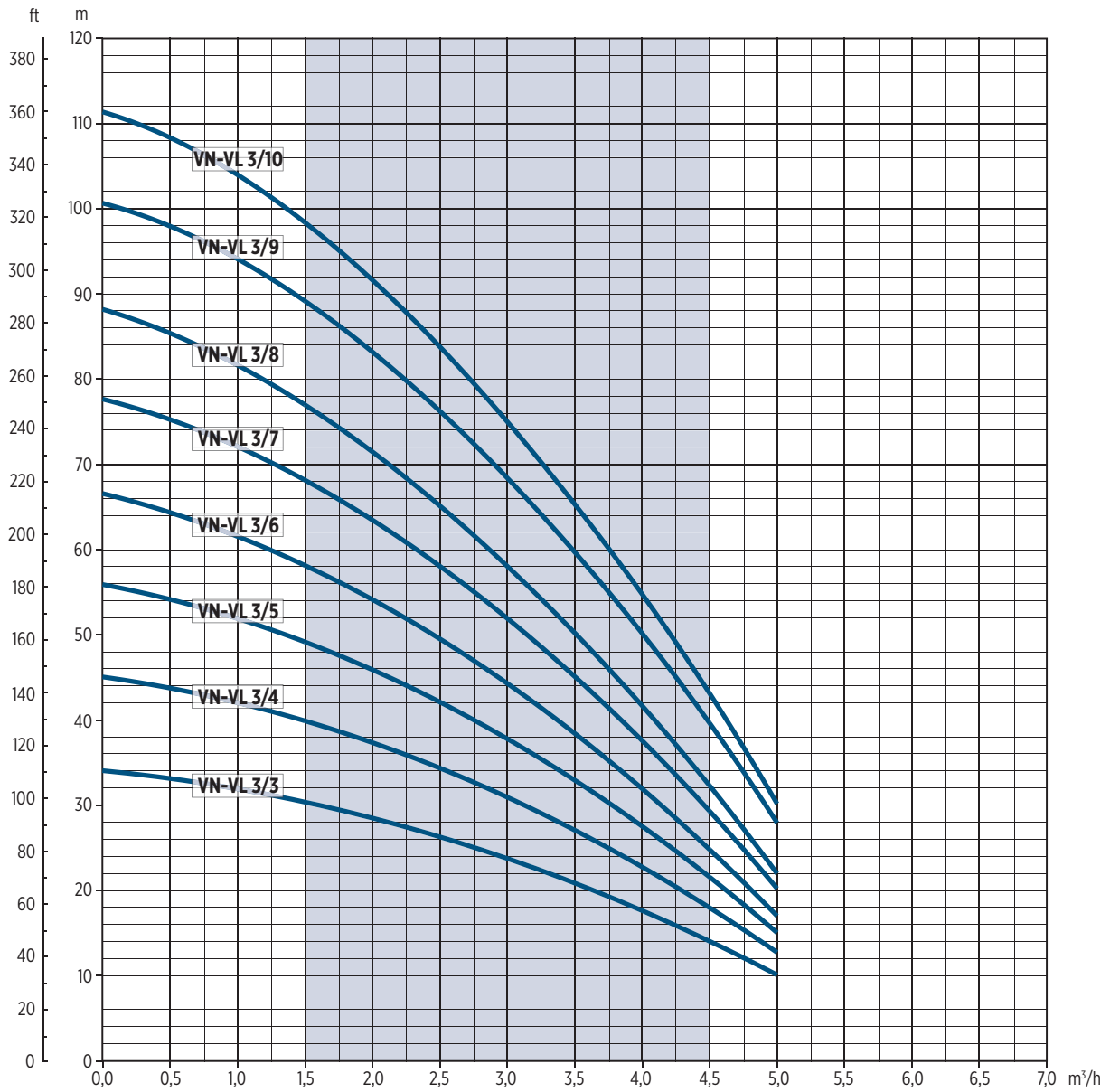
Electric pump			Weight [Kg]		Packaging		
1 ~	3 ~	Lt [mm]	1 ~	3 ~	L [mm]	B [mm]	H [mm]
VL 3/3	VL 3/3T	440	13	14,9	720	230	175
VL 3/4	VL 3/4T	464	13.8	15.25	720	230	175
VL 3/5	VL 3/5T	488	15.25	15.25	720	230	175
VL 3/6	VL 3/6T	512	15.8	15.8	720	230	175
VL 3/7	VL 3/7T	536	17.5	16.3	720	230	175
VL 3/8	VL 3/8T	560	18	16.9	720	230	175
VL 3/9	VL 3/9T	634	20.9	18.75	800	230	195
VL 3/10	VL 3/10T	658	21.5	19.25	800	230	195

* Electric pump weight without float switch

DIMENSIONAL DRAWINGS



VN/VL 3 - PERFORMANCE CURVES AT 50 HZ



VN/VL 5 - 50 HZ

TECHNICAL DATA

Electric pump model		Number of stages	MOTOR POWER		INPUT POWER	Capacitor		RATED CURRENT		
			[kW]	[HP]		μ F	V	Single-phase 220-240 V	Three-phase 220-230 V 380-415 V	
VN-VL 5/4	VN-VL 5/4T	4	0.75	1	1.07	20	450	5.0	3.8	2.2
VN-VL 5/5	VN-VL 5/5T	5	0.9	1.2	1.34	30	450	6.7	4.3	2.5
VN-VL 5/6	VN-VL 5/6T	6	1.1	1.5	1.56	30	450	7.5	4.8	2.8
VN-VL 5/7	VN-VL 5/7T	7	1.5	2	1.86	35	450	9.7	5.5	3.2
VN-VL 5/8	VN-VL 5/8T	8	1.5	2	2.08	35	450	10.5	6.1	3.5
VN-VL 5/9	VN-VL 5/9T	9	2.2	3	2.35	45	450	10.7	8.7	5
VN-VL 5/10	VN-VL 5/10T	10	2.2	3	2.56	45	450	11.5	9.0	5.2

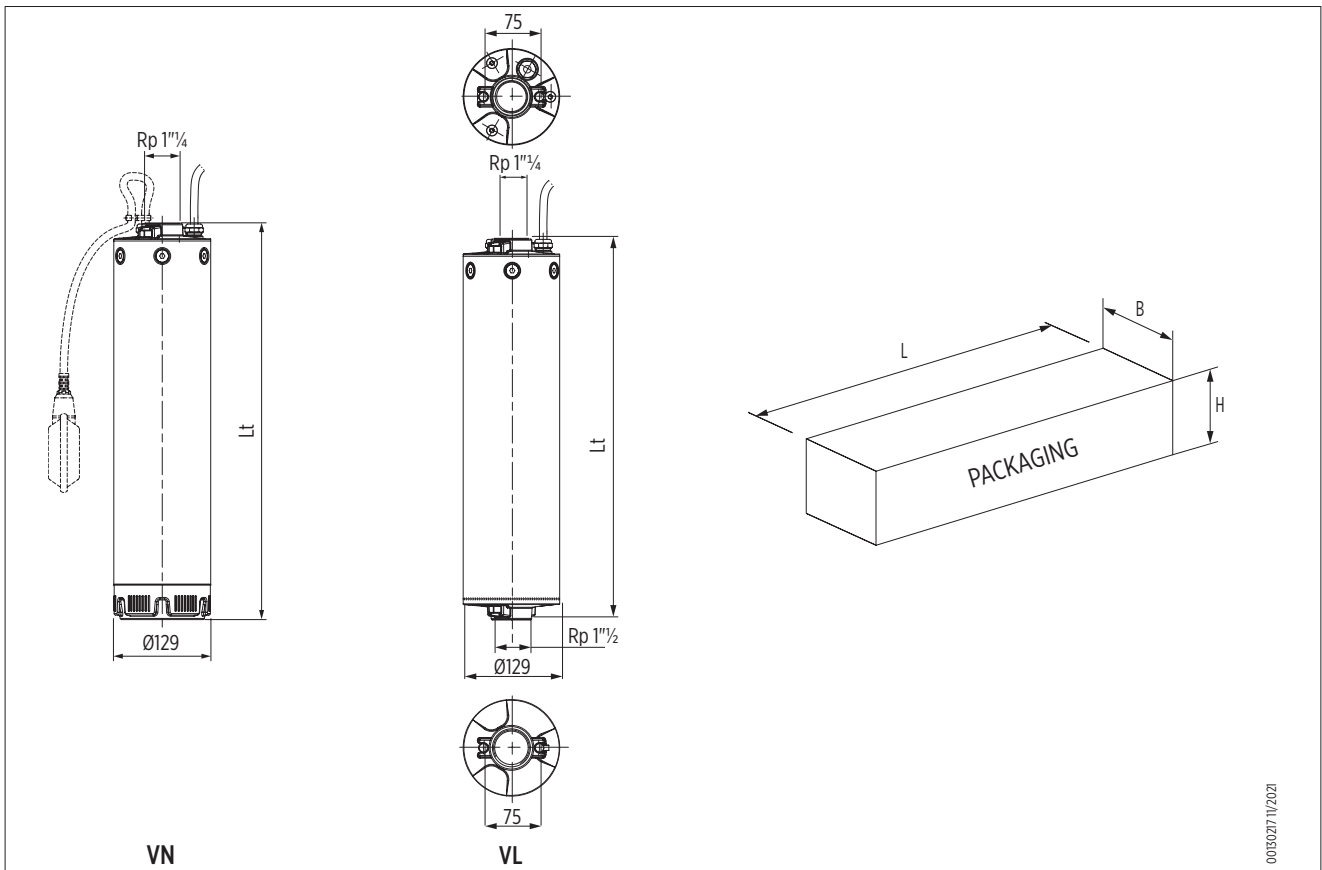
DIMENSIONS AND WEIGHTS

Electric pump			Weight* [Kg]		Packaging		
1~	3~	Lt [mm]	1~	3~	L [mm]	B [mm]	H [mm]
VN 5/4	VN 5/4T	480	15.25	16.5	720	230	175
VN 5/5	VN 5/5T	504	18	17	720	230	175
VN 5/6	VN 5/6T	528	18.75	17.75	720	230	175
VN 5/7	VN 5/7T	602	21.5	19.25	800	230	195
VN 5/8	VN 5/8T	626	21.85	20	800	230	195
VN 5/9	VN 5/9T	650	24	22.5	800	230	195
VN 5/10	VN 5/10T	674	24.5	23	800	230	195

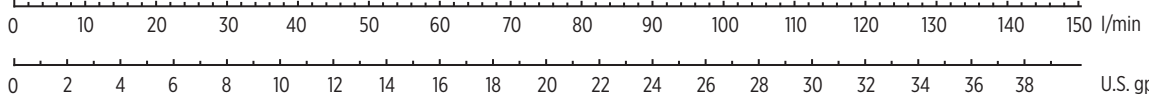
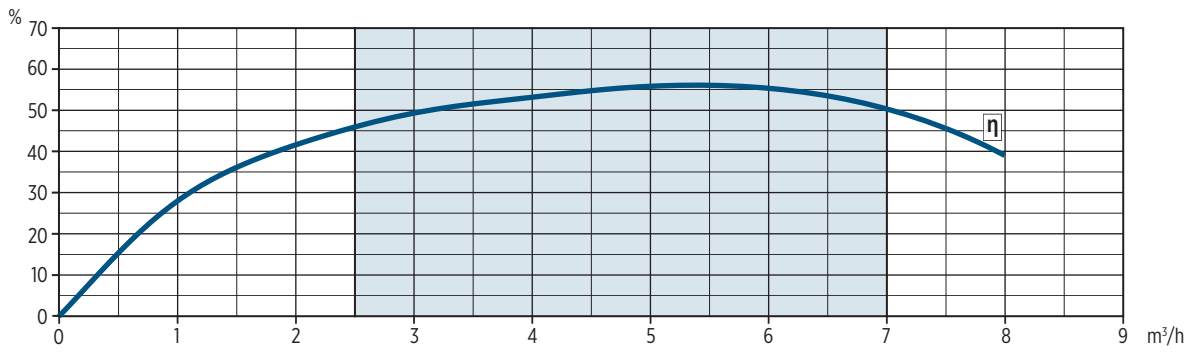
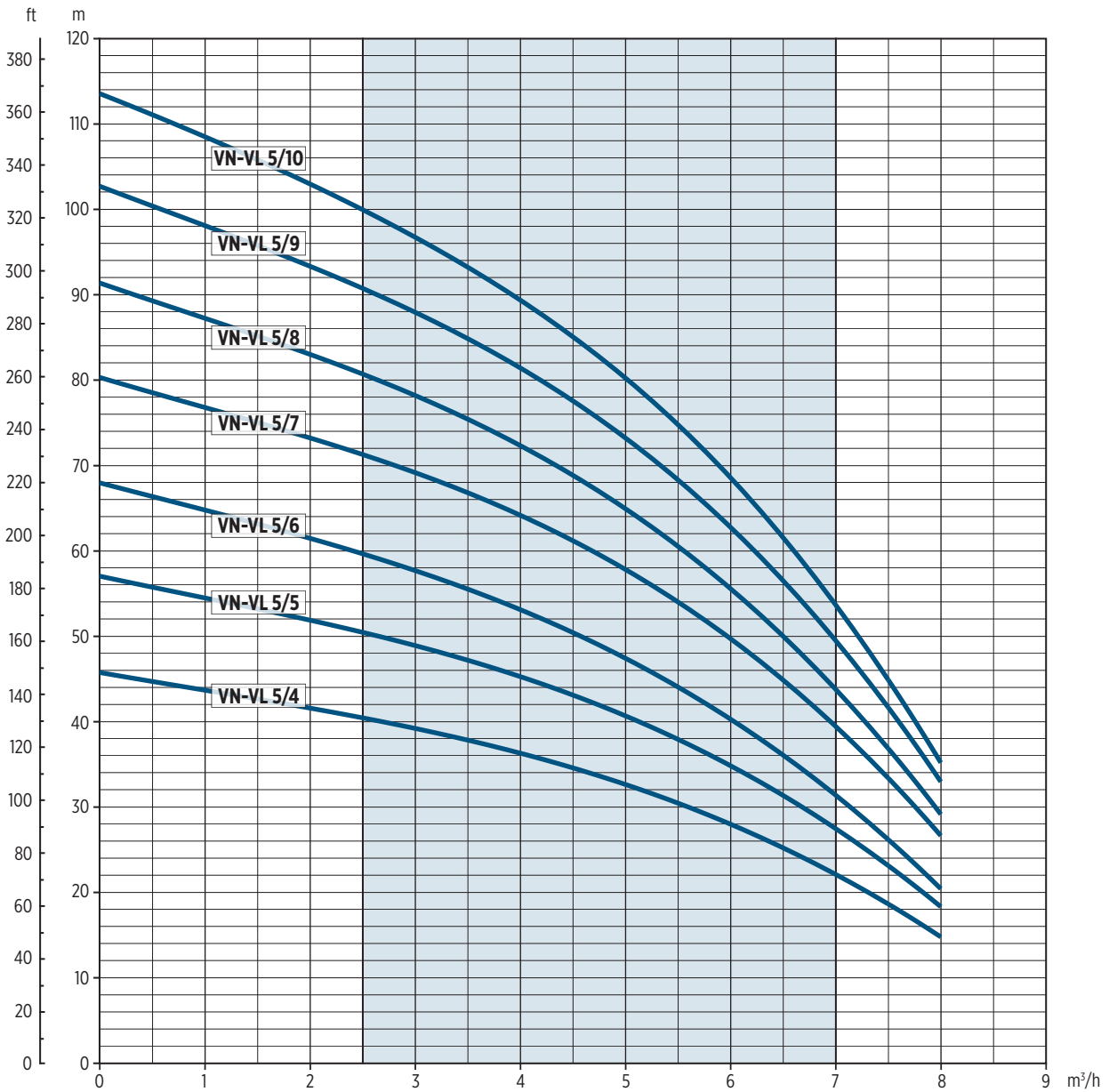
Electric pump			Weight [Kg]		Packaging		
1~	3~	Lt [mm]	1~	3~	L [mm]	B [mm]	H [mm]
VL 5/4	VL 5/4T	464	13.8	15	720	230	175
VL 5/5	VL 5/5T	488	16.5	15.25	720	230	175
VL 5/6	VL 5/6T	512	17.25	16	720	230	175
VL 5/7	VL 5/7T	586	20	17.75	800	230	195
VL 5/8	VL 5/8T	610	20.25	18.25	800	230	195
VL 5/9	VL 5/9T	634	22	21	800	230	195
VL 5/10	VL 5/10T	658	22.5	21.5	800	230	195

* Electric pump weight without float switch

DIMENSIONAL DRAWINGS



VN/VL 5 - PERFORMANCE CURVES AT 50 HZ



VN/VL 9 - 50 HZ

TECHNICAL DATA

Electric pump model		Number of stages	MOTOR POWER		INPUT POWER	Capacitor		RATED CURRENT		
			[kW]	[HP]		μ F	V	Single-phase 220-240 V	Three-phase 220-230 V 380-415 V	
VN-VL 9/3	VN-VL 9/3T	3	1.1	1.5	1.44	30	450	6.9	4.5	2.6
VN-VL 9/4	VN-VL 9/4T	4	1.5	2	1.86	35	450	9.7	5.5	3.2
VN-VL 9/5	VN-VL 9/5T	5	2.2	3	2.3	45	450	10.5	8.7	5
VN-VL 9/6	VN-VL 9/6T	6	2.2	3	2.68	45	450	11.9	9.2	5.3
-	VN-VL 9/7T	7	3	4	3.16	-	-	-	10,2	5.9
-	VN-VL 9/8T	8	3	4	3.54	-	-	-	10,9	6.3
-	VN-VL 9/9T	9	3	4	3.91	-	-	-	11,8	6.8

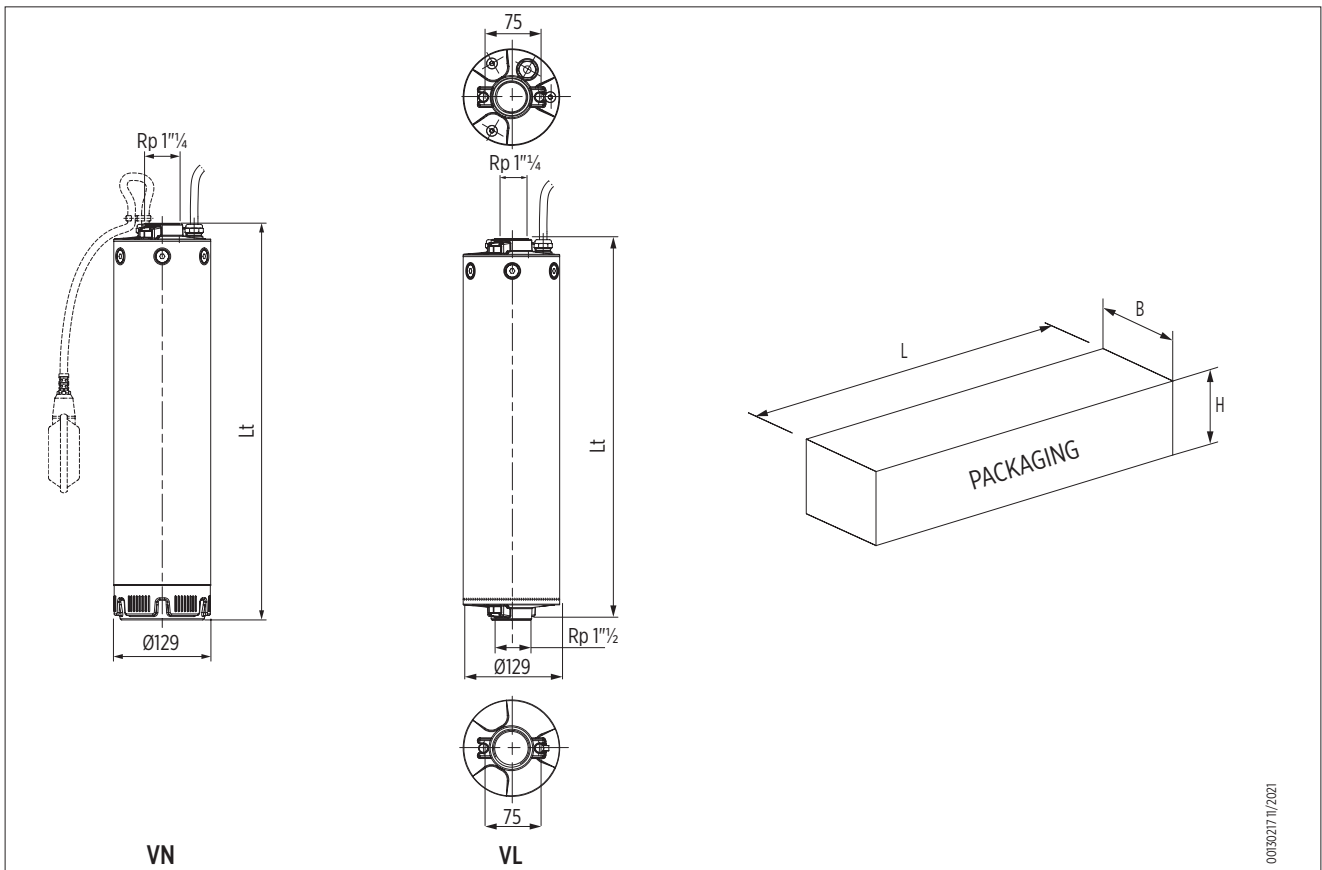
DIMENSIONS AND WEIGHTS

Electric pump			Weight* [Kg]		Packaging		
1~	3~	Lt [mm]	1~	3~	L [mm]	B [mm]	H [mm]
VN 9/3	VN 9/3T	504	17.25	16	720	230	175
VN 9/4	VN 9/4T	584	20.25	18.25	720	230	175
VN 9/5	VN 9/5T	614	22.25	21	800	230	195
VN 9/6	VN 9/6T	644	23	21.5	800	230	195
-	VN 9/7T	674	-	24	800	230	195
-	VN 9/8T	704	-	24.75	800	230	195
-	VN 9/9T	734	-	25.5	800	230	195

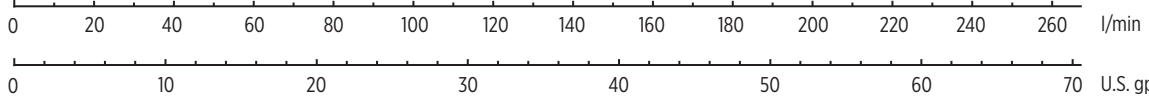
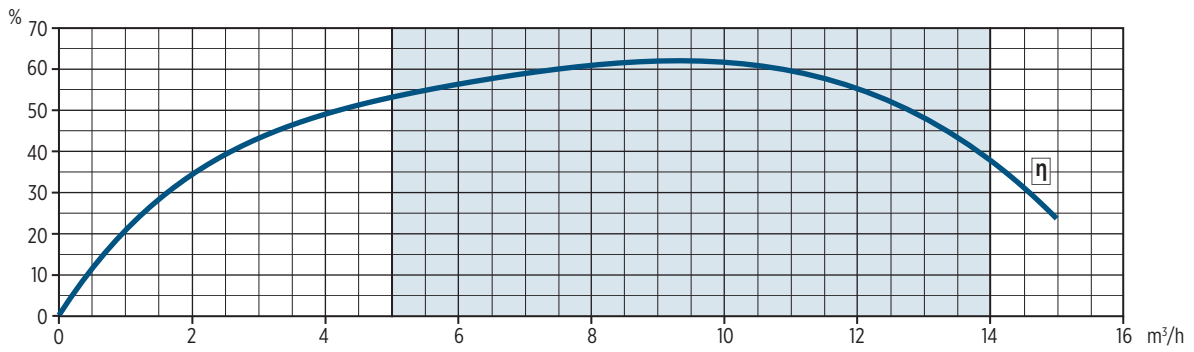
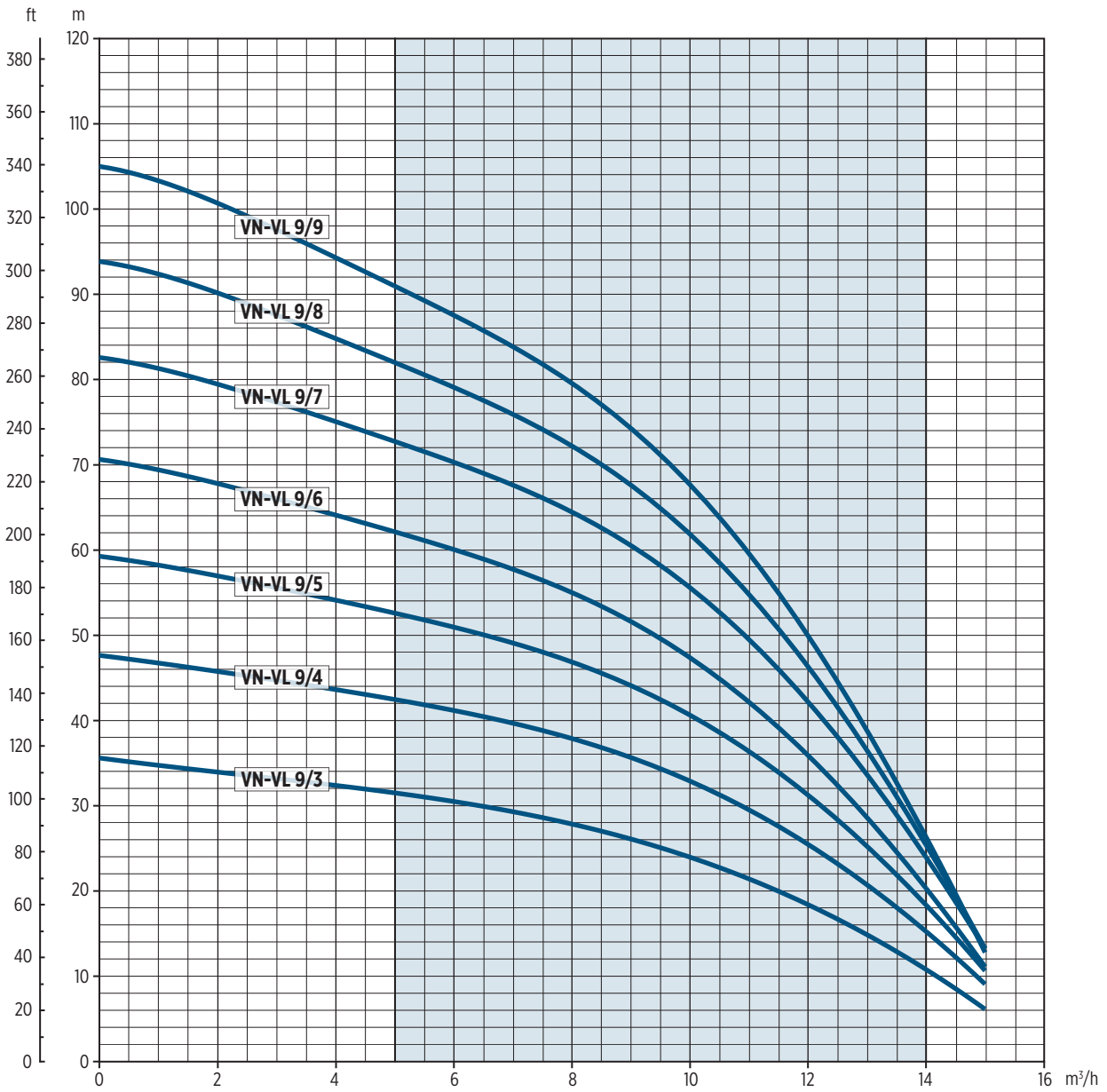
Electric pump			Weight [Kg]		Packaging		
1~	3~	Lt [mm]	1~	3~	L [mm]	B [mm]	H [mm]
VL 9/3	VL 9/3T	488	15.75	14.6	720	230	175
VL 9/4	VL 9/4T	568	18.75	16.75	720	230	175
VL 9/5	VL 9/5T	598	20.5	19.35	800	230	195
VL 9/6	VL 9/6T	628	21.25	20	800	230	195
-	VL 9/7T	658	-	21.85	800	230	195
-	VL 9/8T	688	-	22.5	800	230	195
-	VL 9/9T	718	-	23	800	230	195

* Electric pump weight without float switch

DIMENSIONAL DRAWINGS



VN/VL 9 - PERFORMANCE CURVES AT 50 HZ



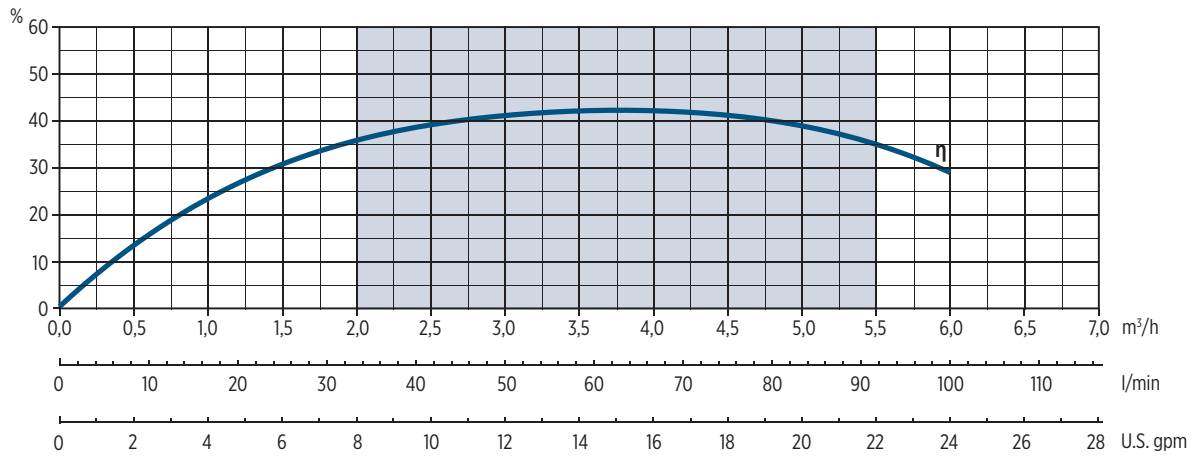
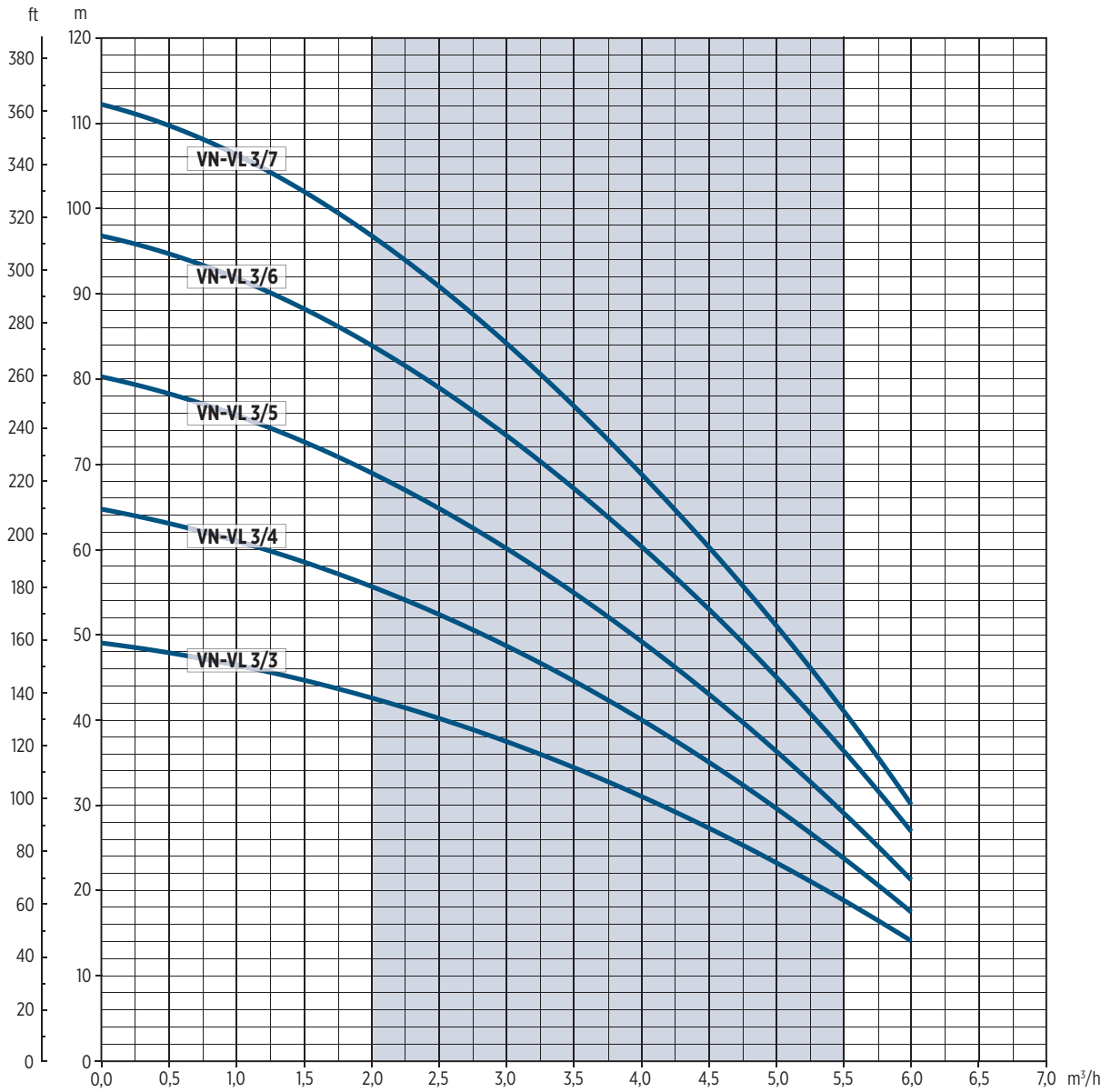


TECHNICAL DATA AND PERFORMANCE CURVES AT 60 HZ

HYDRAULIC PERFORMANCE

Electric pump model	RATED POWER		Q = DELIVERY																
			l/min 0	25.0	29.2	41.7	50.0	58.3	75.0	91.7	100.0	116.7	133.3	150.0	175.0	208.3	241.7	266.7	300.0
			m ³ /h 0	1.5	1.8	2.5	3	3.5	4.5	5.5	6	7	8	9	10.5	12.5	14.5	16	18
	US gmp 0	6.6	7.7	11.0	13.2	15.4	19.8	24.2	26.4	30.8	35.2	39.6	46.2	55.0	63.8	70.4	79.3		
[kW]	[HP]	H = HEAD METERS COLUMN OF WATER [m]																	
VN-VL 3/3	0.75	1	49		44	40.5	37.5	34	27.5	19									
VN-VL 3/4	0.9	1.2	64.5		57.5	52.5	48.5	44.5	35	24.5									
VN-VL 3/5	1.1	1.5	80		70.5	64	59	54	42	29									
VN-VL 3/6	1.5	2	96		85	78	71.5	65.5	52	35.5									
VN-VL 3/7	1.5	2	111		98	89	82	75	58.5	39.5									
VN-VL 5/2	0.75	1	34				30	29.5	28	26	25	22.5	19	15					
VN-VL 5/3	0.9	1.2	50				44	43.0	40.5	37.5	36	32	27	20.5					
VN-VL 5/4	1.1	1.5	66				57.5	56	52	48	46	40.5	33.5	25					
VN-VL 5/5	1.5	2	82				72	70	65.5	60.5	58	51	42.5	32					
VN-VL 5/6	2.2	3	99				88	86	80.5	74.5	71.5	64	53	41					
VN-VL 5/7	2.2	3	115				101.5	99	92.5	85.5	82	72.5	60	46					
VN-VL 9/2	1.1	1.5	34								30	29	28.5	27.5	26	22	17.5	13	
VN-VL 9/3	1.5	2	51								45	43	42	40.5	38	33	25	18.5	
VN-VL 9/4	2.2	3	68								60	58.5	57	55	51.5	44.5	35	26	
VN-VL 9/5	3	4	84.5								74	71.5	69	67	62.5	53.5	41	30	
VN-VL 9/6	3.7	5	101.8								89.4	86.8	84.2	81.3	76.2	65.6	50.9	37.1	

VN/VL 3 - PERFORMANCE CURVES AT 60 HZ



VN/VL 5 - 60 HZ

TECHNICAL DATA

Electric pump model		Number of stages	MOTOR POWER		INPUT POWER	Capacitor		RATED CURRENT		
			[kW]	[HP]		μ F	V	Single-phase 220-230 V	Three-phase 220-230 V 380-400 V	
Single-phase	Three-phase									
VN-VL 5/2	-	2	0.75	1	1	20	450	5	-	-
VN-VL 5/3	VN-VL 5/3T	3	0.9	1.2	1.35	20	450	6.4	4.7	2.7
VN-VL 5/4	VN-VL 5/4T	4	1.1	1.5	1.78	25	450	8.6	5.5	3.2
VN-VL 5/5	VN-VL 5/5T	5	1.5	2	2.26	35	450	10.4	6.8	3.9
-	VN-VL 5/6T	6	2.2	3	2.78	-	-	-	9.9	5.7
-	VN-VL 5/7T	7	2.2	3	3.16	-	-	-	10.6	6.1

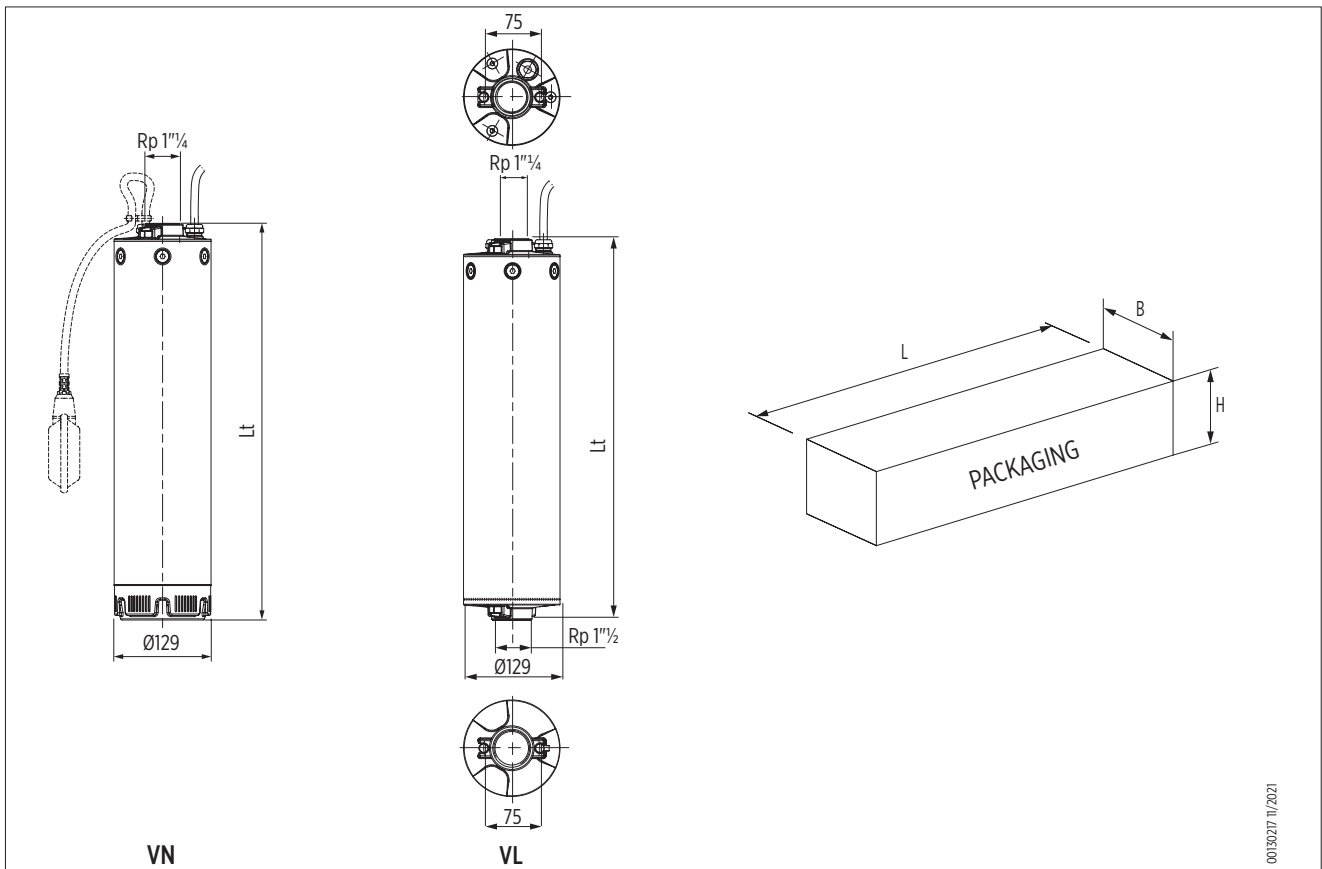
DIMENSIONS AND WEIGHTS

Electric pump			Weight* [Kg]		Packaging		
1 ~	3 ~	Lt [mm]	1 ~	3 ~	L [mm]	B [mm]	H [mm]
VN 5/2	-	432	15.25	-	720	230	175
VN 5/3	VN 5/3T	456	15.75	15.75	720	230	175
VN 5/4	VN 5/4T	480	17.5	16.25	720	230	175
VN 5/5	VN 5/5T	554	20.5	18.5	720	230	175
-	VN 5/6T	578	-	20.75	720	230	175
-	VN 5/7T	602	-	21.5	800	230	195

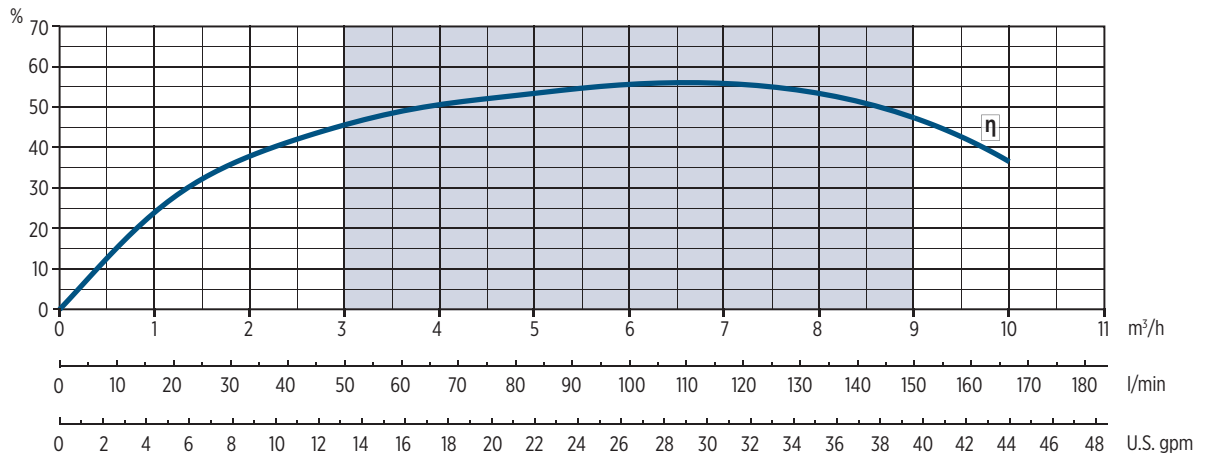
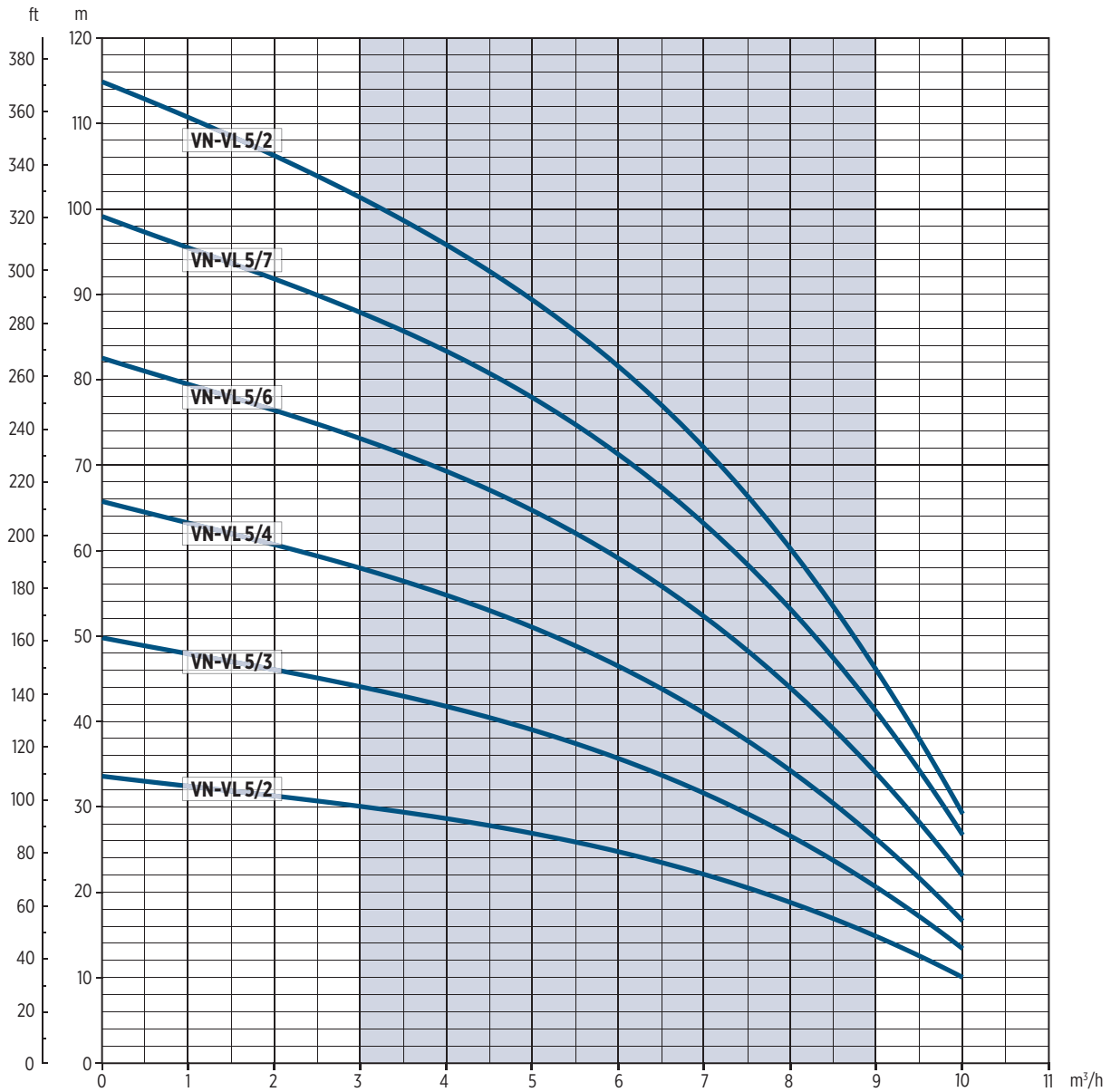
* Electric pump weight without float switch

Electric pump			Weight [Kg]		Packaging		
1 ~	3 ~	Lt [mm]	1 ~	3 ~	L [mm]	B [mm]	H [mm]
VL 5/2	-	416	13.6	-	720	230	175
VL 5/3	-	440	14.2	-	720	230	175
VL 5/4	VL 5/4T	464	15.9	14.75	720	230	175
VL 5/5	VL 5/5T	538	18.5	16.5	720	230	175
-	VL 5/6T	562	-	19.3	720	230	175
-	VL 5/7T	586	-	19.8	800	230	195

DIMENSIONAL DRAWINGS



VN/VL 5 - PERFORMANCE CURVES AT 60 HZ



VN/VL 9 - 60 HZ

TECHNICAL DATA

Electric pump model		Number of stages	MOTOR POWER		INPUT POWER	Capacitor		RATED CURRENT		
			[kW]	[HP]		μ F	V	Single-phase 220-230 V	Three-phase 220-230 V 380-400 V	
VN-VL 9/2	VN-VL 9/2T	2	1.1	1.5	1.59	25	450	7.9	5	2.9
VN-VL 9/3	VN-VL 9/3T	3	1.5	2	2.36	35	450	10.8	7.1	4.1
-	VN-VL 9/4T	4	2.2	3	3.17	-	-	-	10.6	6.1
-	VN-VL 9/5T	5	3	4	3.75	-	-	-	11.8	6.8
-	VN-VL 9/6T	6	3.7	5	4.55	-	-	-	14.7	8.5

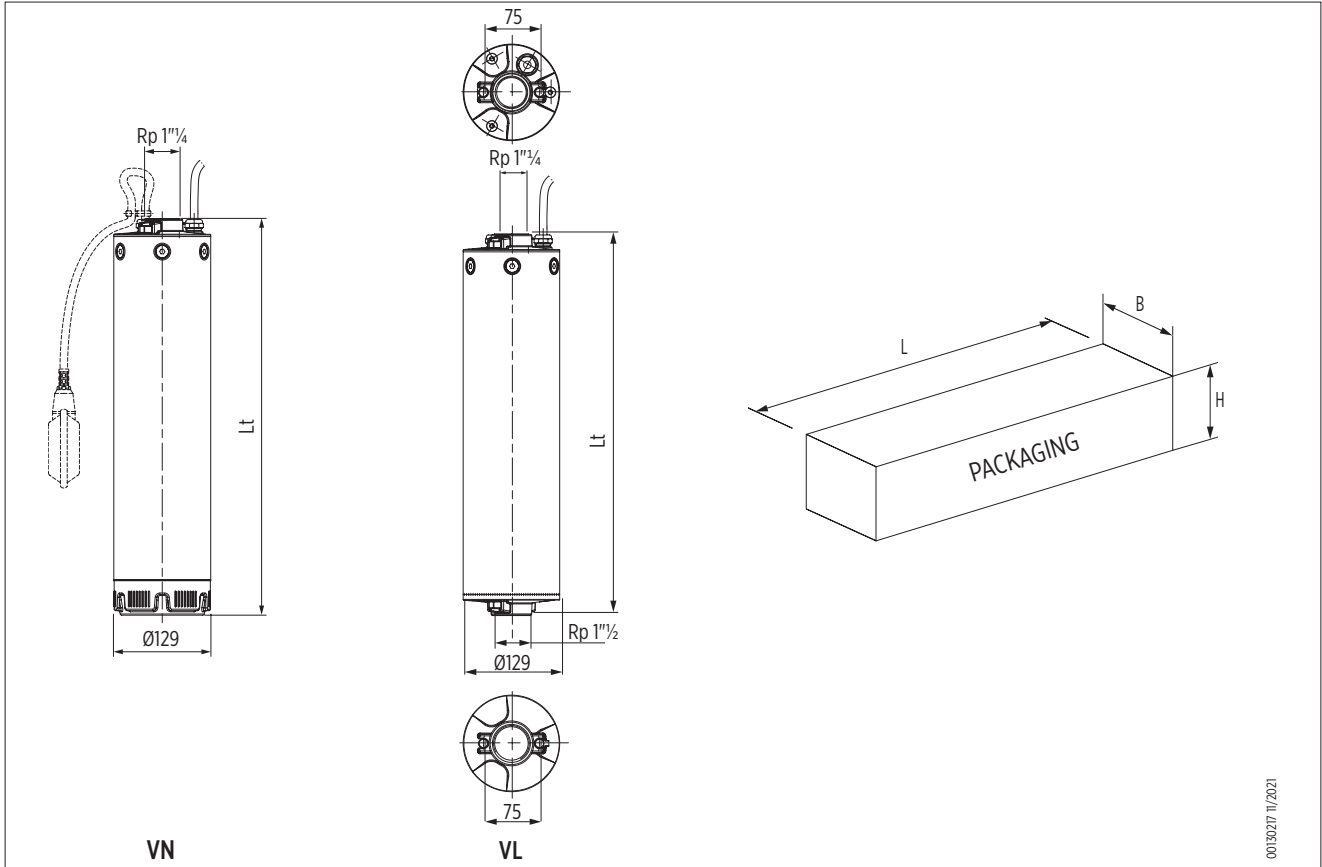
DIMENSIONS AND WEIGHTS

Electric pump			Weight* [Kg]		Packaging		
1 ~	3 ~	Lt [mm]	1 ~	3 ~	L [mm]	B [mm]	H [mm]
VN 9/2	VN 9/2T	474	16.75	15.5	720	230	175
VN 9/3	VN 9/3T	504	20	17.75	720	230	175
-	VN 9/4T	584	-	20.5	720	230	175
-	VN 9/5T	614	-	22	720	230	195
-	VN 9/6T	644	-	23,3	720	230	195

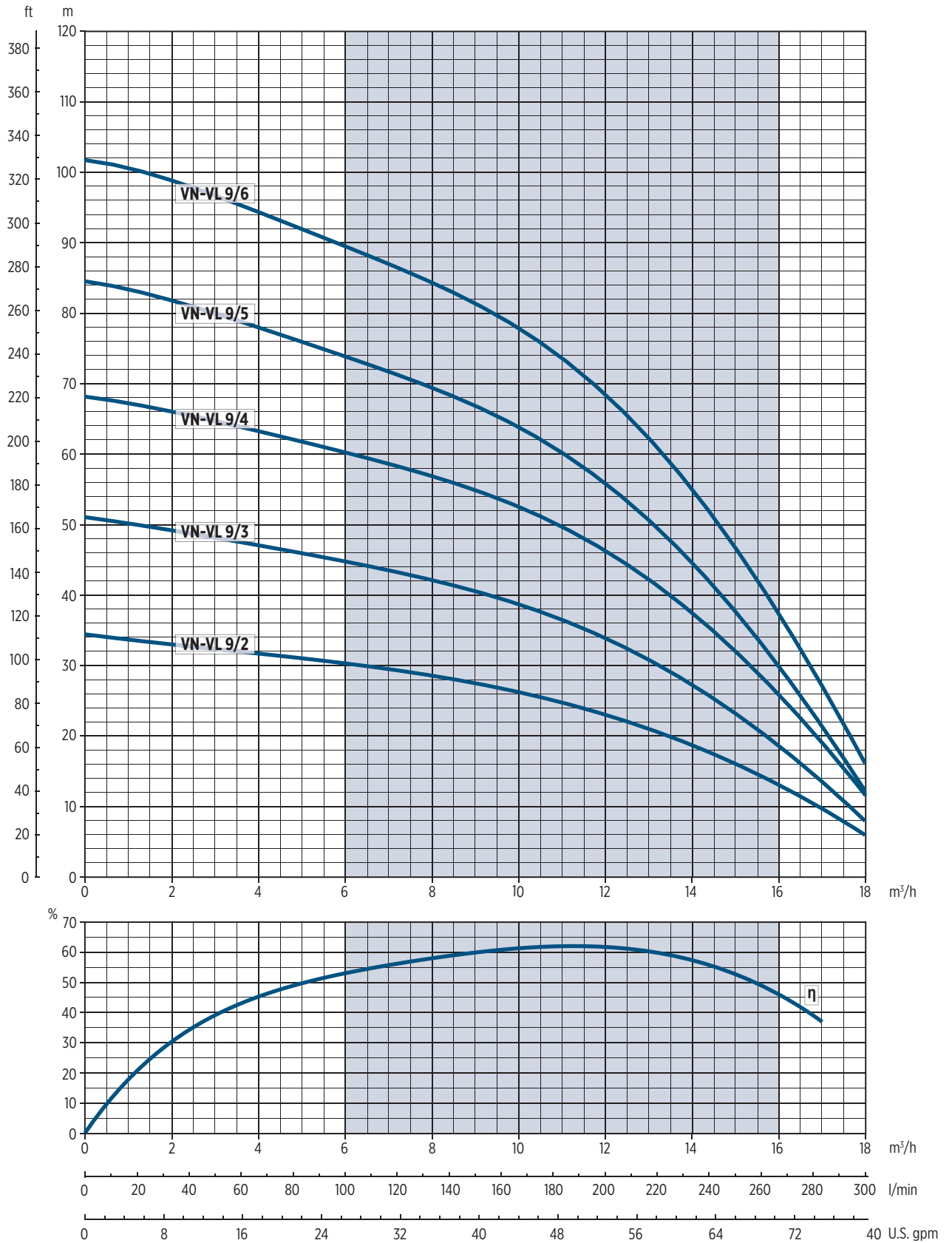
* Electric pump weight without float switch

Electric pump			Weight [Kg]		Packaging		
1 ~	3 ~	Lt [mm]	1 ~	3 ~	L [mm]	B [mm]	H [mm]
VL 9/2	VL 9/2T	458	15.1	14	800	230	175
VL 9/3	VL 9/3T	488	17.8	15.9	720	230	175
-	VL 9/4T	568	-	18.7	720	230	175
-	VL 9/5T	598	-	20.6	720	230	195
-	VL 9/6T	628	-	21,7	720	230	195

DIMENSIONAL DRAWINGS



VN/VL 9 - PERFORMANCE CURVES AT 60 HZ



ORDERING INFORMATION

VN 50 HZ

Frequency	Pump model	Stages	Single phase without Float switch	Single phase with Float switch	Three phase 230 V	Three phase 400 V
50 Hz	VN 3	03	ETH10530100	ETH10530101	ETH10530615	ETH10530614
		04	ETH10530115	ETH10530116	ETH10530573	ETH10530569
		05	ETH10530130	ETH10530131	ETH10530591	ETH10530584
		06	ETH10530145	ETH10530146	ETH10530603	ETH10530599
		07	ETH10530160	ETH10530161	ETH10530515	ETH10530505
		08	ETH10530175	ETH10530176	ETH10530529	ETH10530520
		09	ETH10530190	ETH10530191	ETH10530541	ETH10530535
	VN 5	04	ETH10550115	ETH10550116	ETH10550625	ETH10550629
		05	ETH10550130	ETH10550131	ETH10550504	ETH10550505
		06	ETH10550145	ETH10550146	ETH10550534	ETH10550520
		07	ETH10550160	ETH10550161	ETH10550548	ETH10550535
		08	ETH10550175	ETH10550176	ETH10550556	ETH10550550
		09	ETH10550190	ETH10550191	ETH10550572	ETH10550565
		10	ETH10550205	ETH10550206	ETH10550586	ETH10550580
	VN 3	03	ETH10590100	ETH10590101	ETH10590515	ETH10590505
		04	ETH10590115	ETH10590116	ETH10590533	ETH10590520
		05	ETH10590130	ETH10590131	ETH10590546	ETH10590535
		06	ETH10590145	ETH10590146	ETH10590558	ETH10590550
		07	-	-	ETH10590571	ETH10590565
		08	-	-	ETH10590586	ETH10590580
		09	-	-	ETH10590602	ETH10590595

VN 50 HZ - ACS VERSION

Frequency	Pump model	Stages	M5L Single phase without Float switch	M5L Single phase with Float switch	Three phase 230 V	Three phase 400 V
50 Hz	VN 3	03	ETH10535100	ETH10535101	ETH10535615	ETH10535614
		04	ETH10535115	ETH10535116	ETH10535573	ETH10535569
		05	ETH10535130	ETH10535131	ETH10535591	ETH10535584
		06	ETH10535145	ETH10535146	ETH10535603	ETH10535599
		07	ETH10535160	ETH10535161	ETH10535515	ETH10535505
		08	ETH10535175	ETH10535176	ETH10535529	ETH10535520
		09	ETH10535190	ETH10535191	ETH10535541	ETH10535535
	VN 5	04	ETH10555115	ETH10555116	ETH10555625	ETH10555629
		05	ETH10555130	ETH10555131	ETH10555504	ETH10555505
		06	ETH10555145	ETH10555146	ETH10555534	ETH10555520
		07	ETH10555160	ETH10555161	ETH10555548	ETH10555535
		08	ETH10555175	-	ETH10555556	ETH10555550
		09	ETH10555190	-	ETH10555572	ETH10555565
		10	ETH10555205	-	ETH10555586	ETH10555580
	VN 3	03	ETH10595100	ETH10595101	ETH10595515	ETH10595505
		04	ETH10595115	ETH10595116	ETH10595533	ETH10595520
		05	ETH10595130	-	ETH10595546	ETH10595535
		06	ETH10595145	-	ETH10595558	ETH10595550
		07	-	-	ETH10595571	ETH10595565
		08	-	-	ETH10595586	ETH10595580
		09	-	-	ETH10595602	ETH10595595



VN 60 HZ

Frequency	Pump model	Stages	Single phase without Float switch	Single phase with Float switch	Three phase 230 V	Three phase 400 V
60 Hz	VN 3	03	ETH10530103	ETH10530104	ETH10530611	ETH10530610
		04	ETH10530118	ETH10530119	ETH10530566	ETH10530565
		05	ETH10530133	ETH10530134	ETH10530581	ETH10530580
		06	ETH10530148	ETH10530149	ETH10530596	ETH10530595
		07	ETH10530163	ETH10530164	ETH10530507	ETH10530506
	VN 5	02	ETH10550088	ETH10550089	-	-
		03	ETH10550103	ETH10550104	ETH10550596	ETH10550595
		04	ETH10550118	ETH10550119	ETH10550611	ETH10550610
		05	ETH10550133	ETH10550134	ETH10550507	ETH10550506
		06	-	-	ETH10550522	ETH10550521
	VN 3	07	-	-	ETH10550537	ETH10550536
		02	ETH10590088	ETH10590089	ETH10590626	ETH10590625
		03	ETH10590103	ETH10590104	ETH10590507	ETH10590506
		04	-	-	ETH10590522	ETH10590521
		05	-	-	ETH10590537	ETH10590536
	06	-	-	ETH10590554	ETH10590555	

VL 50 HZ

Frequency	Pump model	Stages	Single-phase version without float switch	Single-phase version with float switch	Three-phase version 3 x 230 V	Three-phase version 3 x 400 V
50 Hz	VL 3	04	ETH10530124	-	ETH10530575	ETH10530574
		05	ETH10530139	-	ETH10530594	ETH10530593
		06	ETH10530154	-	ETH10530605	ETH10530601
		07	ETH10530169	-	ETH10530516	ETH10530511
		08	ETH10530180	-	ETH10530530	ETH10530522
		09	ETH10530195	-	ETH10530542	ETH10530537
		10	ETH10530210	-	ETH10530557	ETH10530552
	VL 5	04	ETH10550124	-	ETH10550627	ETH10550626
		05	ETH10550139	-	ETH10550517	ETH10550511
		06	ETH10550150	-	ETH10550519	ETH10550526
		07	ETH10550165	-	ETH10550659	ETH10550541
		08	ETH10550180	-	ETH10550558	ETH10550552
		09	ETH10550195	-	ETH10550573	ETH10550567
		10	ETH10550210	-	ETH10550587	ETH10550582
	VL 3	03	ETH10590109	-	ETH10590516	ETH10590511
		04	ETH10590120	-	ETH10590532	ETH10590526
		05	ETH10590135	-	ETH10590547	ETH10590541
		06	ETH10590150	-	ETH10590562	ETH10590552
		07	-	-	ETH10590572	ETH10590567
		08	-	-	ETH10590587	ETH10590582
	09	-	-	ETH10590603	ETH10590597	

VL 60 HZ

Frequency	Pump model	Stages	Single-phase version without float switch	Single-phase version with float switch	Three-phase version 3 x 230 V	Three-phase version 3 x 400 V
60 Hz	VL 3	03	ETH10530107	-	ETH10530615	ETH10530616
		04	ETH10530128	-	ETH10530578	ETH10530571
		05	ETH10530144	-	ETH10530588	ETH10530587
		06	ETH10530156	-	ETH10530608	ETH10530602
		07	ETH10530174	-	ETH10530514	ETH10530513
	VL 5	02	ETH10550092	-	-	-
		03	ETH10550107	-	ETH10550599	ETH10550600
		04	ETH10550129	-	ETH10550615	ETH10550614
		05	ETH10550142	-	ETH10550513	ETH10550512
		06	-	-	ETH10550532	ETH10550531
		07	-	-	ETH10550545	ETH10550544
	VL 3	02	ETH10590092	-	ETH10590634	ETH10590629
		03	ETH10590113	-	ETH10590518	ETH10590513
		04	-	-	ETH10590642	ETH10590530
		05	-	-	ETH10590549	ETH10590544
		06	-	-	ETH10590661	ETH10590662

CATALOG REVISION CHANGE NOTICE

Rev. No.	Changes	Page
01	General description updated	2 - 5
	"Pump identification code" adjusted	4
	"Performance selection" page added	7
	"Hydraulic performance" 50 Hz adjusted	9
	Model 3/3 50 Hz added	9-11
	VL dimensional drawing adjusted	10, 12, 14, 18, 20, 22
	"Hydraulic performance" 60 Hz adjusted	17
	Model 9/6 60 Hz added	17, 22-23
"Ordering information" page added	24	



Franklin Electric

Franklin Electric Europa GmbH
Rudolph-Diesel-Str. 20 - 54516 Wittlich
GERMANY
Phone: +49 (0) 6571 - 105-0
Fax: +49 (0) 6571 - 105-510
Email: info@franklin-electric.de

Franklin Electric S.r.l.
Via Asolo, 7 - 36031 Dueville (Vicenza)
ITALY
Phone: +39 0444 361114
Fax: +39 0444 365247
Email: sales.it@fele.com



00105037 EN REV.01_11-2021



franklinwater.eu

Single member - Company subject to the control and coordination of Franklin Electric Co., Inc.
Franklin Electric reserves the right to amend specification without prior notice.