

Receiver

From

Company
Reference
Address
Phone
Fax
E-mail

Item n° : 60209375
Customer pos. no.:

Model :
DIVERTRON 650 M

Pump data

Pressure rating :
Min. fluid temperature : 0 °C
Max. fluid temperature : 40 °C
Max. Ambient temperature :

Requested data

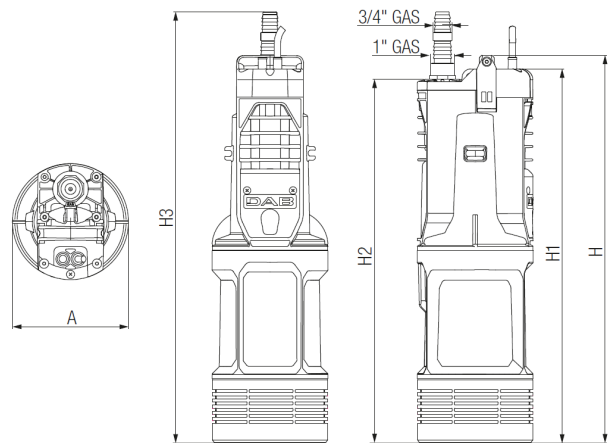
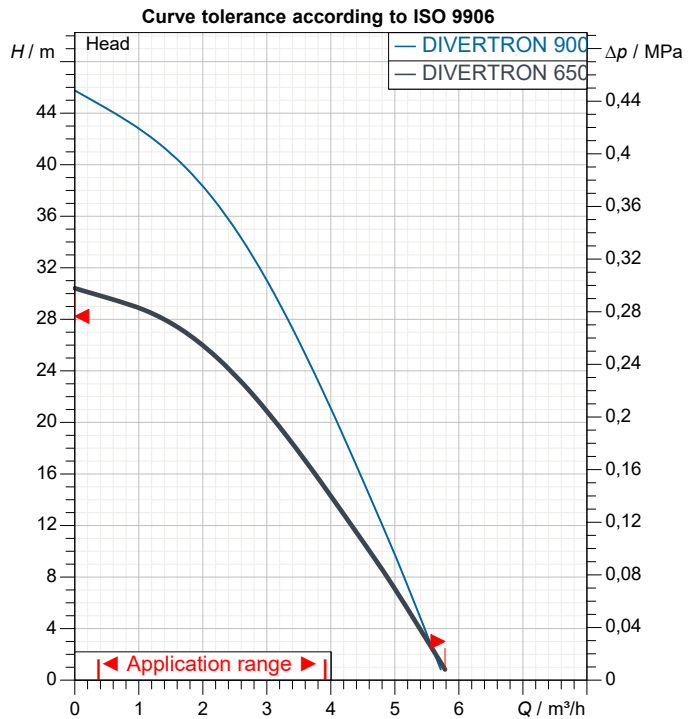
Flow :
Head :
Fluid : Water
Fluid Temperature : 20 °C
Density : 998,3 kg/m³
Kinematic viscosity : 1,005 mm²/s
Vapor pressure : 0,00234 MPa

Hydraulic data (duty point)

Flow :
Head :

Materials

Base	Technopolymer
Inspection cap	EPDM
Nut	Stainless Steel A2
Stage housing	Technopolymer
Wear ring	Technopolymer
Washer	Stainless Steel A2
Diffuser	Technopolymer



Motor data

Motor brand : DAB
Nominal power P2 : 0,42 kW
Rated voltage : 1~ 220-240 V
Nominal current : 2,9 A
Number of poles : 2
Rated speed : 2.800 1/min
Degree of protection : IP 68

Weight : 9,5 kg

Dimensions in mm

A	160				
H	488				
H1	469				
H2	455				
H3	548				

Pump connection

Suction side : /
Discharge side : 1" G / --



PERFORMANCE CURVES

2023-04-27

Page 2 / 3

DAB PUMPS S.p.A.
Via Marco Polo, 14 - 35035 Mestrino (PD), Italy
Tel. +39 049 5125000 - Fax +39 049 5125950
www.dabpumps.com

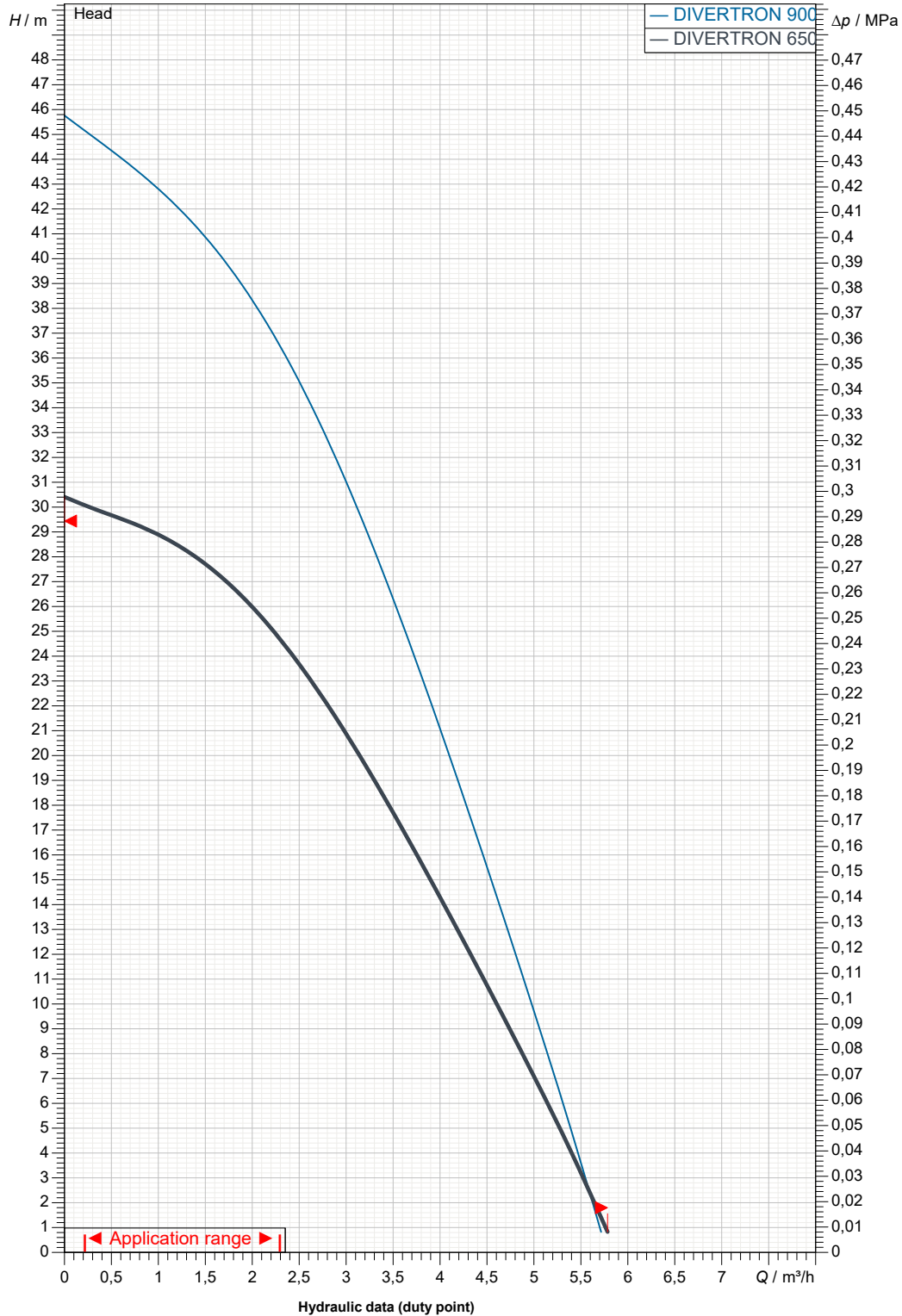
Receiver

From

Company
Reference
Address
Phone
Fax
E-mail

DIVERTRON 650 M

Curve tolerance according to ISO 9906



Suction side :

Discharge side :
1" G
--

Flow :

Head :

Rated speed :
2.800 1/min

MAIN_PROJECT_TITLE

BUSINESS_PROCESS_ID

OWNER_

ISSUE_DATE
2023-04-27



DIMENSIONAL DRAWING

2023-04-27

Page 3 / 3

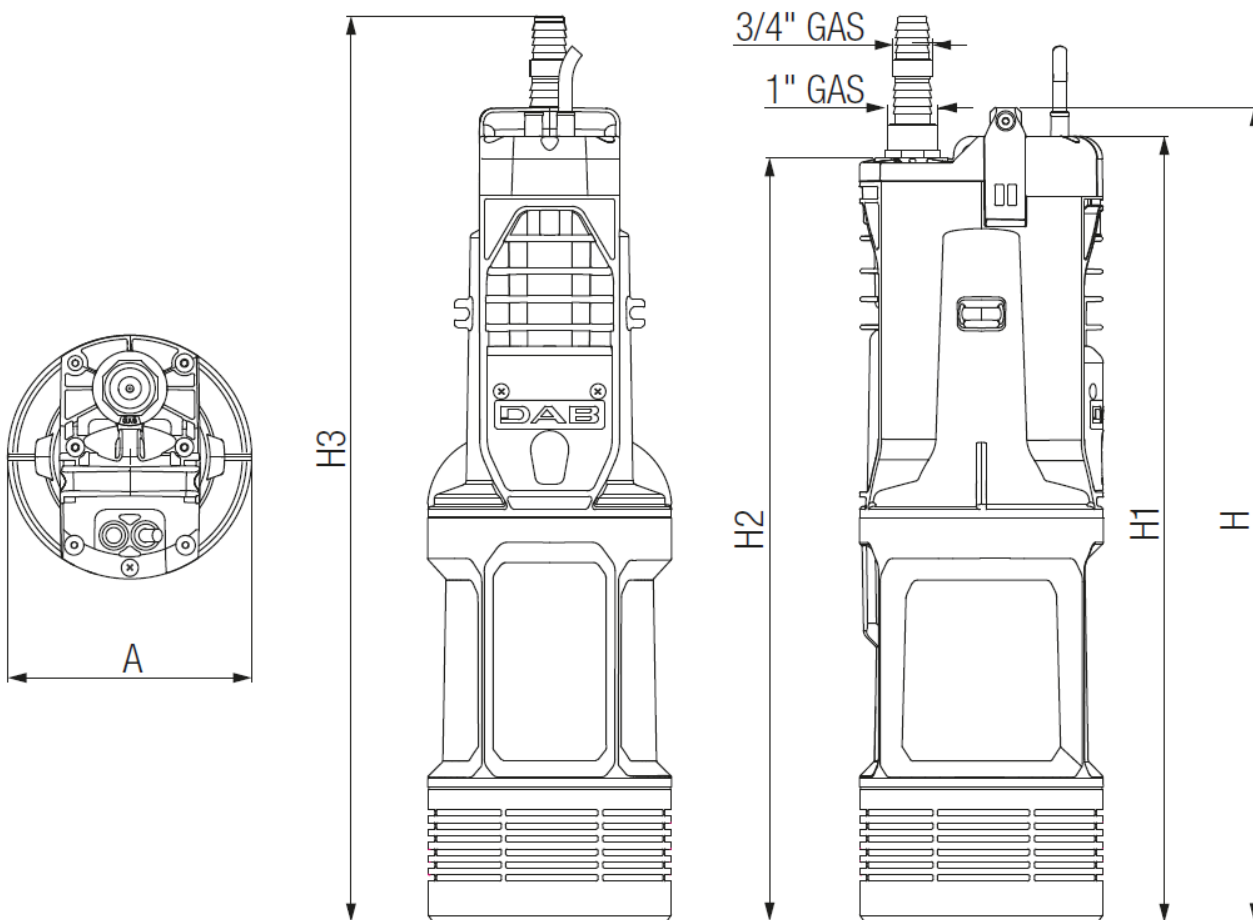
DAB PUMPS S.p.A.
Via Marco Polo, 14 - 35035 Mestrino (PD), Italy
Tel. +39 049 5125000 - Fax +39 049 5125950
www.dabpumps.com

Receiver

From

Company
Reference
Address
Phone
Fax
E-mail

DIVERTRON 650 M



Dimensions in mm

Pump connection

1
2
3
4
5
6
7
8
9
10
11

A	160
H	488
H1	469
H2	455
H3	548

Suction

Discharge

1" G

--

MAIN_PROJECT_TITLE

BUSINESS_PROCESS_ID

OWNER_

ISSUE_DATE

2023-04-27