

**Receiver**

**From**

Company  
Reference  
Address  
Phone  
Fax  
E-mail

**Item n° :** 60209373  
**Customer pos. no.:**

**Model :**  
DIVERTRON 900 M

**Pump data**

Pressure rating :  
Min. fluid temperature : 0 °C  
Max. fluid temperature : 40 °C  
Max. Ambient temperature :

**Requested data**

Flow :  
Head :  
Fluid : Water  
Fluid Temperature : 20 °C  
Density : 998,3 kg/m³  
Kinematic viscosity : 1,005 mm²/s  
Vapor pressure : 0,00234 MPa

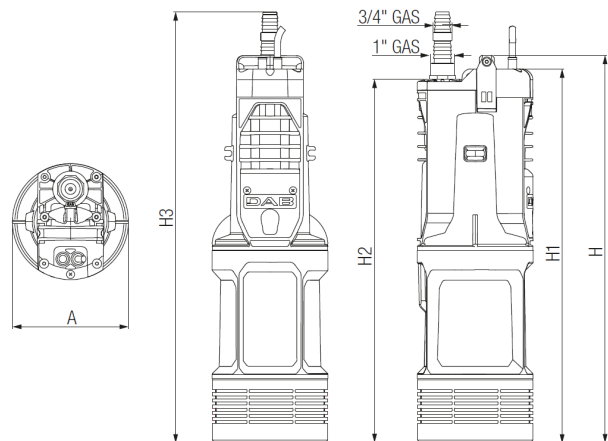
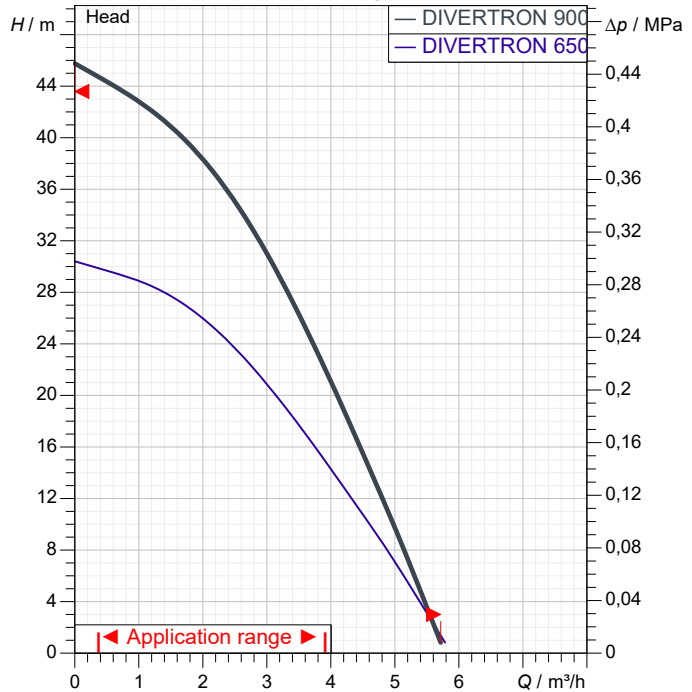
**Hydraulic data (duty point)**

Flow :  
Head :

**Materials**

Base : Technopolymer  
Inspection cap : EPDM  
Nut : Stainless Steel A2  
Stage housing : Technopolymer  
Wear ring : Technopolymer  
Washer : Stainless Steel A2  
Diffuser : Technopolymer

**Curve tolerance according to ISO 9906**



**Motor data**

Motor brand : DAB  
Nominal power P2 : 0,56 kW  
Rated voltage : 1~ 220-240 V  
Nominal current : 4,2 A  
Number of poles : 2  
Rated speed : 2.800 1/min  
Degree of protection : IP 68

**Weight :** 11 kg

**Dimensions in mm**

A	160				
H	536				
H1	517				
H2	503				
H3	596				

**Pump connection**

Suction side : /  
Discharge side : 1" G / --



# PERFORMANCE CURVES

2023-04-27

Page 2 / 3

DAB PUMPS S.p.A.  
Via Marco Polo, 14 - 35035 Mestrino (PD), Italy  
Tel. +39 049 5125000 - Fax +39 049 5125950  
www.dabpumps.com

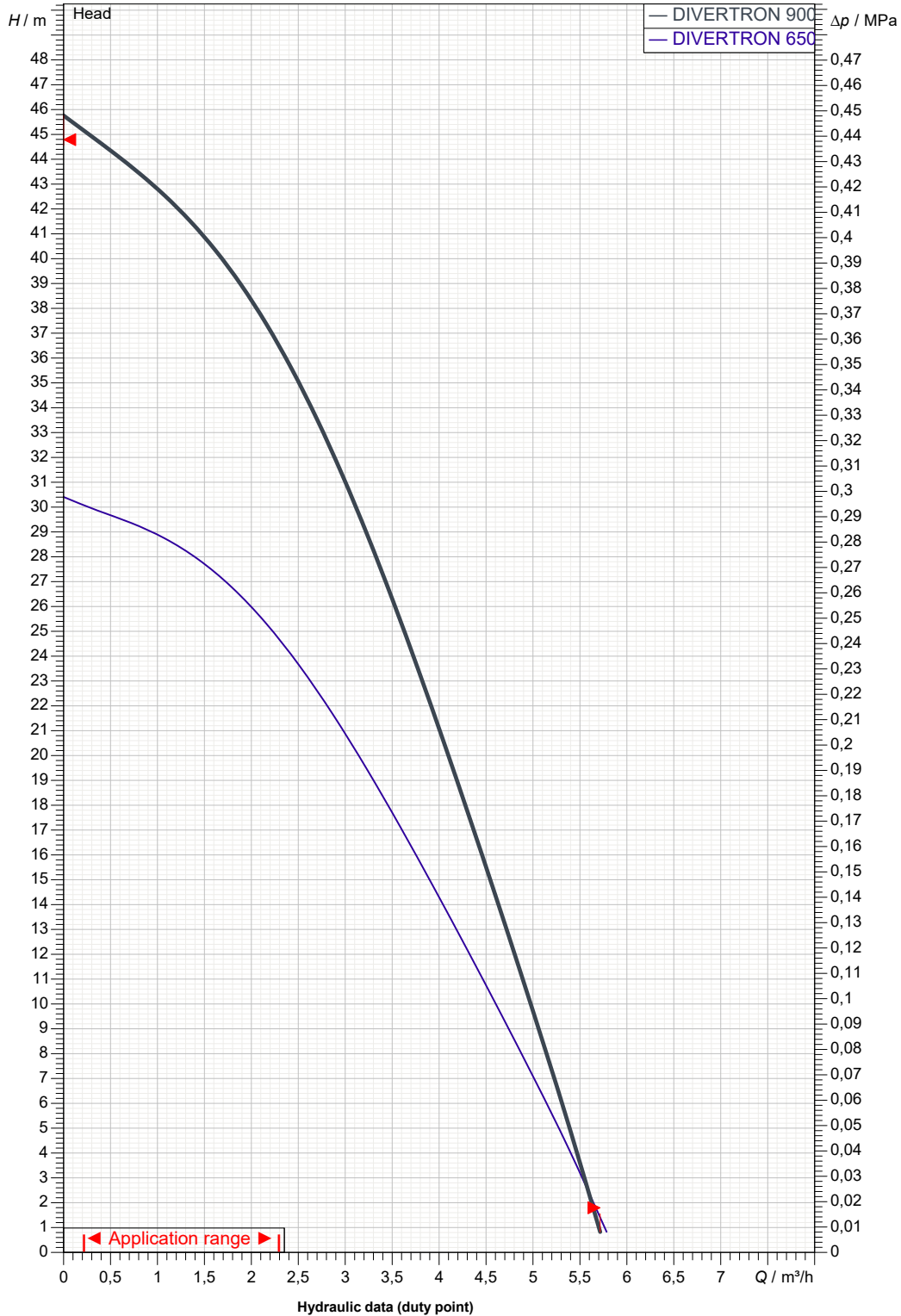
Receiver

From

Company  
Reference  
Address  
Phone  
Fax  
E-mail

## DIVERTRON 900 M

Curve tolerance according to ISO 9906



Suction side :

Discharge side :  
1" G  
--

Flow :

Head :

Rated speed :  
2.800 1/min

MAIN\_PROJECT\_TITLE

BUSINESS\_PROCESS\_ID

OWNER\_

ISSUE\_DATE  
2023-04-27



# DIMENSIONAL DRAWING

2023-04-27

Page 3 / 3

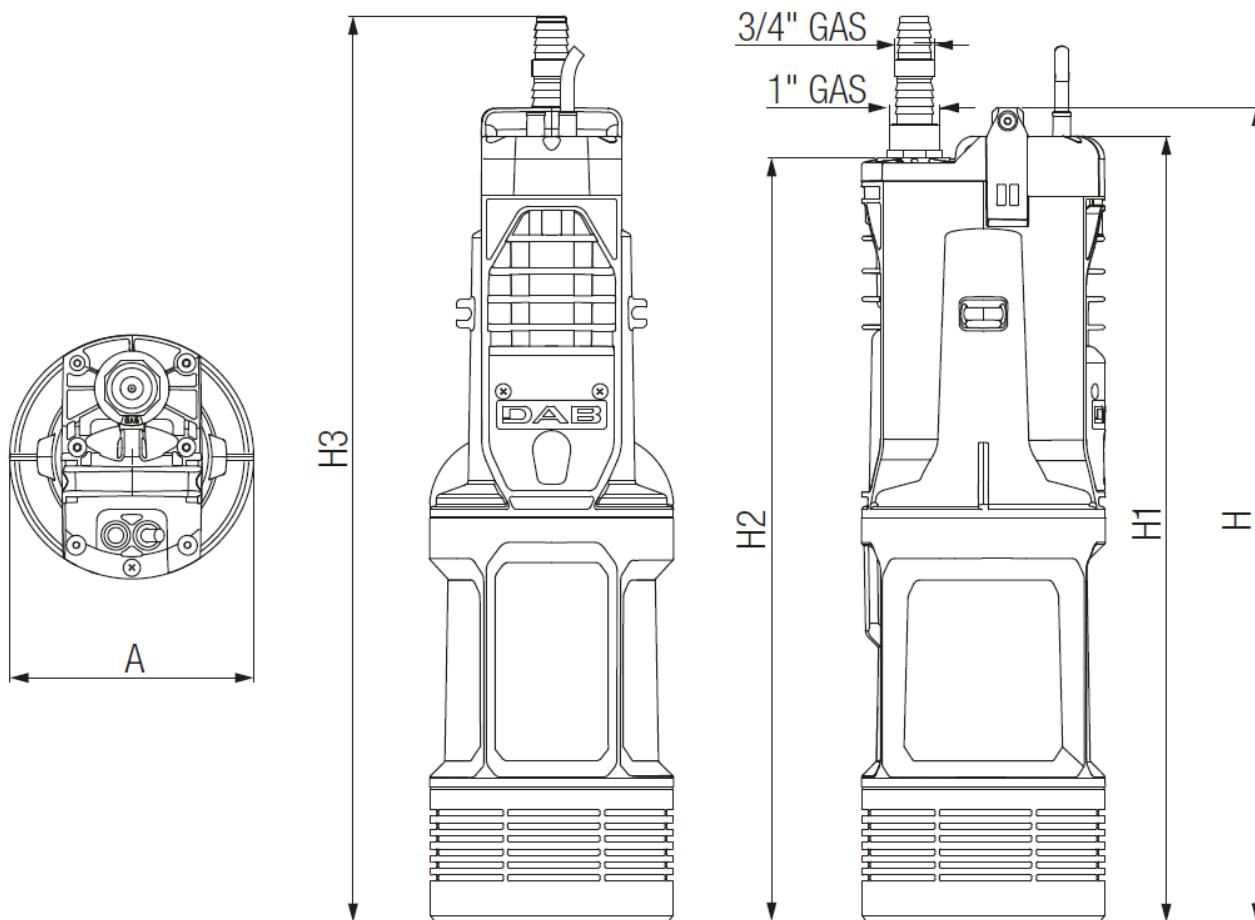
DAB PUMPS S.p.A.  
Via Marco Polo, 14 - 35035 Mestrino (PD), Italy  
Tel. +39 049 5125000 - Fax +39 049 5125950  
www.dabpumps.com

Receiver

From

Company  
Reference  
Address  
Phone  
Fax  
E-mail

## DIVERTRON 900 M



**Dimensions in mm**

**Pump connection**

1  
2  
3  
4  
5  
6  
7  
8  
9  
10  
11

A	160
H	536
H1	517
H2	503
H3	596

Suction

Discharge

1" G

--

MAIN\_PROJECT\_TITLE

BUSINESS\_PROCESS\_ID

OWNER\_

ISSUE\_DATE

2023-04-27