

Receiver
From

 Company
 Reference
 Address
 Phone
 Fax
 E-mail

Item n° :
Customer pos. no.:

60190301

Model :

NKV 1/17 S T E1 IE3

Pump data

MEI ≥ 0,70

Pressure rating : 2,5 MPa

Min. fluid temperature : -30 °C

Max. fluid temperature : 120 °C

Max. Ambient temperature : 50 °C

Requested data

Flow :

Head :

Fluid (%) :

Fluid Temperature : 20 °C

Density : 998,3 kg/m³

Kinematic viscosity : 1,005 mm²/s

Vapor pressure : 0,00 MPa

Real duty point

Flow :

Head :

NPSH :

Shaft power P2 :

Efficiency :

Materials

Pump body : Stainless Steel AISI 304

External sleeve : Stainless Steel AISI 304

Upper flange : Stainless Steel AISI 304

Diffuser body and diffuser : Stainless Steel AISI 304

Pump shaft : Stainless Steel AISI 304

Impeller : Stainless Steel AISI 304

Mechanical seal : SEE "SHAFT SEAL" SECTION

Shaft seal

Type : AISI 316

Stationary part : Carbon

Rotating part : Silicon carbide

Elastomer : EPDM

Motor data

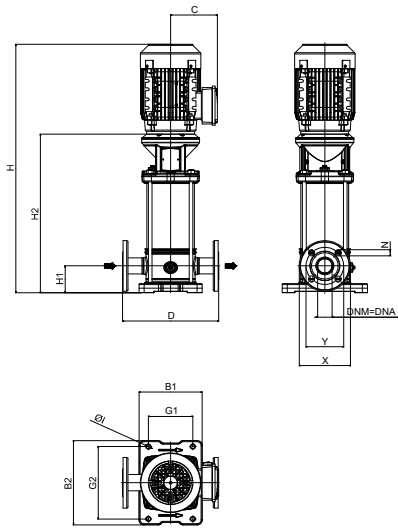
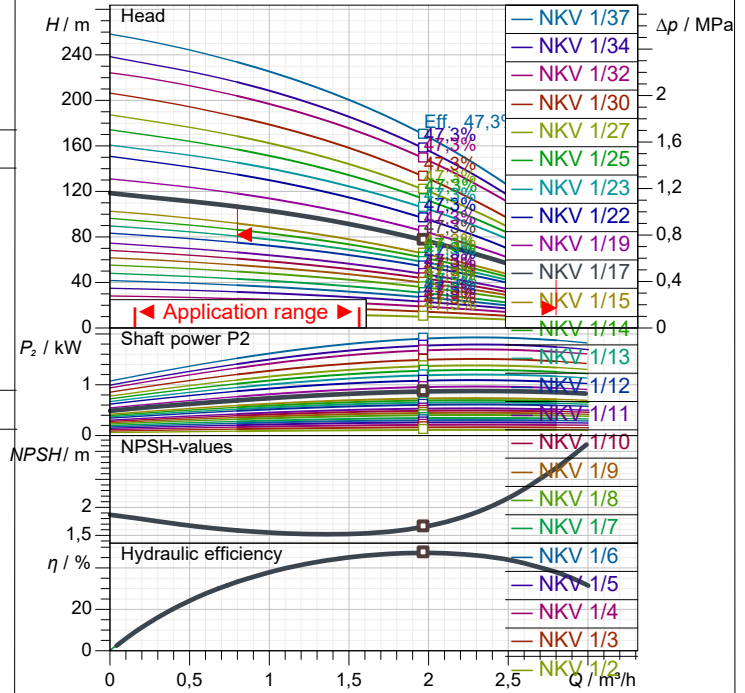
Nominal power P2 : 1,1 kW

Rated speed : 2.870 1/min

Rated voltage : 3~ 400 V 50 Hz

Nominal current : 2,4 A

Degree of protection : IP 55

Curve tolerance according to ISO 9906

Weight : 29,6 kg

Dimensions in mm

B1	150	H	883
B2	210	H1	75
C	129	H2	651
D	250	N	14
DNA	25	ØI	13
DNM	25	X	115
G1	100	Y	85
G2	180		

Pump connection

Suction side : DN 25 / 2,5 MPa

Discharge side : DN 25 / 2,5 MPa

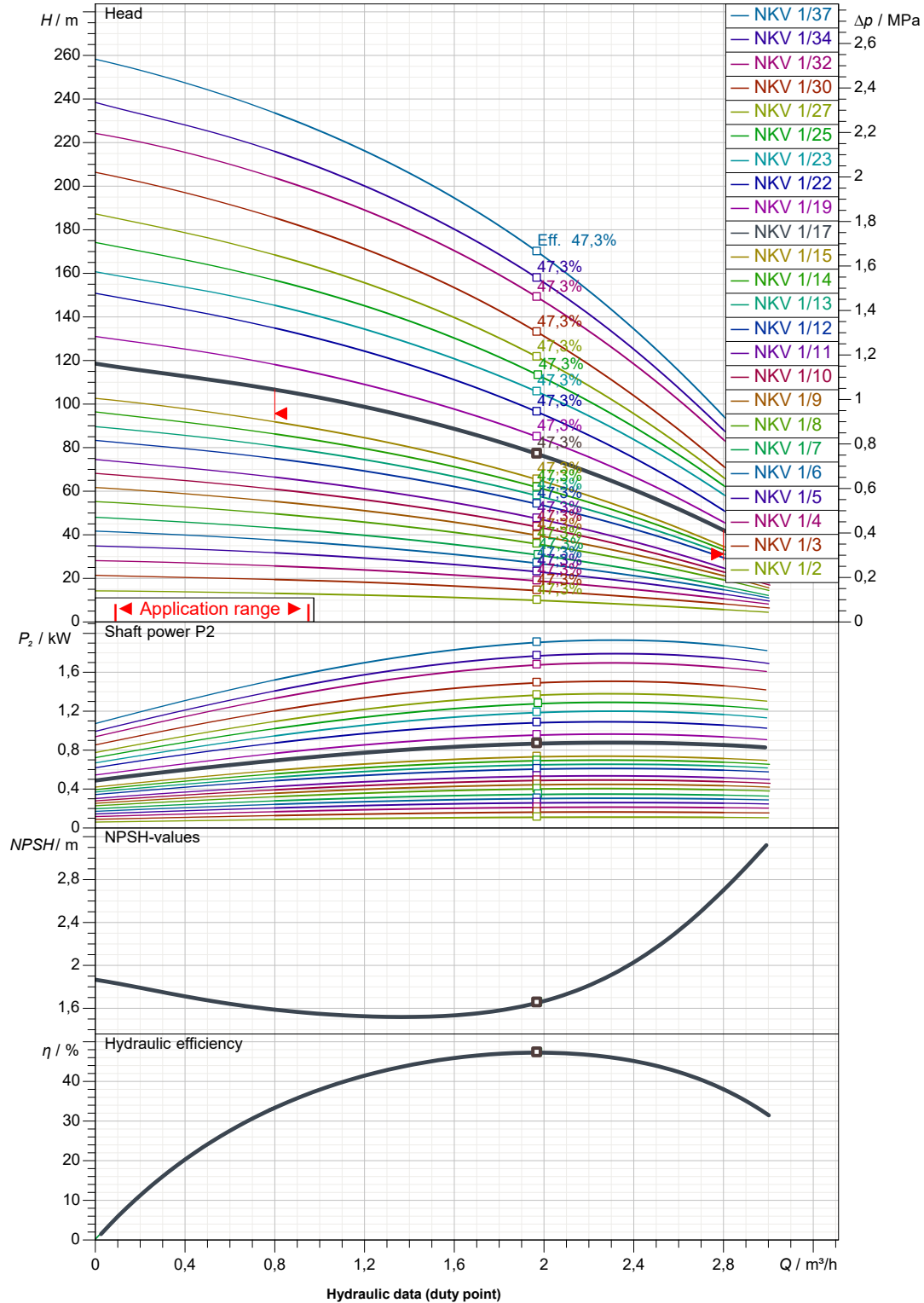
Receiver

From

 Company
 Reference
 Address
 Phone
 Fax
 E-mail

NKV 1/17 S T E1 IE3

Curve tolerance according to ISO 9906


 Suction side :
 DN 25
 2,5 MPa

 Discharge side :
 DN 25
 2,5 MPa

Flow :

Head :

 Rated speed :
 2.870 1/min

MAIN_PROJECT_TITLE

BUSINESS_PROCESS_ID

OWNER_

ISSUE_DATE

2023-04-26



DIMENSIONAL DRAWING

2023-04-26

Page 3 / 3

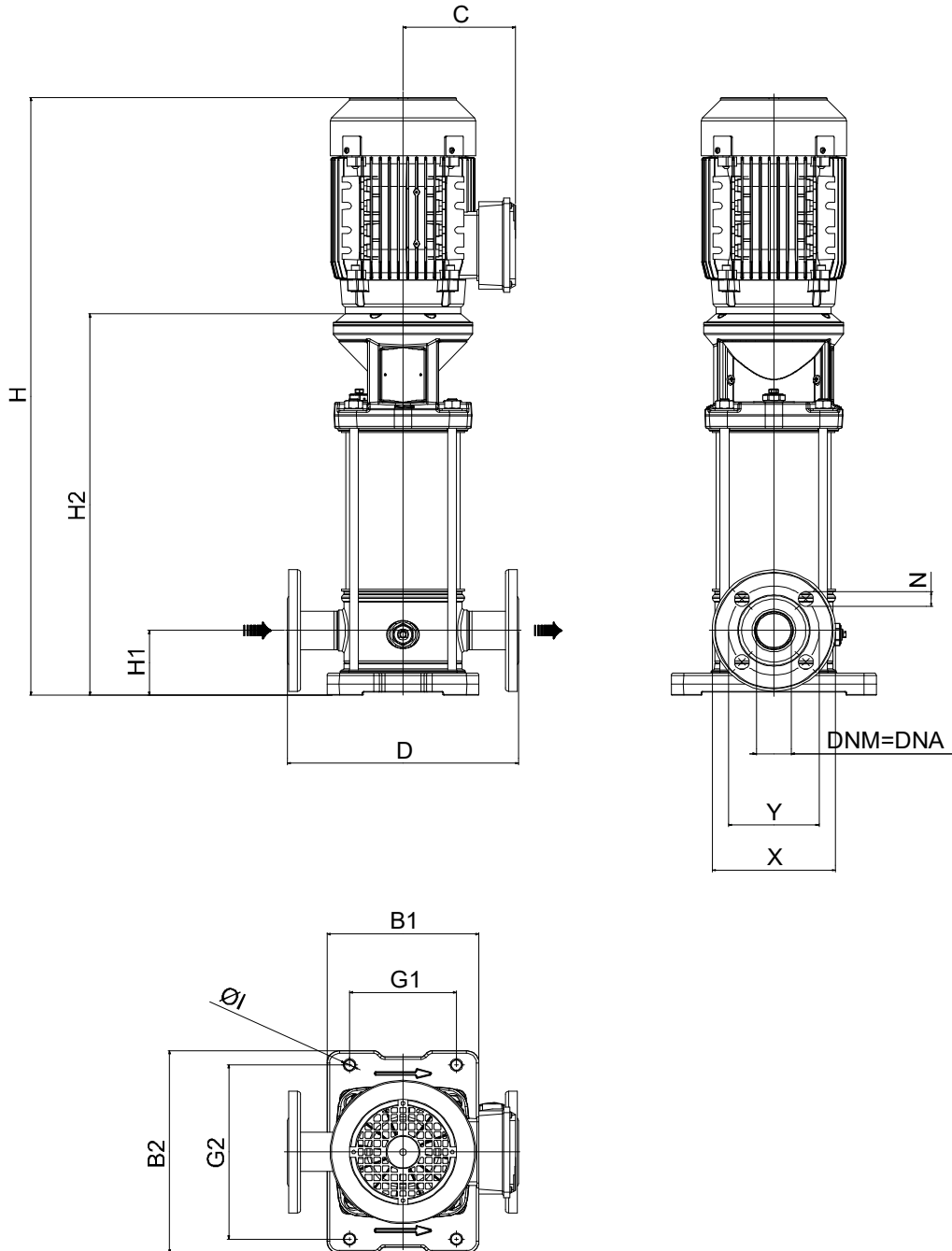
DAB PUMPS S.p.A.
Via Marco Polo, 14 - 35035 Mestrino (PD), Italy
Tel. +39 049 5125000 - Fax +39 049 5125950
www.dabpumps.com

Receiver

From

Company
Reference
Address
Phone
Fax
E-mail

NKV 1/17 S T E1 IE3



Dimensions in mm						Pump connection
1	B1	150	N	14		Suction DN 25 2,5 MPa
2	B2	210	ØI	13		
3	C	129	X	115		
4	D	250	Y	85		
5	DNA	25				Discharge DN 25 2,5 MPa
6	DNM	25				
7	G1	100				
8	G2	180				
9	H	883				
10	H1	75				
11	H2	651				

MAIN_PROJECT_TITLE	BUSINESS_PROCESS_ID	OWNER	ISSUE_DATE 2023-04-26
--------------------	---------------------	-------	--------------------------