

CP 3045 HT 3~ 252

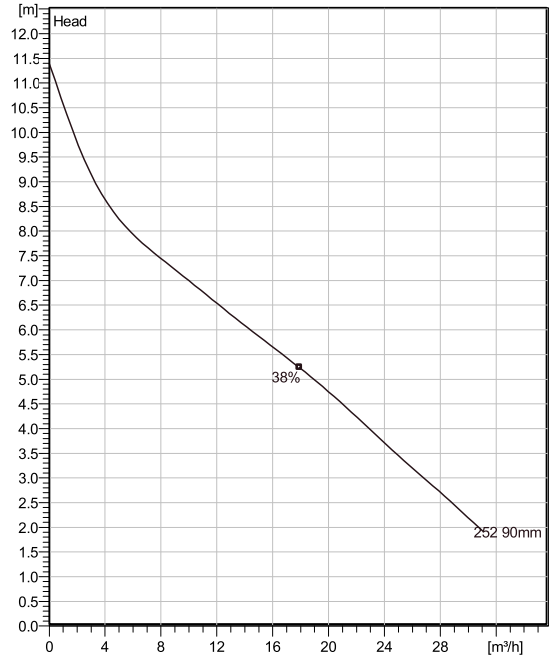
Shrouded single or multi-channel impeller pumps with large throughlets and single volute pump casing for liquids containing solids and fibres. Cast iron design with double sealing technology. Some models available as stainless steel versions.



Technical specification



Curves according to: Water, pure [100%], 4 °C, 1 kg/dm³, 1.569 mm²/s



Nominal (mean) data shown. Under- and over-performance from this data should be expected due to standard manufacturing tolerances. Please consult your local Flygt representative for performance guarantees.

Configuration

Motor number C3045.181 12-08-2BB-W 1.2KW	Installation type P - Semi permanent, Wet
Impeller diameter 90 mm	Discharge diameter 50 mm

Pump information

Impeller diameter 90 mm
Discharge diameter 50 mm
Inlet diameter 50 mm
Maximum operating speed 2785 1/min
Number of blades 1
Max. fluid temperature 40 °C

Materials

Impeller Polyamide 66
Stator housing material Grey cast iron

Project Xylect-20587444
Block

Created by Vilma Razumaite
Created on 5/18/2023 **Last update** 5/18/2023

CP 3045 HT 3~ 252

Technical specification



Motor - General

Motor number C3045.181 12-08-2BB-W 1.2KW	Phases 3~	Rated speed 2785 1/min	Rated power 1.2 kW
Approval No	Number of poles 2	Rated current 2.8 A	Stator variant 2
Frequency 50 Hz	Rated voltage 400 V	Insulation class F	Type of Duty S1
Version code 181			

Motor - Technical

Power factor - 1/1 Load 0.79	Motor efficiency - 1/1 Load 78.5 %	Total moment of inertia 0.0013 kg m ²	Starts per hour max. 15
Power factor - 3/4 Load 0.70	Motor efficiency - 3/4 Load 79.0 %	Starting current, direct starting 17 A	
Power factor - 1/2 Load 0.55	Motor efficiency - 1/2 Load 77.0 %	Starting current, star-delta 5.67 A	

Project Xylect-20587444
Block

Created by Vilma Razumaite
Created on 5/18/2023 **Last update** 5/18/2023

CP 3045 HT 3~ 252

Performance curve

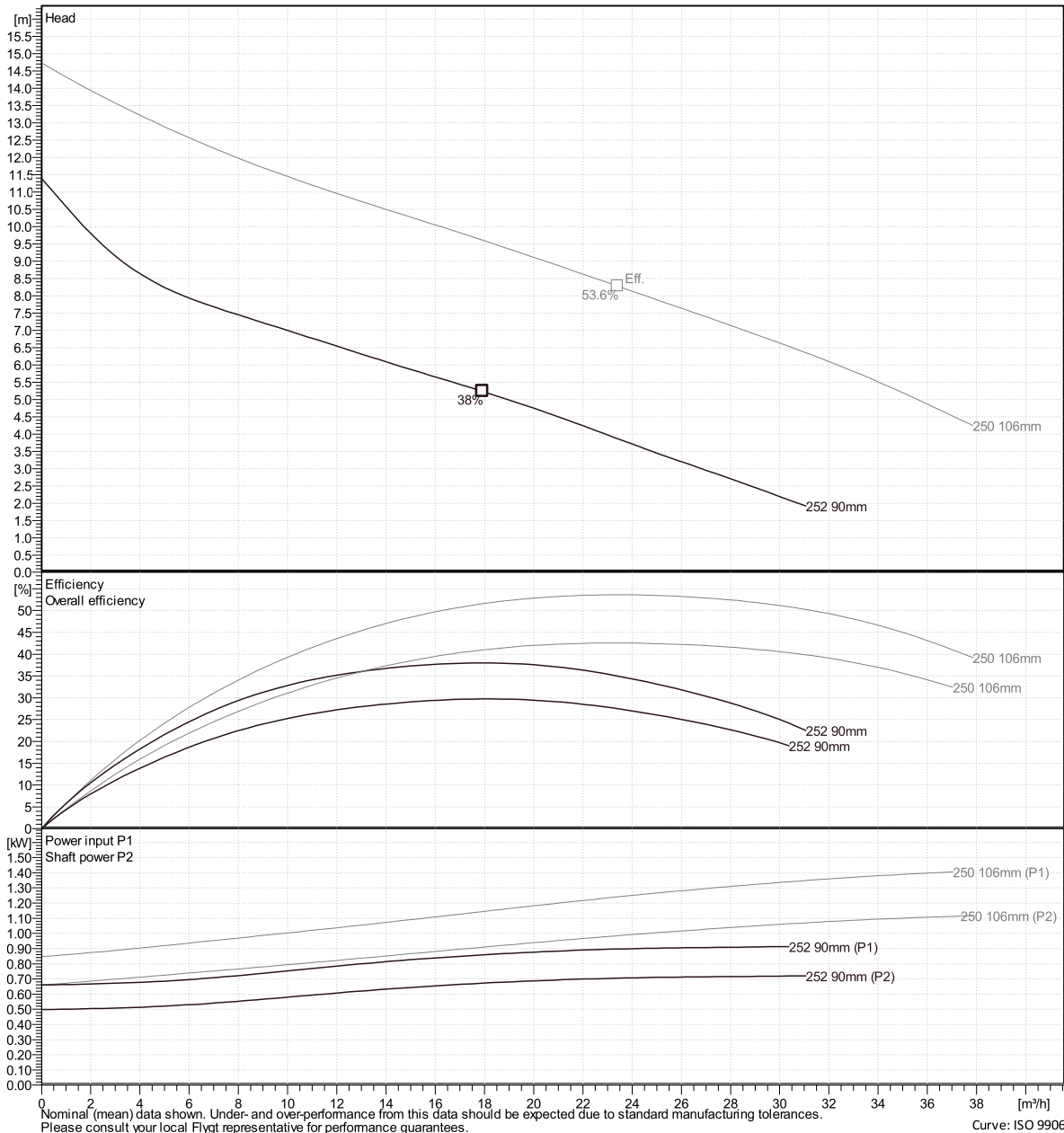


Duty point

Flow

Head

Curves according to: Water, pure [100%], 4 °C, 1 kg/dm³, 1.569 mm²/s



Nominal (mean) data shown. Under- and over-performance from this data should be expected due to standard manufacturing tolerances. Please consult your local Flygt representative for performance guarantees. Curve: ISO 9906

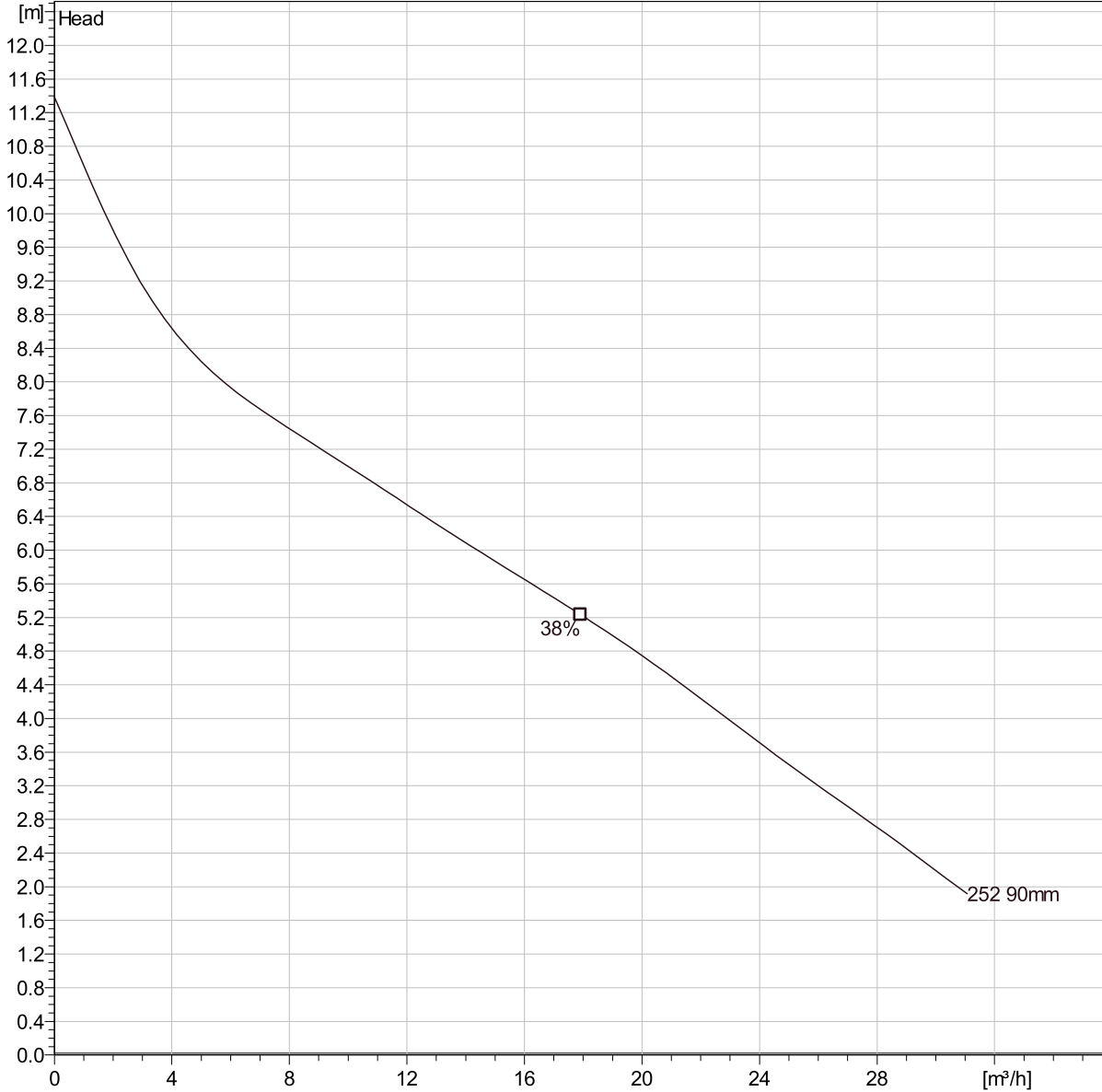
Project	Xylect-20587444	Created by	Vilma Razumaite
Block		Created on	5/18/2023
		Last update	5/18/2023

CP 3045 HT 3~ 252

Duty Analysis



Curves according to: Water, pure, 4 °C, 1 kg/dm³, 1.569 mm²/s



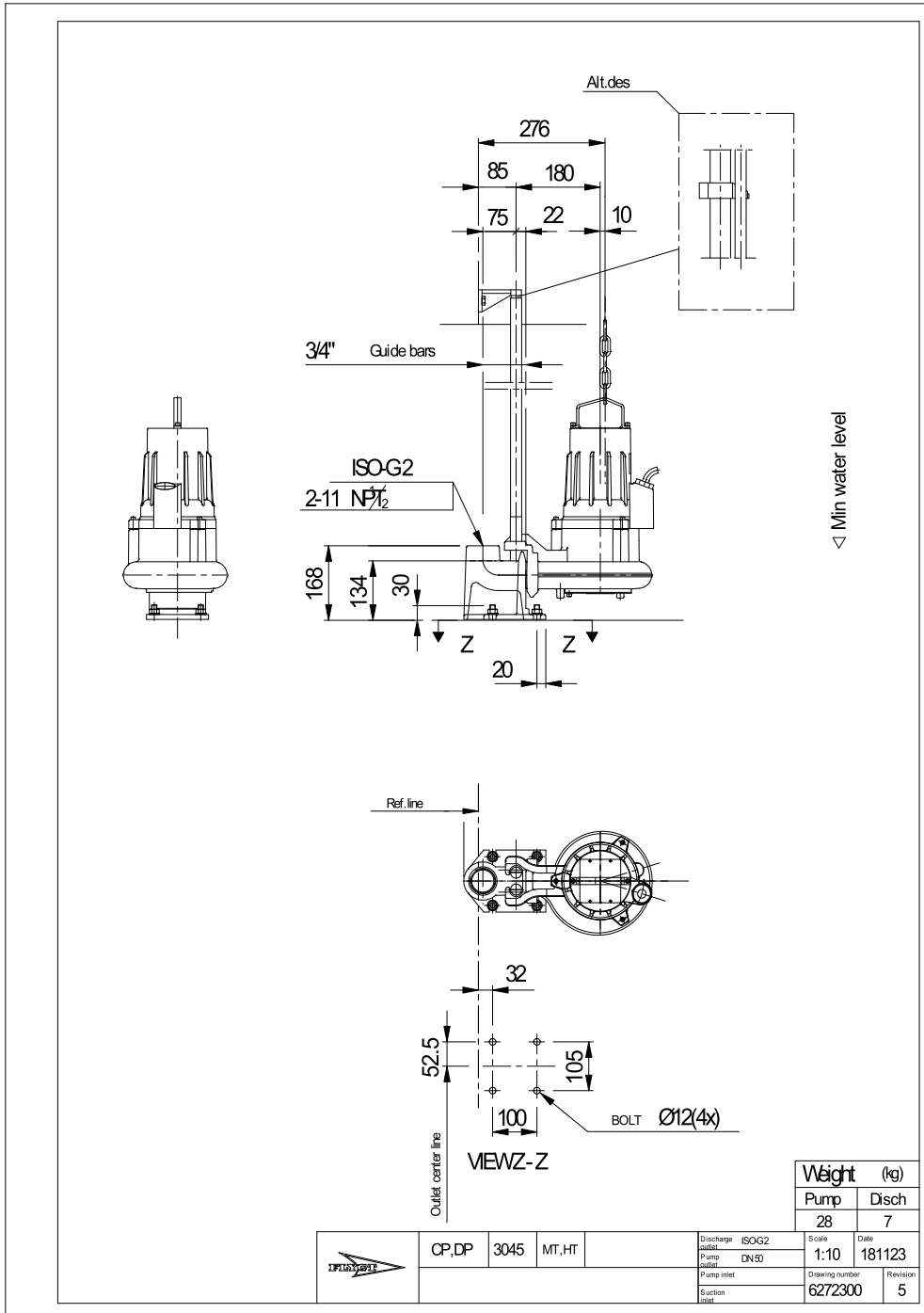
Operating characteristics

Pumps / Systems	Flow	Head	Shaft power	Flow	Head	Shaft power	Hydr.eff.	Specific Energy	NPSHre
-----------------	------	------	-------------	------	------	-------------	-----------	-----------------	--------

Project	Xylect-20587444	Created by	Vilma Razumaite
Block		Created on	5/18/2023
		Last update	5/18/2023

CP 3045 HT 3~ 252

Dimensional drawing



Project Xylect-20587444
Block

Created by Vilma Razumaite
Created on 5/18/2023 Last update

5/18/2023