

Receiver

From

Company
Reference
Address
Phone
Fax
E-mail

Item n° : 103040080
Customer pos. no.:
Model : FEKA VS 1000 M - A

Pump data

Free passage : 50 mm
Pressure rating :
Min. fluid temperature : 0
Max. fluid temperature : 50 °C
Max. Ambient temperature : 40 °C

Requested data

Flow :
Head :
Fluid : Water
Fluid Temperature : 20 °C
Density : 998,3 kg/m³
Kinematic viscosity : 1,005 mm²/s
Vapor pressure : 0,00234 MPa

Hydraulic data (duty point)

Flow :
Head :

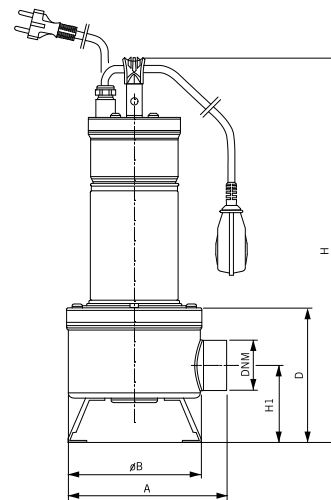
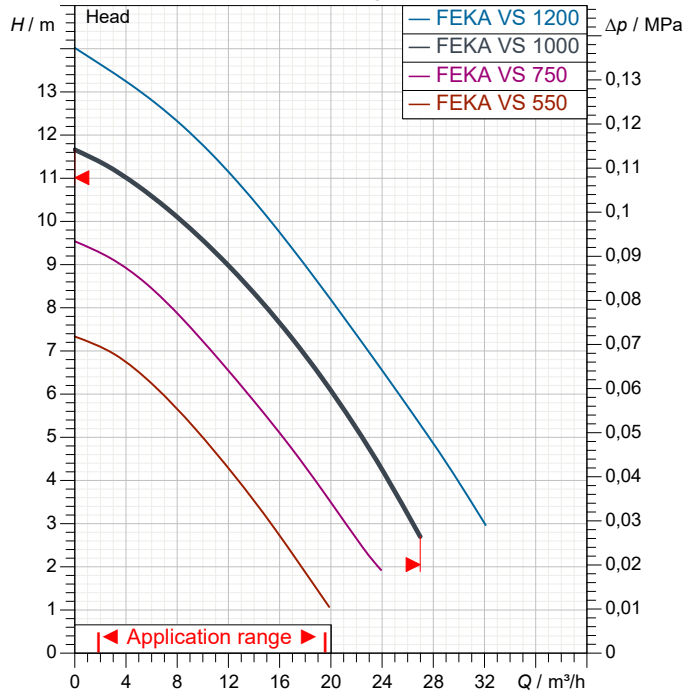
Materials

Pump body : Stainless Steel (AISI 304)
Impeller : Stainless Steel (AISI 304)
Motor shaft : AISI 316
Seal disk : Stainless Steel (AISI 304)
Motor casing : Stainless Steel (AISI 304)
Mechanical seal pump side : Silicon carbide/Silicon carbide
Mechanical seal motor side : Carbon/Alumina

Motor data

Motor brand : DAB
Nominal power P2 : 1 kW
Rated speed : 2.800 1/min
Rated voltage : 1~ 220-240 V 50 Hz
Nominal current : 6,63 A
Degree of protection : IP 68

Curve tolerance according to ISO 9906



Weight : 19,3 kg

Dimensions in mm

A	203				
B	170				
D	172				
DNM	2" F				
H	537				
H1	98				

Pump connection

Suction side : /
Discharge side : 2" GAS / --

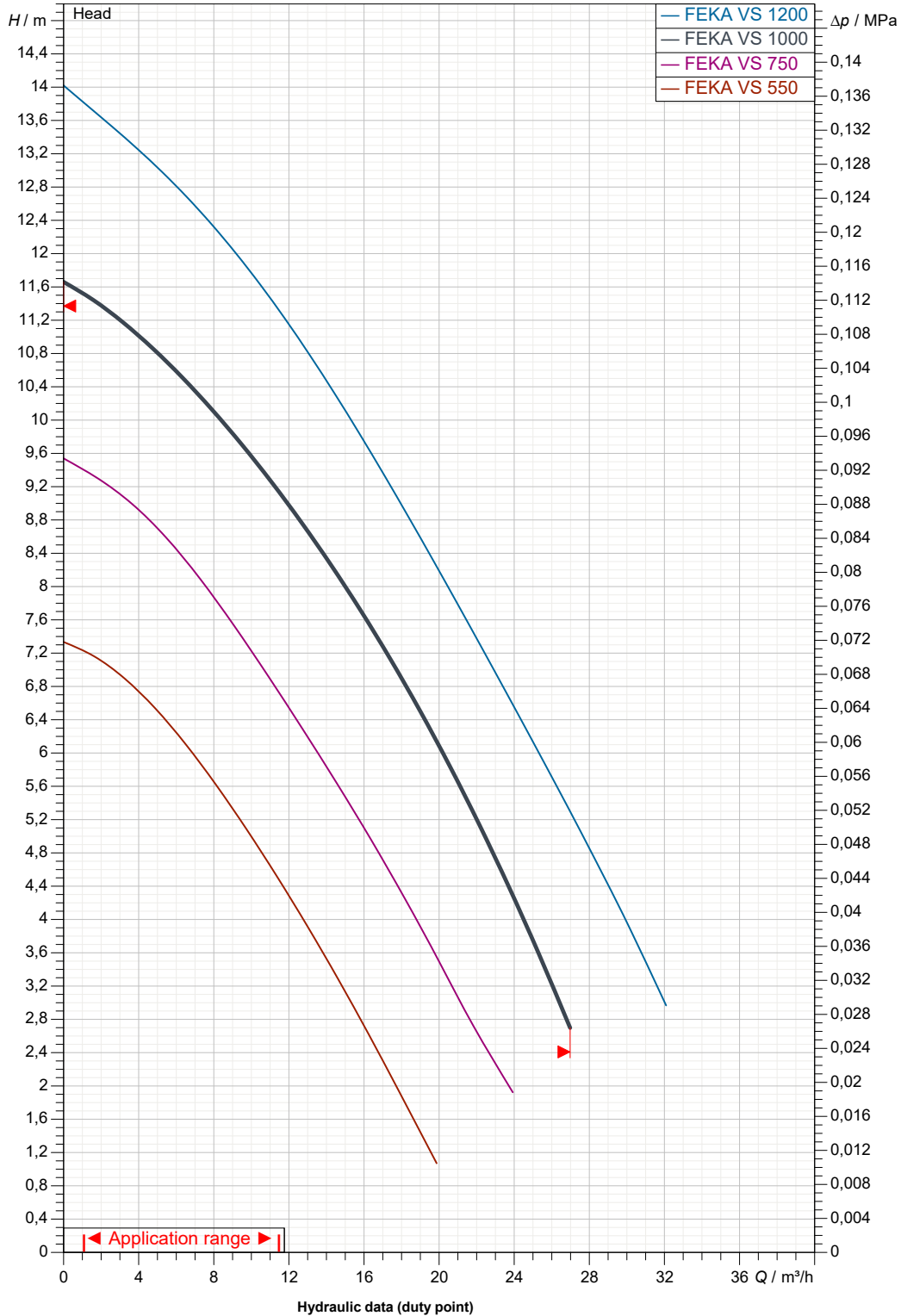
Receiver

From

 Company
 Reference
 Address
 Phone
 Fax
 E-mail

FEKA VS 1000 M - A

Curve tolerance according to ISO 9906



Suction side :

 Discharge side :
 2" GAS
 --

Flow :

Head :

 Rated speed :
 2.800 1/min

MAIN_PROJECT_TITLE

BUSINESS_PROCESS_ID

OWNER_

 ISSUE_DATE
 2023-07-27



DIMENSIONAL DRAWING

2023-07-27

Page 3 / 3

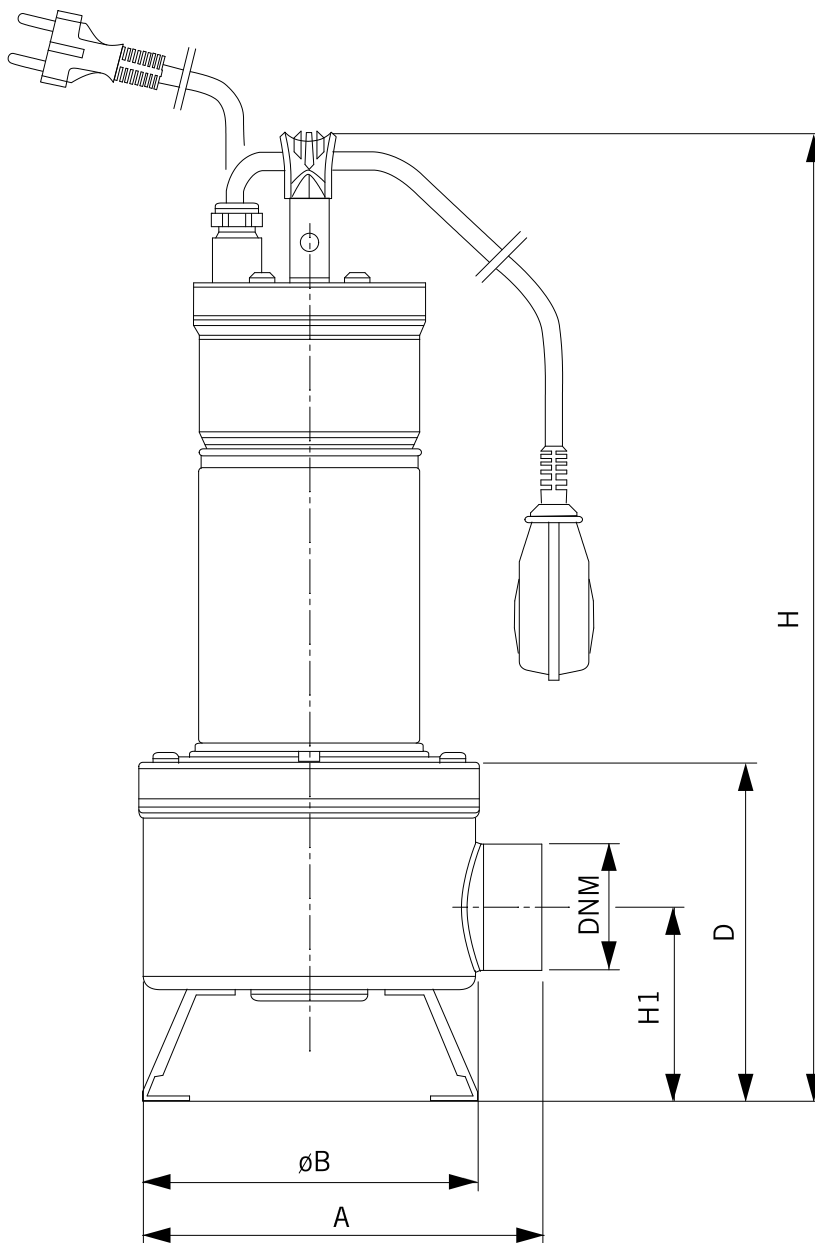
DAB PUMPS S.p.A.
Via Marco Polo, 14 - 35035 Mestrino (PD), Italy
Tel. +39 049 5125000 - Fax +39 049 5125950
www.dabpumps.com

Receiver

From

Company
Reference
Address
Phone
Fax
E-mail

FEKA VS 1000 M - A



Dimensions in mm			Pump connection			
1	A	203				
2	B	170				Suction
3	D	172				
4	DNM	2" F				
5	H	537				Discharge
6	H1	98				2" GAS
7						--
8						
9						
10						
11						

MAIN_PROJECT_TITLE	BUSINESS_PROCESS_ID	OWNER	ISSUE_DATE 2023-07-27
--------------------	---------------------	-------	--------------------------