

Receiver

From

Company
Reference
Address
Phone
Fax
E-mail

Item n° : 60185581
Customer pos. no.:

Model :
GENIX WL 130

Pump data

Min. fluid temperature : 0 °C
Max. fluid temperature : 50 °C
Max. Ambient temperature : 25 °C
Min. Temperature operating : 5 °C
Max Flow : 6,9 m³/h
Max. Head : 8 m
Max. Head (EN12050-3) : 6 m

Requested data

Flow :
Head :
Fluid : Water
Fluid Temperature : 20 °C
Density : 998,3 kg/m³
Kinematic viscosity : 1,005 mm²/s
Vapor pressure : 0,00234 MPa

Hydraulic data (duty point)

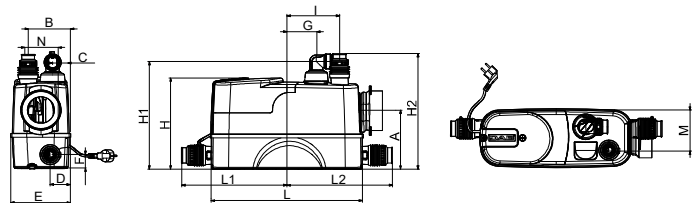
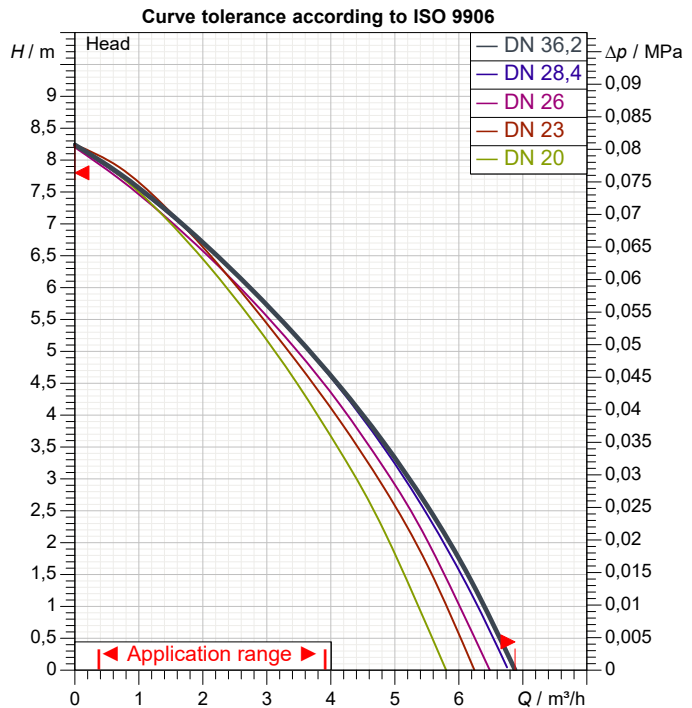
Flow :
Head :

Materials

Impeller : Polypropylene 30% fiber glass
Tank : Polypropylene 30% Barium
Shaft : Stainless steel
Cover : Stainless steel
Grinder : AISI 304/420
Soundproofing (COMFORT) : Polypropylene 70% Barium
O-Ring : NBR

Motor data

Motor brand : DAB
Nominal power P2 : 0,32 kW
Rated speed : 2.900 1/min
Rated voltage : 1~ 230 V
Nominal current : 2,3 A
Degree of protection : IP 44



Weight : 10,3 kg

Dimensions in mm

A	183	G	178	L1	322		
B	118	H	277	L2	307		
C	45	H1	323	M	118		
D	60	H2	351	N	87		
E	178	I	170				
F	42	L	456				

Pump connection

DN 22/25/28/32/36/40



PERFORMANCE CURVES

2023-07-27

Page 2 / 3

DAB PUMPS S.p.A.
Via Marco Polo, 14 - 35035 Mestrino (PD), Italy
Tel. +39 049 5125000 - Fax +39 049 5125950
www.dabpumps.com

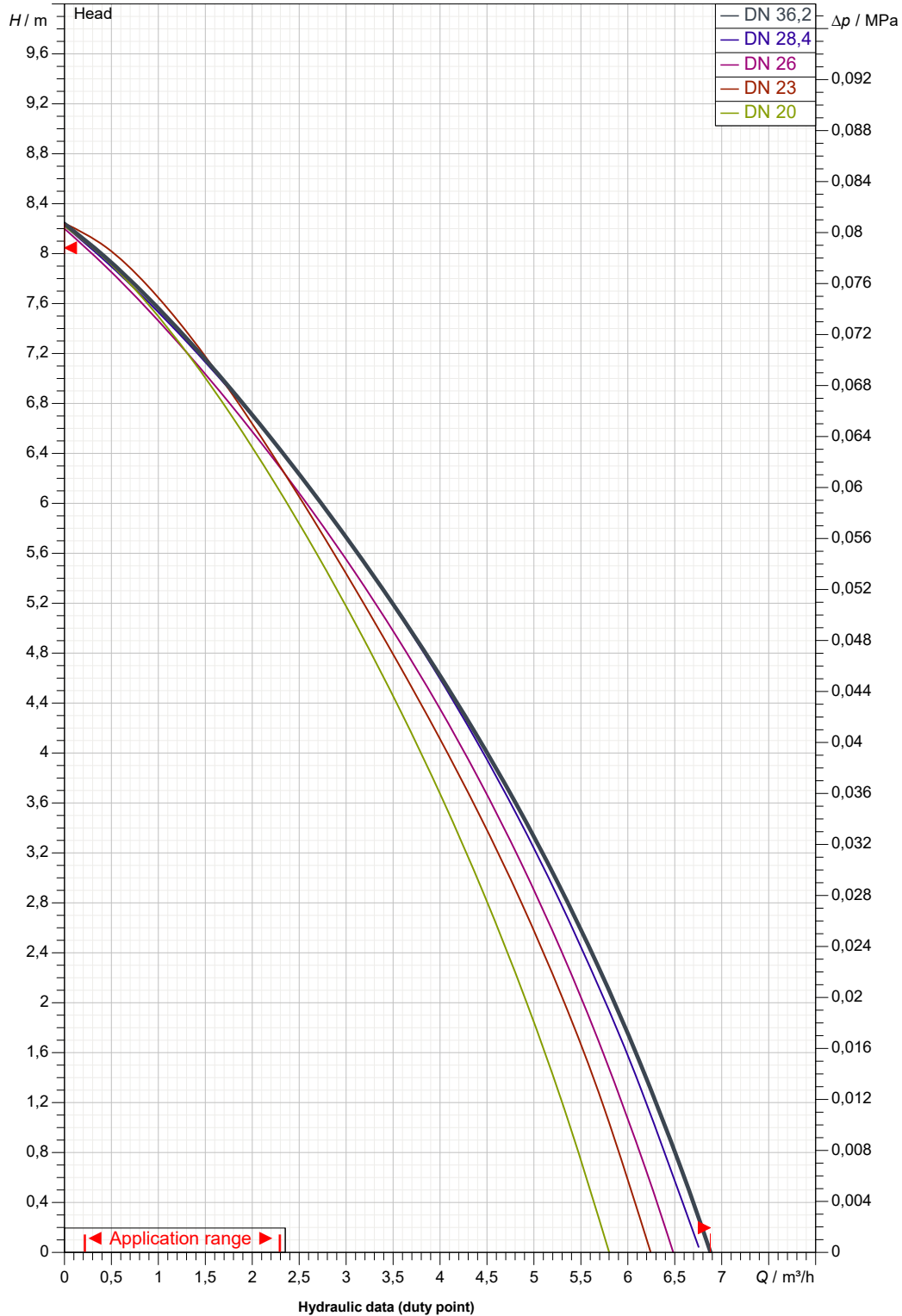
Receiver

From

Company
Reference
Address
Phone
Fax
E-mail

GENIX WL 130

Curve tolerance according to ISO 9906



Suction side :

Discharge side :

Flow :

Head :

Rated speed :
2.900 1/min

MAIN_PROJECT_TITLE

BUSINESS_PROCESS_ID

OWNER_

ISSUE_DATE
2023-07-27



DIMENSIONAL DRAWING

2023-07-27

Page 3 / 3

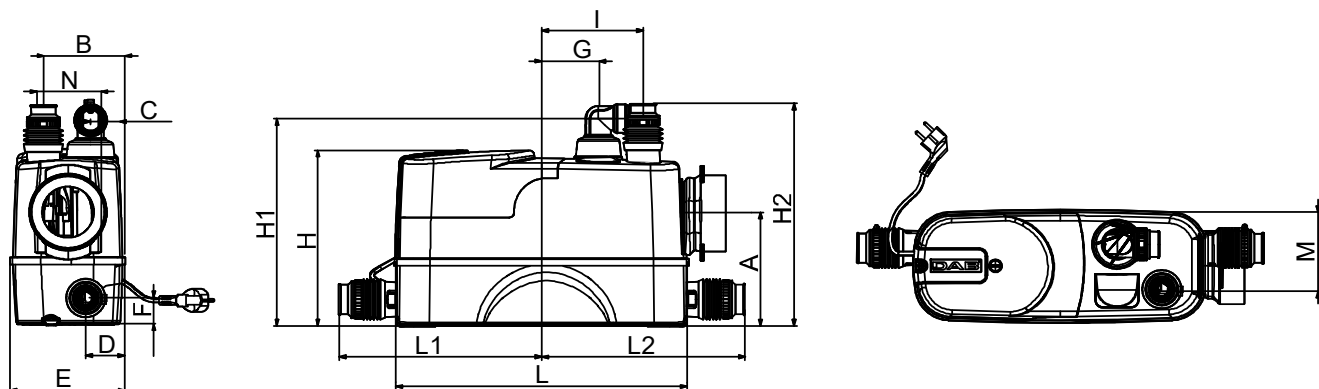
DAB PUMPS S.p.A.
Via Marco Polo, 14 - 35035 Mestrino (PD), Italy
Tel. +39 049 5125000 - Fax +39 049 5125950
www.dabpumps.com

Receiver

From

Company
Reference
Address
Phone
Fax
E-mail

GENIX WL 130



Dimensions in mm					Pump connection	
1	A	183	L	456	Suction Discharge	
2	B	118	L1	322		
3	C	45	L2	307		
4	D	60	M	118		
5	E	178	N	87		
6	F	42				
7	G	178				
8	H	277				
9	H1	323				
10	H2	351				
11	I	170				

MAIN_PROJECT_TITLE	BUSINESS_PROCESS_ID	OWNER_	ISSUE_DATE 2023-07-27
--------------------	---------------------	--------	---------------------------------